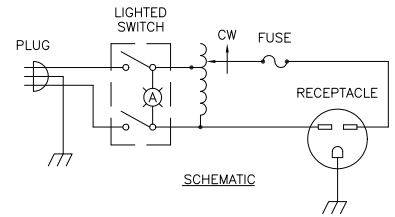
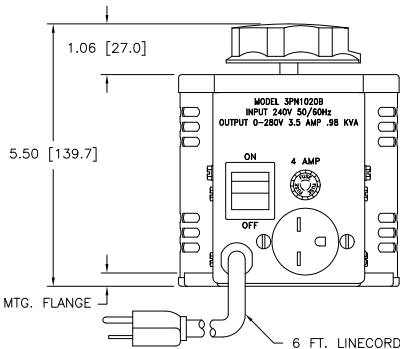
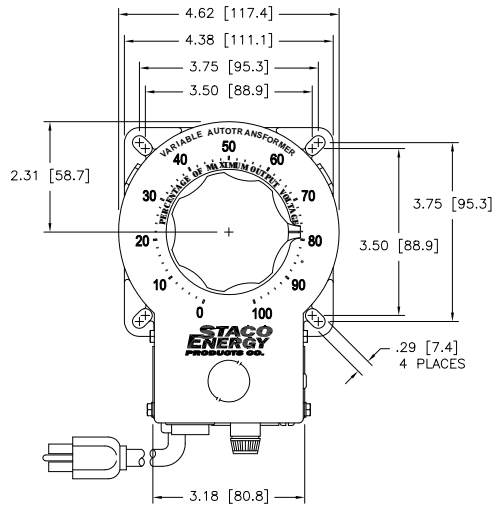
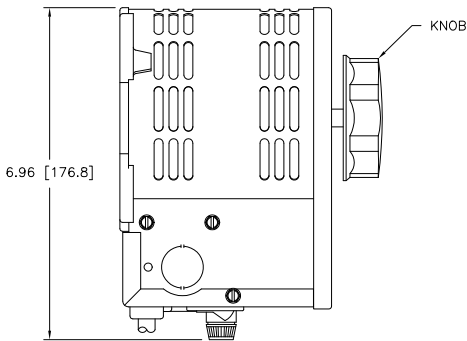


REV	NO.	031-2344
REVISED		
REV	DATE	APP.
A	24336 3/12/01	
REVISED SILKSCREEN		



	SPECIFICATIONS				
	INPUT		OUTPUT		
	VOLTS	HERTZ	VOLTS	CONSTANT CURRENT LOAD	
WIRING	240	50/60	0-280	MAX. AMPS	
				MAX. KVA	
SINGLE PHASE	240	50/60	0-280	3.5	.98

UNLESS OTHERWISE SPECIFIED, TOLERANCE IS: DIMENSIONS: FRACTIONS DECIMALS ANGLES 1/16" 0.031" 0.005" 1/16"		STAGO ENERGY PRODUCTS, INC.
DESIGNED BY: S.A. SMITH	DATE: 10/11/99	REF. USED ON: 3PN1020B
DRAWN BY: [blank]	DATE: [blank]	DATE MADE: 3/30/01
CHECKED BY: [blank]	DATE: [blank]	WEIGHT: 10.25 LBS.
MATERIALS: [blank]		REV. NO. D
QUANTITY: 1-1		REV. NO. 031-2344

