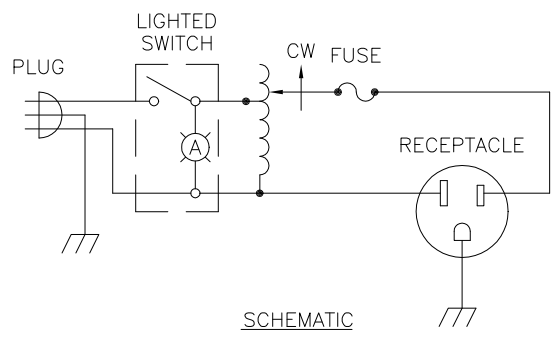
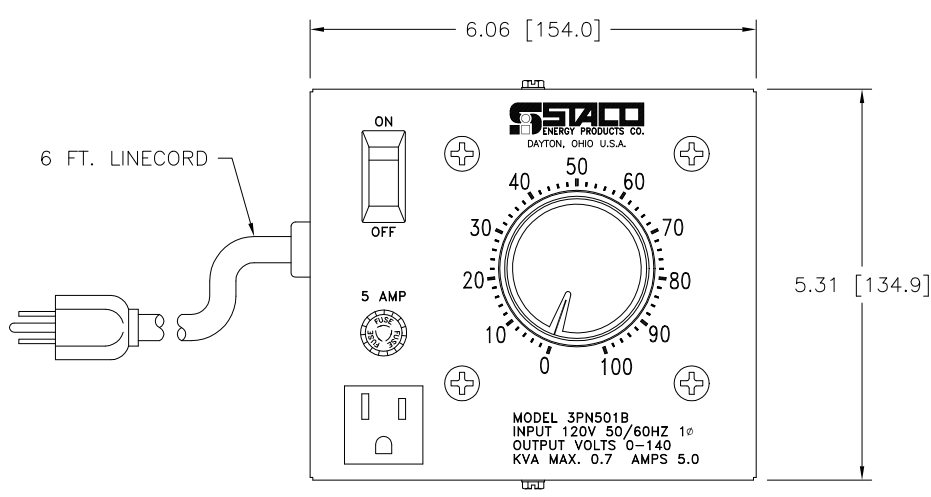
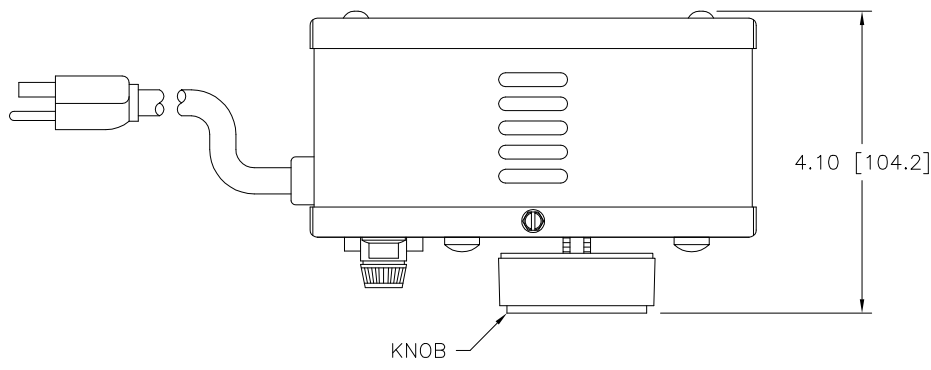


DWG. NO.	031-0835		
REV. NO.	C		
REVISIONS			
SYM.	E.C.N.	DATE	APVD.
A	23948	3/26/99	
CHG'D MOUNTING			



SPECIFICATIONS					
WIRING	INPUT		OUTPUT		
	VOLTS	HERTZ	VOLTS	CONSTANT CURRENT LOAD	
				MAX. AMPS	MAX. KVA
SINGLE PHASE	120	50/60	0-140	5	0.7

UNLESS OTHERWISE SPECIFIED, TOLERANCE IS *		UNITS		TITLE: SPEC. CONTROL DRAWING VARIABLE TRANSFORMER MODEL: 3PN501B	
DECIMALS	Holes	ANGLES	DRAFT		
.XX .XXX .03 .002	.002	1°	1:4/2°		
MATERIAL:		ALL DIMENSIONS APPLY AFTER PLATING		DRAWN BY: S.A. SMITH CHECKER: DATE: DATE: DATE: ENGINEER: DATE: DATE: DATE:	FIRST USED ON: 3PN501B WEIGHT APPROX: 6.25 LBS SCALE: 1=1 SHEET 1 of 1
The information and design disclosed herein was originated by and is the property of STACO ENERGY PRODUCTS CO., which reserves all patent, proprietary, design, manufacturing, reproduction, use and sale rights therein, and to any article disclosed therein except to the extent rights are expressly granted to others. The foregoing does not apply to vendor proprietary parts.				DO NOT SCALE DWG. CODE IDENT. NO. SUBJOB DWG. NO. 031-0835	CUSTOMER APPROVAL: _____ DATE: _____