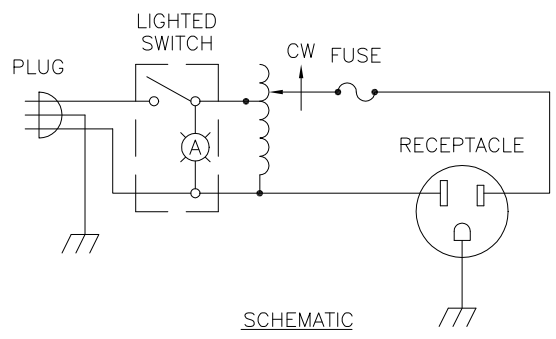
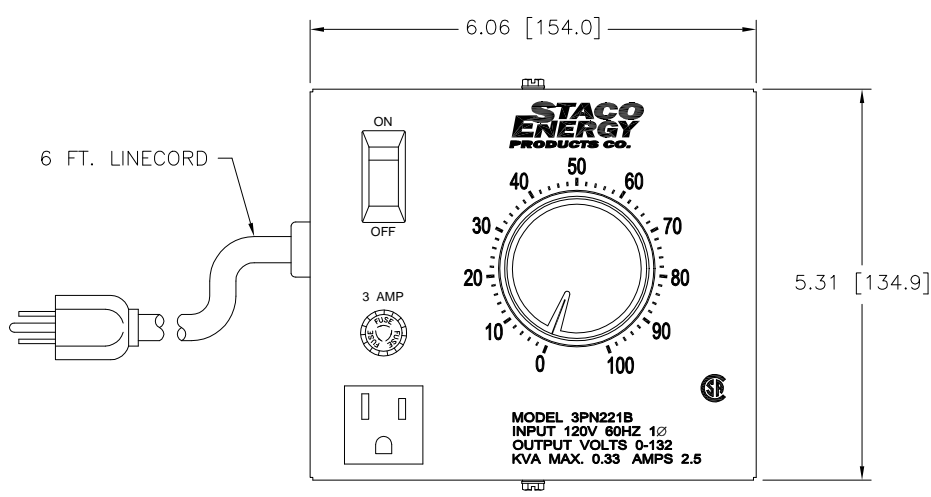
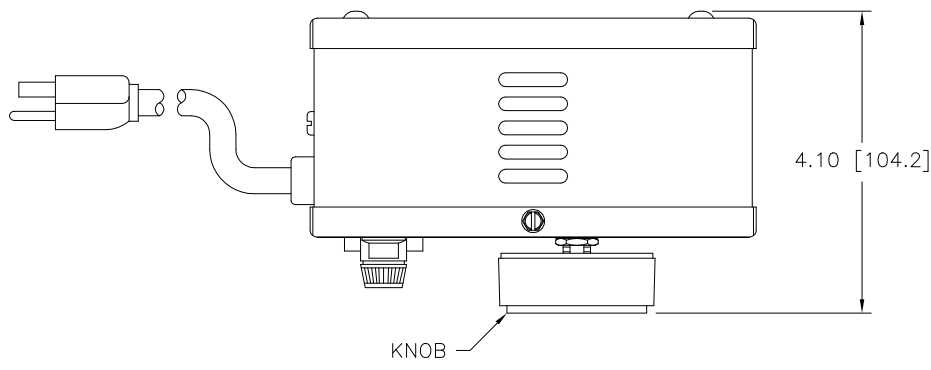


DWG. NO.	031-0157		
REV. NO.	C		
REVISIONS			
SYM.	E.C.N.	DATE	APVD.
A	25165	7/8/03	ADDED CSA LOGO



SPECIFICATIONS					
WIRING	INPUT		OUTPUT		
	VOLTS	HERTZ	VOLTS	CONSTANT CURRENT LOAD	
				MAX. AMPS	MAX. KVA
SINGLE PHASE	120	60	0-132	2.50	0.33

UNLESS OTHERWISE SPECIFIED, TOLERANCE IS #		UNITS		TITLE	
DECIMALS	HOLES	ANGLES	DRAFT	IN [mm]	
.XX .005	.03 .002	1°	1-1/2°	SPEC. CONTROL DRAWING	
MATERIAL:		ALL DIMENSIONS APPLY AFTER PLATING		VARIABLE TRANSFORMER	
The information and design disclosed herein was originated by and is the property of STACO ENERGY PRODUCTS CO., which reserves all patent, proprietary, design, manufacturing, reproduction, use and sale rights therein, and to any article fabricated therefrom except to the extent rights are expressly granted to others. The foregoing does not apply to vendor proprietary parts.		DRAWN BY	DATE	FIRST USED ON	DO NOT SCALE DWG.
		S.A. SMITH	1/23/97		
		CHECKER	DATE	WEIGHT APPROX.	CAGE CODE
		ENGINEER	DATE	4.50 LBS	83008
				SCALE	1=1
				SHEET	1 OF 1
				DWG. NO.	031-0157

