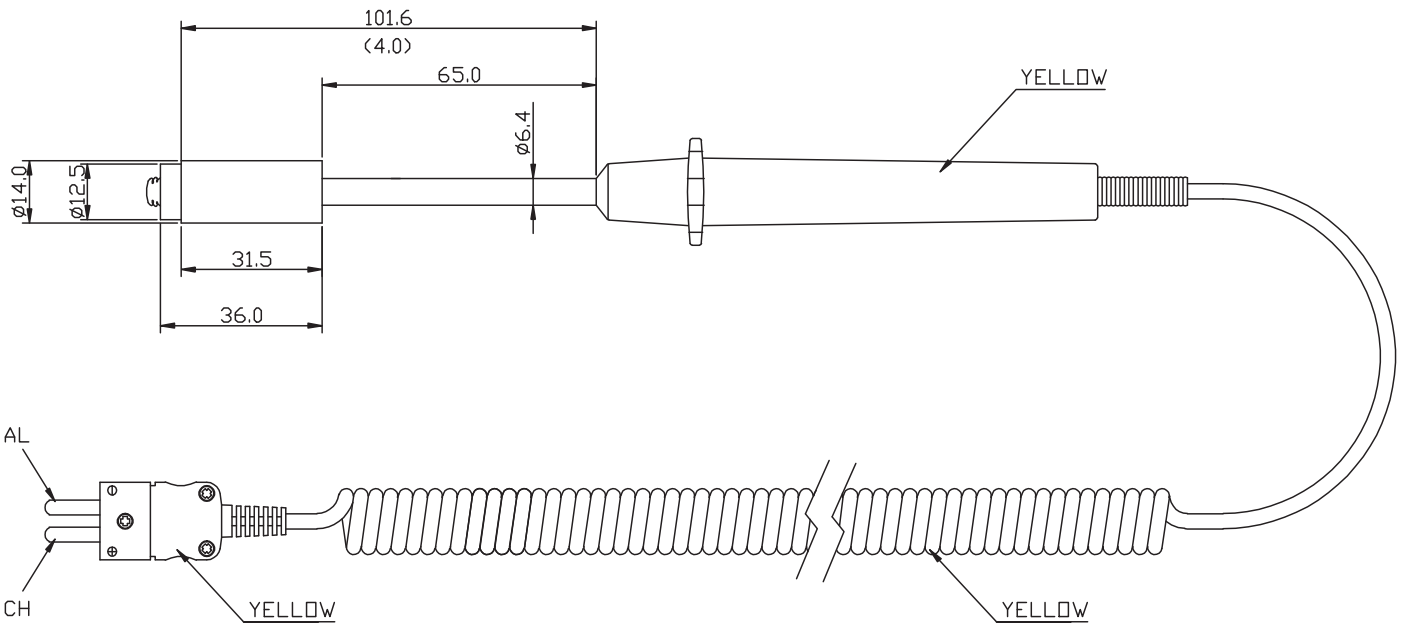


TYPE	SENSOR	CONNECTOR	RANGE	STEM LENGTH	DIAMETER	LEAD LENGTH	MATERIAL
CONTACT(SURFACE)	K-TYPE	SUB-MINI	-50C TO 650C	4in	6.4m/m	1 meter	CH(+), AL(-)



mm
(inch)

Copyright © 2007 Test Products International, Inc.

Part Number: CK13M
Date: 10/03/07