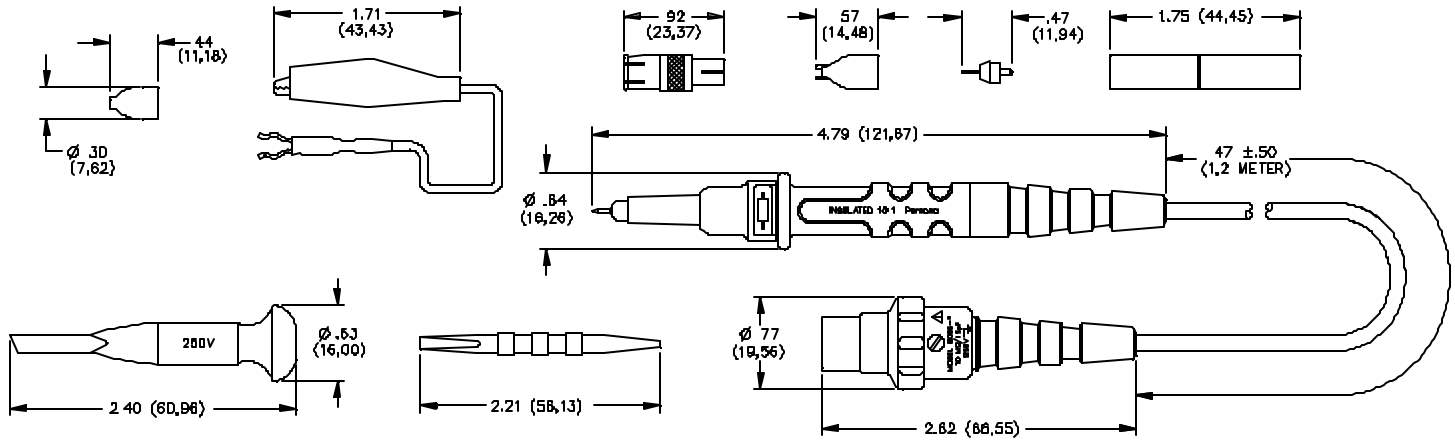


# Model 6006 & 6033 Fully Insulated Switchable Oscilloscope Probes & Kit



**FEATURES:**

- Kit includes one Oscilloscope probe and below listed accessories..
- Probes are fully insulated and are for use with Fluke ScopeMeter®, 90 Series and 105.

**RATINGS:**

**Performance Specifications:**

Attenuation:	Bandwidth (MHz)	Input Impedance (MW)	Input Capacitance (pF)	Approx. Rise Time (nS)	Voltage (V Max.) +	Compensation Range (pF)	Cable Length:
x10	200	10	15	1.8	250	10-60	1.2 Meters

+ Derated with Frequency

**ACCESSORIES INCLUDED IN KIT**

Description:	Pomona Reordering Part Number:
Full Acc. Kit	6034-2 (Red), 6034-8 (Gray)
Sprung Hook	6095-2 (Red), 6095-8 (Gray)
Trimmer Tool	6096
IC Tip	6097
Insulating Tip	6098
BNC Adapter	5822
Replacement Tip	6099
Ground Lead	5825
Sheathed Banana Plug Adapter	6100

**ORDERING INFORMATION:** Model 6006-\*, 6033 (Kit with 1 Red, 1 Gray probe with accessories)

\* = Color, -2 Red, -8 Gray

All dimensions are in inches. Tolerances (except noted): .xx = ±.02" (.51 mm), .xxx = ±.005" (.127 mm).

All specifications are to the latest revisions. Specifications are subject to change without notice.

Registered trademarks are the property of their respective companies. Made in USA