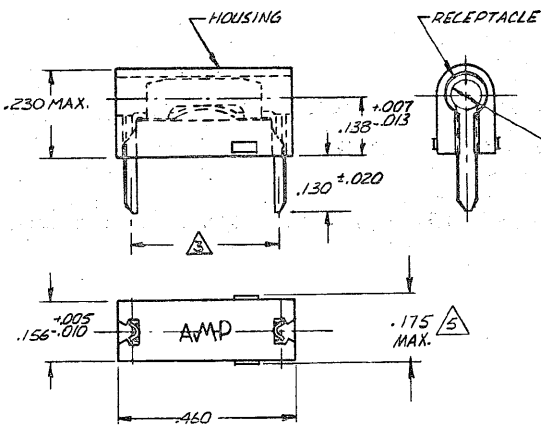


© 1968 BY AMP INCORPORATED. ALL RIGHTS RESERVED. AMP PRODUCTS COVERED BY PATENTS AND/OR PATENTS PENDING.

.054/.050 DIA.
 $\pm \text{Ø} .005 \text{ (M)}$



RECOMMENDED MOUNTING HOLE PATTERN

FITS .080 DIA PROBE

1. OPERATION TEMPERATURE - 105° MAX.
 2. RETENTION FORCE - 16 OUNCES MIN. INITIALLY. 6 OUNCES MIN. AFTER 500 CYCLES.
 3. REFER TO MOUNTING HOLE PATTERN.
 4. COLORS PER EIA STANDARD EIA-359.
- \triangle .175 MAX. TO BE MEASURED ACROSS THE CUTOFF TABS.

1-582118-9	WHITE	TIN
1-582118-8	GRAY	TIN OBSOLETE
1-582118-7	VIOLET	TIN OBSOLETE
1-582118-6	BLUE	TIN OBSOLETE
1-582118-5	GREEN	TIN
1-582118-4	YELLOW	TIN
1-582118-3	ORANGE	TIN OBSOLETE
1-582118-2	RED	TIN
1-582118-1	BROWN	TIN OBSOLETE
1-582118-0	BLACK	TIN
PART NO	COLOR	RECEPT FINISH

ZONE	LYR	DESCRIPTION	DATE	APPROVED
L		REDRAWN & REMOVED 582340	5/28/68	JRK/RET
M		CLARIFIED FINISH	8-15-69	JRK/RET
N		ADDED 1-582118-0 THRU 1-9	3/15/74	JRK/RET
P		REVISED PER M-3356	9-2-75	SPB/
R		REVISED M-5106	1/4/79	DM/DAH
R		RESTORATION	5-23-85	KS/SJ
S		REV AG 1047 LOC TO CY	12-22-87	ABM
S		REV PER AG-5173 LOC TO AG	4-11-88	VS
T		REV PER AG-5113	6-15-88	RET/DM
U		REV PER ECN AG-1263	10-12-88	WB
V		REV PER AG-1392	12-14-88	SSA
W		REV PER AG-2037	8-23-90	KAL
Y		REV PER AG-2035 & AG-2036	10-16-90	EDD
Z		RELOCATE P&T 061A-0324-78	11/1/92	WJ

6-582118-9	NATURAL	GOLD
3-582118-9	NATURAL	SILVER OBSOLETE
3-582118-9	WHITE	GOLD
3-582118-8	GRAY	GOLD
3-582118-7	VIOLET	GOLD
3-582118-6	BLUE	GOLD
3-582118-5	GREEN	GOLD
3-582118-4	YELLOW	GOLD
3-582118-3	ORANGE	GOLD
3-582118-2	RED	GOLD
3-582118-1	BROWN	GOLD
3-582118-0	BLACK	GOLD
2-582118-9	WHITE	SILVER
2-582118-8	GRAY	SILVER OBSOLETE
2-582118-7	VIOLET	SILVER OBSOLETE
2-582118-6	BLUE	SILVER
2-582118-5	GREEN	SILVER
2-582118-4	YELLOW	SILVER OBSOLETE
2-582118-3	ORANGE	SILVER OBSOLETE
2-582118-2	RED	SILVER
2-582118-1	BROWN	SILVER
2-582118-0	BLACK	SILVER
PART NO	COLOR	RECEPT FINISH

UNLESS OTHERWISE SPECIFIED DIM. ARE IN INCHES. TOLERANCES ON: DECIMALS - .015 ANGLES

CONTRACT NO. DR *On Boardmate Apollo*

AMP INCORPORATED HARRISBURG, PENNSYLVANIA

TEST PROBE ASSEMBLY

AMP INFO: LOC PRINT DIST HEAT TREAT FINISH: *AF 50 5*

MATERIALS: NYLON TYPE 6/6, RECEPT BRASS ASTM B-36 ALLOY 6

DESIGN APPD: *W. J. ...*

OTHER APPD:

SIZE: B CODE IDENT NO: 00779 NUMBER: 582118

SCALE: 4:1

CUSTOMER DRAWING

1335
 142923 (11/64)