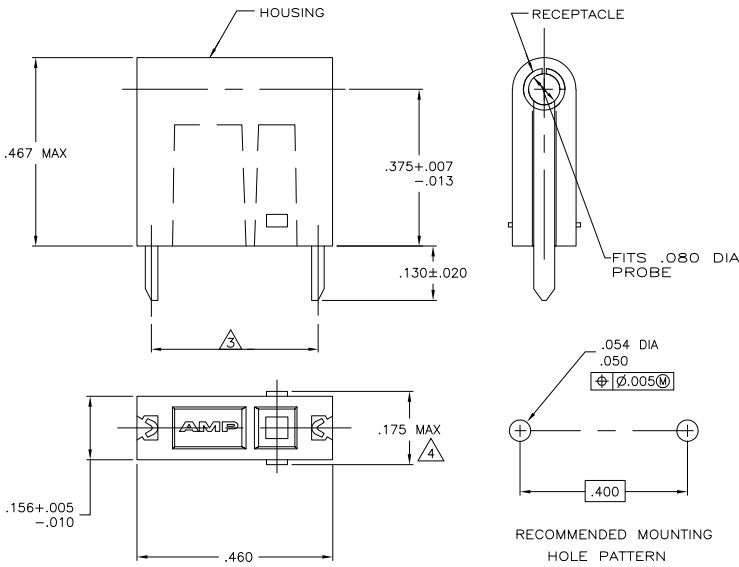


THIS DRAWING IS UNPUBLISHED. RELEASED FOR PUBLICATION.
 © COPYRIGHT BY TYCO ELECTRONICS CORPORATION. ALL RIGHTS RESERVED.

LOC	DIST	REVISIONS			
F	LR	DESCRIPTION	DATE	BY	APPD
AF	50	REVISED PER DG3A-0170-05	30JUN05	MF	EH



- OPERATION TEMPERATURE IS 105° C MAX.
 - RETENTION FORCE - 16 OUNCES MIN INITIALLY.
6 OUNCES MIN AFTER 500 CYCLES.
- ⚠ REFER TO MOUNTING HOLE PATTERN.
 ⚠ .175 MAX TO BE MEASURED ACROSS THE CUT-OFF TABS.

	NYLON 6/6; WHITE	BRASS - GOLD	3-582340-9
OBSOLETE	NYLON 6/6; GRAY	BRASS - GOLD	3-582340-8
OBSOLETE	NYLON 6/6; VIOLET	BRASS - GOLD	3-582340-7
	NYLON 6/6; BLUE	BRASS - GOLD	3-582340-6
	NYLON 6/6; GREEN	BRASS - GOLD	3-582340-5
OBSOLETE	NYLON 6/6; YELLOW	BRASS - GOLD	3-582340-4
OBSOLETE	NYLON 6/6; ORANGE	BRASS - GOLD	3-582340-3
OBSOLETE	NYLON 6/6; RED	BRASS - GOLD	3-582340-2
OBSOLETE	NYLON 6/6; BROWN	BRASS - GOLD	3-582340-1
	NYLON 6/6; BLACK	BRASS - GOLD	3-582340-0
OBSOLETE	NYLON 6/6; WHITE	BRASS - SILVER	2-582340-9
OBSOLETE	NYLON 6/6; GRAY	BRASS - SILVER	2-582340-8
OBSOLETE	NYLON 6/6; VIOLET	BRASS - SILVER	2-582340-7
OBSOLETE	NYLON 6/6; BLUE	BRASS - SILVER	2-582340-6
OBSOLETE	NYLON 6/6; GREEN	BRASS - SILVER	2-582340-5
OBSOLETE	NYLON 6/6; YELLOW	BRASS - SILVER	2-582340-4
OBSOLETE	NYLON 6/6; ORANGE	BRASS - SILVER	2-582340-3
OBSOLETE	NYLON 6/6; RED	BRASS - SILVER	2-582340-2
OBSOLETE	NYLON 6/6; BROWN	BRASS - SILVER	2-582340-1
OBSOLETE	NYLON 6/6; BLACK	BRASS - SILVER	2-582340-0
OBSOLETE	NYLON 6/6; WHITE	BRASS - TIN	1-582340-9
OBSOLETE	NYLON 6/6; GRAY	BRASS - TIN	1-582340-8
	NYLON 6/6; VIOLET	BRASS - TIN	1-582340-7
OBSOLETE	NYLON 6/6; BLUE	BRASS - TIN	1-582340-6
OBSOLETE	NYLON 6/6; GREEN	BRASS - TIN	1-582340-5
OBSOLETE	NYLON 6/6; YELLOW	BRASS - TIN	1-582340-4
OBSOLETE	NYLON 6/6; ORANGE	BRASS - TIN	1-582340-3
	NYLON 6/6; RED	BRASS - TIN	1-582340-2
OBSOLETE	NYLON 6/6; BROWN	BRASS - TIN	1-582340-1
	NYLON 6/6; BLACK	BRASS - TIN	1-582340-0

OBSOLETE	NYLON 6/6; NATURAL	BRASS - GOLD	6-582340-9
OBSOLETE	NYLON 6/6; NATURAL	BRASS - SILVER	5-582340-9
	HOUSING - MATERIAL; COLOR	RECEPTACLE - MATERIAL; FINISH	PART NUMBER

THIS DRAWING IS A CONTROLLED DOCUMENT.		DESIGNED BY M.S. FEHER 13APR2004	TYCO ELECTRONICS Tyco Electronics Corporation Harrisburg, Pa 17105-3608
DRAWN BY F. HOWARD 13APR2004		PRODUCT SPEC F. HOWARD 13APR2004	NAME ASSEMBLY, TEST PROBE
DIMENSIONS: mm		APPLICATION SPEC -	SIZE A2
MATERIAL SEE TABLE		WEIGHT -	RESTRICTED TO -
CUSTOMER DRAWING		SCALE 6:1	SHEET 1 OF 1

582340

A