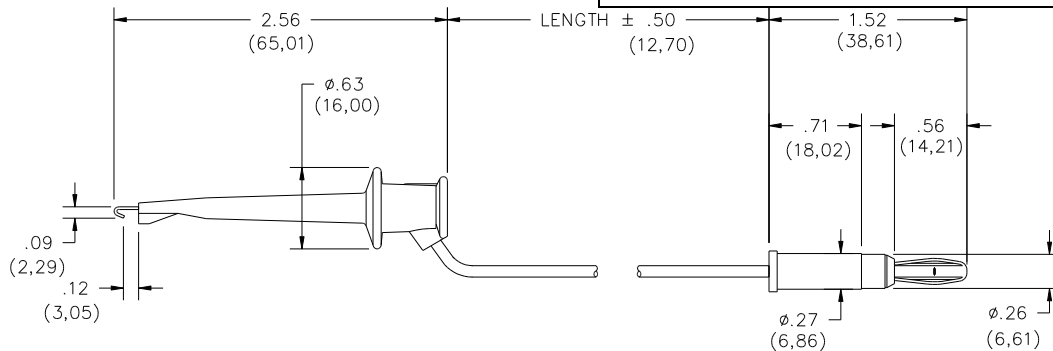


Model 4650 Minigrabber® Test Clip To In-Line Banana Plug



FEATURES:

- Ideal for connecting terminals and wire wrap post to test equipment.
- Banana Plug mates to Model #4702, 1581 or any standard Banana Jack.

MATERIALS:

Conn: 1st End – Miniature Test Clip

Material: Contact; ¼ HM Beryllium Copper alloy 165 per QQ-C-533.

Spring: Stainless steel.

Finish: Gold plated per MIL-G-45204, type II, .00001/.00002.

Insulation: Molded glass filled nylon.

Operating Temperature: +102°C. (+216°F.) Max. Color matches color of wire.

Marking: “POMONA ELECTRONICS MINI-TEST CLIP.”

Wire: 20 AWG. Stranding 41 x 36 tinned copper, extra flexible polyvinyl insulation, 2.21 (.087) O.D.

Color: See Ordering Information.

Marking: “POMONA 4650-XX.”

Conn: 2nd End – Banana Plug

Material: Spring; one piece heat treated Beryllium Copper, Berylco 25 per QQ-C-533.

Plug Body: Brass, H.H., per QQ-B-626, Alloy 360.

Finish: Nickel plated per QQ-N-290. Class 2 (.0002 Min.).

Insulation: Polypropylene molded to plug body and wire.

RATINGS: (Entire Assembly)

Operating Temperature.: +55°C. (+131°F.) Max.

Working Voltage: 300 VRMS/DC

Current: 5 Amperes Cont.

ORDERING INFORMATION: Model 4650-XX-*

XX = Cable Lengths, Standard Lengths 24” (610), 36” (914)

Additional lengths can be quoted upon request.

*= Color, -0 Black, -2 Red.

Ordering Example: 4650-36-2 Indicates 36” in length, color is Red

All dimensions are in inches. Tolerances (except noted): .xx = ±.02” (.51 mm), .xxx = ±.005” (.127 mm).

All specifications are to the latest revisions. Specifications are subject to change without notice.

Registered trademarks are the property of their respective companies. Made in USA

6/9/99

SY/EH/LS

W:\pomona\grponly\Datasheet Updates\Updates 2005\d4650_1_02.doc

More drawings available at www.pomonaelectronics.com

Page 1 of 1