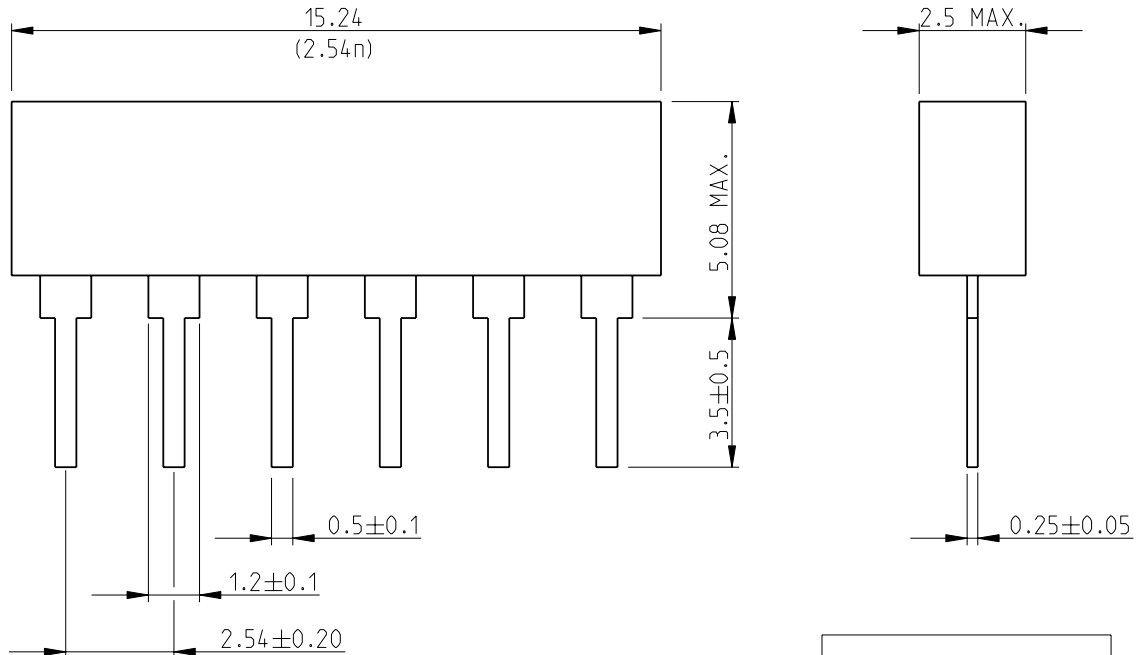
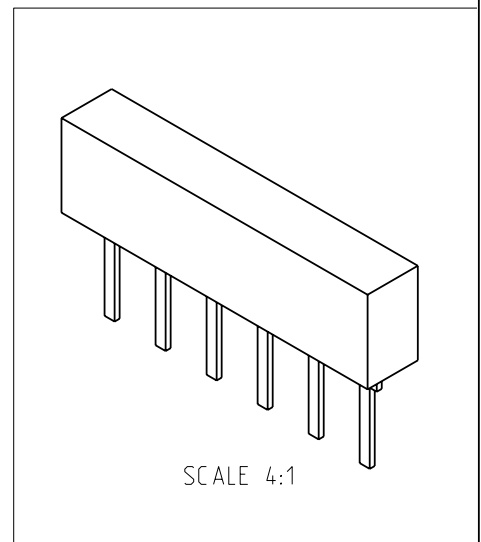


LOC	DIST	REVISIONS				
P	LTR	DESCRIPTION	DATE	DWN	APVD	
E	B	BA	NEW RELEASE	22-OCT-09	MRS	St.P



RoHS Compliant



1. n = NUMBER OF PINS
2. FOR FURTHER INFORMATION SEE DATA SHEET FOR SERIES SIL, GENERAL PURPOSE RESISTOR NETWORKS

2009

RELEASED FOR PUBLICATION

BY TYCO ELECTRONICS CORPORATION. ALL RIGHTS RESERVED.

THIS DRAWING IS UNPUBLISHED.

DIMENSIONS: mm	DWN	MAHARUDRA	22-OCT-09	MATERIAL	-	FINISH	-
	CHK	ALLAN.P	22-OCT-09	Tyco Electronics Corporation Dorcan, Swindon, SN3 5HH			
TOLERANCES UNLESS OTHERWISE SPECIFIED:	APVD	STEPHEN.P	22-OCT-09				
0 PLC ±0.2	PRODUCT SPEC	-	NAME	GENERAL PURPOSE RESISTOR NETWORKS SIL06 RESISTOR NETWORKS			
1 PLC ±0.1	APPLICATION SPEC	-	SIZE	CAGE CODE	DRAWING NO	RESTRICTED TO	
2 PLC ±-	WEIGHT	-	A 4	00779	©= 1622802	-	
3 PLC ±-			CUSTOMER DRAWING		SCALE	6:1	SHEET 1 OF 1
4 PLC ±-							REV BA
ANGLES ±5°							