

ST9 EPB User Manual

Release 1.1

May 2001



Ref: DOC-ST9WIN-EPBJ/LPT



INSTRUCTIONS FOR USE—WARNING

This product is an FCC Class-A apparatus. In a residential environment, it may cause radioelectrical disturbances.

In addition, this programming board is not contained in an outer casing; consequently, it cannot be immune against electrostatic discharges (ESD). It should therefore be handled only in static safe working areas. Please refer to *Appendix A: User and Work Environment Precautions* on page 17 for relevant safety information.

USE IN LIFE SUPPORT DEVICES OR SYSTEMS MUST BE EXPRESSLY AUTHORIZED.

STMicroelectronics PRODUCTS ARE NOT AUTHORIZED FOR USE AS CRITICAL COMPONENTS IN LIFE SUPPORT DEVICES OR SYSTEMS WITHOUT THE EXPRESS WRITTEN APPROVAL OF STMicroelectronics. As used herein:

1. Life support devices or systems are those which (a) are intended for surgical implant into the body, or (b) support or sustain life, and whose failure to perform, when properly used in accordance with instructions for use provided with the product, can be reasonably expected to result in significant injury to the user.
2. A critical component is any component of a life support device or system whose failure to perform can reasonably be expected to cause the failure of the life support device or system, or to affect its safety or effectiveness.

Table of Contents

Chapter 1: Introduction	5
1.1 Overview	5
1.2 Hardware features	6
1.3 Software features	6
Chapter 2: Getting Started	7
2.1 Delivery Checklist	7
2.2 Setting up the EPB	7
2.3 Installing the STVP9 software	8
Chapter 3: How to Program	9
3.1 Programming methods	9
3.2 A typical programming session	10
Chapter 4: In Situ Programming mode	15
4.1 Setting up the EPB for ISP mode	16
Appendix A: User and Work Environment Precautions	17
Appendix B: Current ST9 EPBs	19
Product Support	21
Getting prepared before you call	21
Contact list	21
Software updates	22
Index	23

Table of Contents

1 INTRODUCTION

1.1 Overview

The ST9 EPB is a programming board kit which allows you to program ST9 microcontrollers having EPROM, OTP, OSD, EEPROM and FLASH memories.

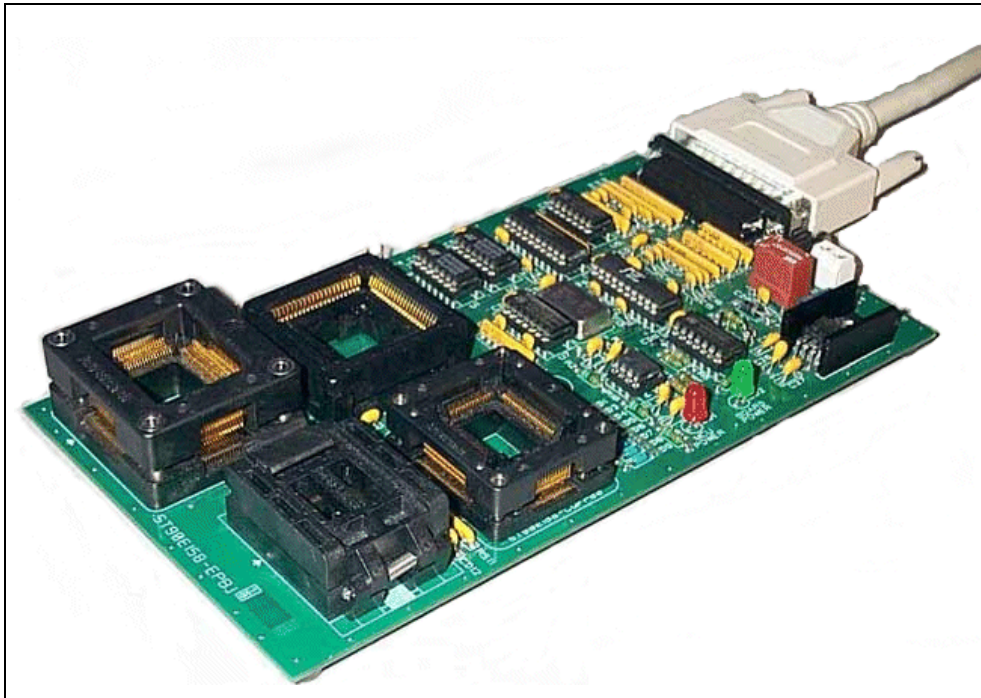


Figure 1: Typical ST9 EPB programming board

The layout of the programming board included in your ST9 EPB kit varies depending on the type and package of the ST9 microcontroller you wish to program (a typical example is shown in *Figure 1*). However, the general programming procedure explained in this book remains the same for all boards.

A complete listing of the ST9 family of programming boards, with a summary of the devices they support is given in *Appendix B: Current ST9 EPBs* on page 19.

Note: *The ST9 EPB is meant to program small numbers of microcontrollers (i.e. prototypes in the development stage). For mass production programming, it is recommended that you use the appropriate gang programmer.*

The programming board is linked via the parallel port, to a host PC running the ST9 Visual Programmer software (STVP9). This software interface allows you to customize and control the programming. The object code in either the Intel[®] HEX and Motorola[®] S19 format can be read and used to program the target devices.

STVP9 also offers VERIFY, BLANK CHECK, READ, ERASE and other utility functions.

1.2 Hardware features

A range of programming boards allow you to program all of the EPROM, OTP, OSD, EEPROM and FLASH versions of the ST9 family. In Situ Programming (ISP) is also available for the FLASH devices.

1.3 Software features

A host PC running the STVP9 is the control interface for the ST9 EPB.

STVP9 is a graphical Windows interface that lets you:

- Read, view, edit and save executable files in the Intel[®] HEX and Motorola[®] S19 formats, generated by the Assembler, Linker or C Compiler for ST microcontrollers.
- Program executable files into ST microcontrollers.
- View and verify a microcontroller's memory contents.
- Either create a project that defines how to program the microcontroller(s) or load the files whose contents you want to program and then execute the program.

STVP9 includes a detailed online help utility.

2 GETTING STARTED

2.1 Delivery Checklist

Check that your ST9 EPB programming board kit contains the following items:

- 1 ST9 EPB Eprom Programming Board (i.e. the EPB appropriate to the sales type ordered).
- 1 power supply.
- 1 parallel cable.
- 1 *MCU on CD* CDRom containing the STVP9 software.
- 1 14-pin HE10 type ribbon cable for ISP mode (if provided on the programming board for the sales type ordered).

2.2 Setting up the EPB

To set up the ST9 EPB hardware, follow these instructions:

- 1 Shut down and power-off the host PC.
- 2 Connect one end of the supplied parallel cable to connector P1 of the ST9 EPB and the other end to one of the host PC's parallel ports (LPT1 or LPT2).

Note: Be sure to use the parallel cable provided with your kit—using a longer parallel cable may cause malfunctions.

Connect the cable directly between the host PC and the programming board—the insertion of additional cables or switch boxes between the host PC and the programming board may cause malfunctions.

If a dongle (a hardware key required by some software packages) is already connected to the PC's parallel port, it should not interfere with the programming board. However, if a malfunction of the board should occur, please remove the dongle and restart the above sequence.

- 3 Power on the programming board by connecting the power supply to the programming board and to the mains. Ensure that the power supply is adapted to the mains voltage and outlet type used in your country.

Note: The board can be supplied from the integrated power supply provided with the board, or from an external +15 V_{DC} / 0.5 A power supply.

- 4 Power on the host PC and install the software provided as described in the next section.

2.3 Installing the STVP9 software

Your ST9 EPB comes with the *MCU on CD* CD-ROM which contains STVP9 and a number of other ST9 software tools. These tools are compatible with Windows® 95, 98, 2000 and Windows® NT® operating systems.

Note: Windows® 2000 and NT® users must have administrator privileges to install STVP9.

To install STVP9 , follow these steps:

- 1 Close all other open applications on your Windows desktop.
- 2 Insert the *MCU on CD* into your CD-ROM drive. The CD-ROM's autorun feature will open up a welcome screen on your PC. If the autorun feature does not work, use Windows® Explorer to browse to the CD-ROM' s root folder, and double-click on `Welcome.exe`.
- 3 Select ***Install Your Development Tools*** from the list of options. A new screen will appear listing the different families of STMicroelectronics MCUs.
- 4 Use your mouse to place the cursor over the ***ST9 Tools*** option. Choose ***ST Tools*** and then ***ST Visual Programmer for ST9-EPB (STVP9)*** from the list that appears.
- 5 The install wizard will be launched. Follow the instructions that appear on the screen.

The installation is now complete. How to start programming with STVP9 is described in *Chapter 3: How to Program* on page 9.

3 HOW TO PROGRAM

3.1 Programming methods

Your ST9 EPB programming board is provided with at least one Zero Insertion Force (ZIF) socket which allows the programming of packaged MCUs. In addition to classic MCU programming using ZIF sockets, those MCUs with FLASH memories can be programmed using the In Situ Programming (ISP) mode. ISP mode allows the ST9 program memory contents to be updated using a standard ST9 programming tool *after* the device is mounted on the application board. ISP programming is described in *Chapter 4* on page 15.

Here we describe how to connect your device for programming using these methods.

3.1.1 Installing a device for programming with the ZIF sockets

This section gives general guidelines on how to insert a device you wish to program into the ZIF sockets on the programming board.

The online help for the STVP9 includes programming board layouts for all of the ST9 EPBs.

- 1 Set up the EPB as described in *Section 2.2* on page 7.
- 2 Make sure that your EPB is powered off.
- 3 From your host PC select **Start>Programs>STVP for ST9 EPB** to launch the STVP9 software program. From the main menu bar, select **Help>Hardware**.
- 4 A list of ST9 EPBs will appear in the online Help window. Scroll down until you find your programming board model, and click on it.
- 5 Using the board layout that appears for your programming board, identify the ZIF socket for your device package on the programming board.
- 6 Place the device into the designated socket with pin 1 matching the mark on the board.

Caution: *Take care when placing the device into a socket so as not to damage the device or the board. Forcing the MCU into the socket may result in damage to the socket. Devices are powered only during read or write operations—a red LED (labelled LD1 or MCU Power) will light when the device is powered. **Never insert or remove devices when the EPB's red LED is ON.***

Note: Some ZIF sockets have levers or covers that you must lift in order to place the device, and then re-fit after the device is in place.

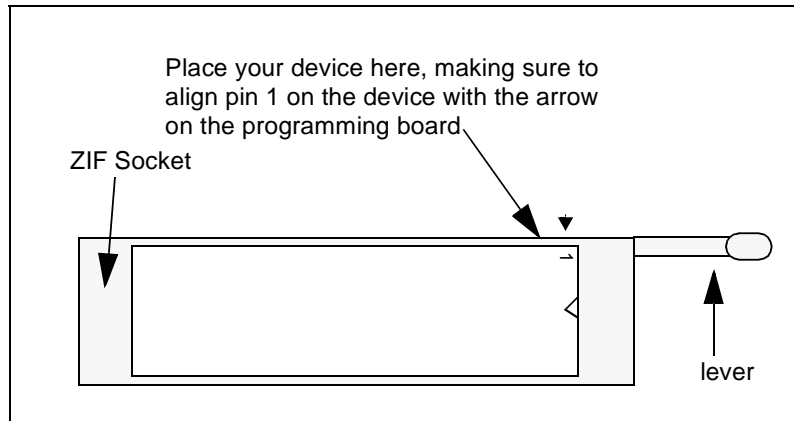


Figure 2: ZIF socket with lever

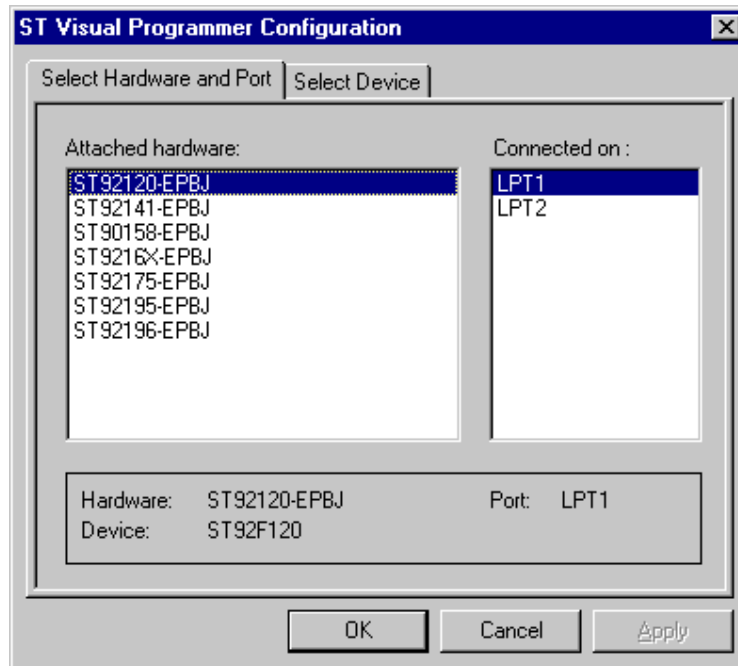
7 Power on the EPB.

3.2 A typical programming session

The following instructions describe how you would typically program an ST microcontroller using STVP9. Note that this is not the only way to program an ST microcontroller using STVP9; for more information on how to use the STVP9, click the **Help** command in the main menu bar.

- 1 Make sure that the microcontroller you want to program is correctly connected for programming, either via the ZIF socket or in ISP mode (see *Chapter 4: In Situ Programming mode* on page 15).

- In the STVP9 window, from the main menu, select **Configure>Configure ST Visual Programmer**. The ST Visual Programmer Configuration window is displayed as shown below:

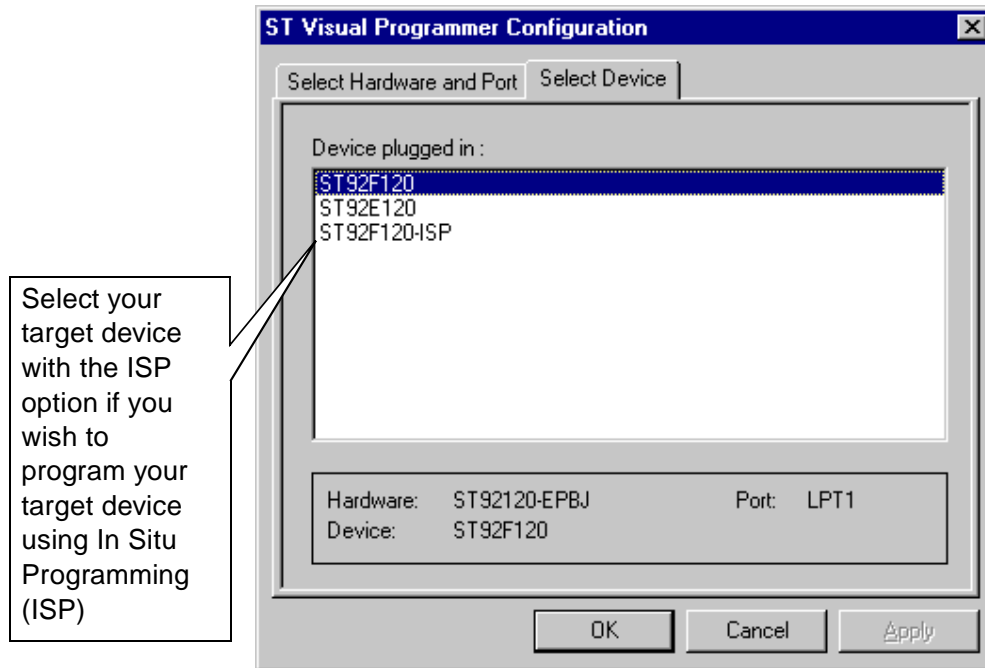


- In the **Select Hardware and Port** tab of the window, choose the programming device you are using from the list and the host PC parallel port to which it is connected (i.e. LPT1 or LPT2).

Note: The list of supported devices shown in the screen capture above is not necessarily complete—this list grows with each new version release of STVP9.

- Click on the **Select Device** tab of the ST Visual Programmer Configuration window.

The list box shown below appears.



- 5 From the list shown in the **Select Device** tab of the ST Visual Programmer Configuration window, select the device to be programmed.
- 6 Click **Apply** to save your changes without closing the dialog box, or **OK** to save your changes and close the dialog box.

Note: You can also select a microcontroller type from the drop-down list in the toolbar.

- 7 In STVP9's main window there are a number of tabs with one or more of the following names (depending on the device selected): FLASH, OSD, EPROM, EEPROM, Option Bytes or Device Information.
- 8 Select one of the memory type tabs (i.e. FLASH, OSD, EPROM, EEPROM or Option Bytes).
- 9 From the main menu, select **File>Open** and type the name of, or browse to, the file you want to load.
- 10 In the list of files, click the file holding the code you want to program.
- 11 Click **OK**. When the file is loaded, the Information window (the black-background text window at the bottom of the STVP9 application window) displays file checksum and global device checksum. Global device checksum represents checksum calculated without reserved area.

- 12** To program the other device memory areas, repeat steps 8 to 11 above, each time selecting a tab associated with a different memory area (i.e. ELASH, OSD, EPROM, EEPROM or Option Bytes) that you wish to program.

Note: To open a file you've used recently, click its name at the bottom of the File menu.

- 13 FOR EPROM and FLASH ONLY:** From the main menu, select **Verify>Blank Check** to check that the ST microcontroller memory has not already been programmed. (You cannot perform a blank check on EEPROM memory).

The results of the check are displayed in the information area.

- 14** From the main menu, select **Program>All** to program and verify all tabs.

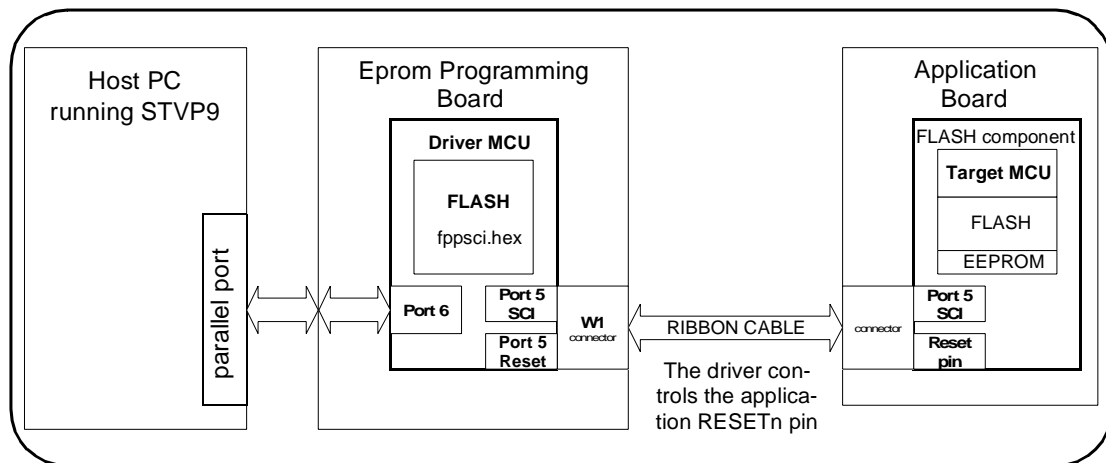
- 15** From the main menu, select **Verify>All** to check that the programming session was successfully completed (that the file contents match those programmed into the microcontroller memory).

4 IN SITU PROGRAMMING MODE

Microcontrollers with FLASH memories can be programmed using the In Situ Programming (ISP) mode (also referred to as in-system programming). ISP mode allows the contents of the ST9 program memory to be updated using a standard ST9 programming tool *after* the device is mounted on the application board.

Those ST9 EPBs equipped with an ISP connector can be used as an external tool that provides an interface between the host PC running STVP9 and the MCU mounted in the application.

MCUs supporting ISP mode communicate with the application through a SCI protocol in synchronous mode. The MCU also controls the application reset. The application-mounted MCU starts out of reset mode by initializing its SCI to communicate with the EPB. If the EPB doesn't answer, the application will automatically encounter the user's code (or a HALT instruction if no user code is available).



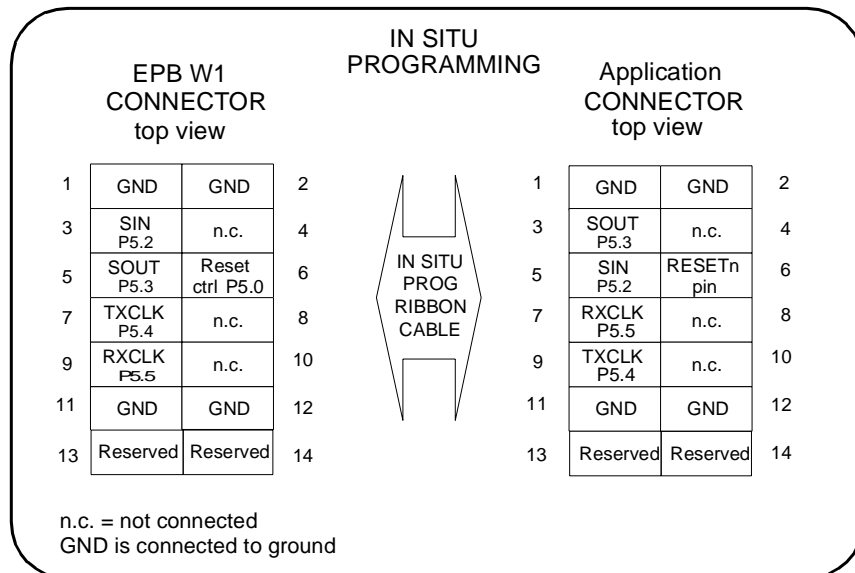
STVP9's In Situ Programming software enables the PC to load executable code (fppsci.hex code) into the FLASH memory of a Driver MCU mounted in one of the ZIF sockets on the EPB. This Driver MCU is usually the same type of MCU that you wish to program in situ. The code loaded into the Driver MCU located on the EPB allows it to act as an interface between the PC and the MCU located on the application.

4.1 Setting up the EPB for ISP mode

- 1 Set up the EPB and host PC as described in *Chapter 2: Getting Started* on page 7.
- 2 Power on the EPB and the host PC.
- 3 Place the Driver MCU in the ZIF socket on the EPB which is appropriate for its package.

Note: Any spare MCU of the same type that you wish to program on the application board may be programmed as a driver. For example, if you wish to program a ST92F120 device in situ, you would use a spare ST92F120 MCU mounted in a ZIF socket of the ST92F120-EPB as the Driver MCU.

- 4 Connect the ribbon cable between the 14-pin ISP connector on the EPB and the ISP connector on your application board.



- 5 Switch on the application board.
- 6 Follow the instructions in *Section 3.2: A typical programming session* on page 10, taking care to choose a device with an -ISP suffix from the **Select Device** tab of the **ST Visual Programmer Configuration** window. STVP9 will check the contents of the driver device installed on the EPB and update it if necessary.
- 7 Load the file you want to program and program the device's FLASH and EEPROM memories.

APPENDIX A: USER AND WORK ENVIRONMENT PRECAUTIONS

The following precautions are recommended when using the programming board:

- Any tester, equipment, or tool used at any production step or for any manipulation of semi-conductor devices should have its shield connected to ground.
- Your programming board should be placed on a conductive table top, made of steel or clean aluminum or covered by an antistatic surface (superficial resistivity equal to or higher than $0.5 \text{ M}\Omega/\text{cm}^2$), grounded through a ground cable (conductive cable from protected equipment to ground isolated through a $1 \text{ M}\Omega$ resistor placed in series).

All manipulation of finished goods should be made at such a grounded worktable.

- The worktable should be free of all non-antistatic plastic objects.
- An antistatic floor covering grounded through a conductive ground cable (with serial resistor between 0.9 and $1.5 \text{ M}\Omega$) should be used.
- It is recommended that you wear an antistatic wrist or ankle strap, connected to the antistatic floor covering or to the grounded equipment.
- If no antistatic wrist or ankle strap is worn, before each manipulation of the powered-on programming board, you should touch the surface of the grounded worktable.
- It is recommended that antistatic gloves or finger coats be worn.
- It is recommended that nylon clothing be avoided while performing any manipulation of parts.

APPENDIX B: CURRENT ST9 EPBS

Salestype	Package	Supported Devices	Memory Types / Programming Options
ST90E158-EPB2	PQFP80	ST90158 ST90158LV	OTP, EPROM
	TQFP80	ST90158 ST90158LV	
	QFP80	ST90158 ST90158LV	
	LCC84	ST90158 ST90158LV	
ST92E175-EPBJ	SDIP56	ST92175	OTP, EPROM
	QFP64	ST92175	
	TQFP64	ST92175	
ST92E195-EPB	SDIP56	ST92195	OTP, EPROM, OSD
	QFP64	ST92195	
	TQFP64	ST92195	
ST92E196 -EPB	SDIP56	ST92196	OTP, EPROM, OSD
	QFP64	ST92196	
	TQFP64	ST92196	
ST92E141-EPB	SO34	ST92141	OTP, EPROM
	SDIP32	ST92141	
ST92E163-EPB	SDIP56	ST92163	OTP, EPROM
	QFP64	ST92163	
	TQFP64	ST92163	
ST92F120-EPB	PQFP100	ST92F120 ST92T120	OTP, EPROM, FLASH, EEPROM ISP mode supported for FLASH memory versions
	CQFP100	ST92E120	

Salestype	Package	Supported Devices	Memory Types / Programming Options
ST92F150-EPB	TQFP100	ST92F150x1 ST92F150x9 ST92F124x1 ST92F124x9	FLASH, EEPROM ISP mode supported
	PQFP100	ST92F150x1 ST92F150x9 ST92F124x1 ST92F124x9	
	TQFP64	ST92F150x1 ST92F150x9 ST92F124x1 ST92F124x9	

PRODUCT SUPPORT

If you experience any problems with this product or if you need spare parts or repair, contact the distributor or ST sales office where you purchased the product.

Getting prepared before you call

Collect the following information about the product before contacting ST or your distributor:

- 1 Name of the company where you purchased the programmer kit.
- 2 Date of purchase.
- 3 Order Code: Refer to the side of your programmer kit box. The order code will depend on the region for which it was ordered (i.e. the UK, Continental Europe or the USA).
- 4 Serial Number: The serial number is located on a label on the programming board.
- 5 Target Device: The sales type of the ST9 microcontroller you are using in your development.

Contact list

Note: For **American and Canadian customers** seeking technical support the US/Canada is split in 3 territories. According to your area, contact the following sales office and ask to be transferred to an 8-bit microcontroller Field Applications Engineer (FAE).

Canada and East Coast

STMicroelectronics
Lexington Corporate Center
10 Maguire Road, Building 1, 3rd floor
Lexington, MA 02421
Phone: 781-402-2650

Mid West

STMicroelectronics
1300 East Woodfield Road, Suite 410
Schaumburg, IL 60173
Phone: 847-517-1890

West coast

STMicroelectronics, Inc.
30101 Agoura Court
Suite 118
Agoura Hills, CA 91301
Phone: 818-865-6850

Europe

France (33-1) 47407575
Germany (49-89) 460060
U.K. (44-1628) 890800

Asia/Pacific Region

Japan (81-3) 3280-4120
Hong-Kong (852) 2861 5700
Sydney (61-2) 9580 3811
Taipei (886-2) 2378-8088

Software updates

You can get software updates from the ST Internet web site <http://mcu.st.com>.
For information on firmware and hardware revisions, call your distributor or ST
using the contact list given above.

Index

D

driver MCU 15

E

EPB

current list of 19
obtaining board layouts 9
setting up 7

F

finished goods

manipulation of 17
safety requirements 17

H

hardware

features 6
setting up 7

I

In Situ Programming

general schema 15
instructions 15
setting up hardware for 16

installation

hardware 7
software 8

O

overview 5

P

parallel connection

restrictions/requirements 7

parts delivered with EPB 7

power supply

restrictions/requirements 7

programming

a typical session with STVP9 10

instructions 9

selecting ISP mode 12

using a ZIF socket 9

S

setting up the EPB 7

software

updates 22

software provided 6

ST92E141-EPB 19

ST92E163-EPB 19

ST92E175-EPBJ 19

ST92E195-EPB 19

ST92E196 -EPB 19

ST92F120-EPB 19

STVP9

features 6

how to use 10

installing 8

selecting EPB using 11

selecting MCU 12

selecting programming mode 12

support

contact numbers for 21

for development kit 21

information required 21

Z

ZIF sockets 9

Information furnished is believed to be accurate and reliable. However, STMicroelectronics assumes no responsibility for the consequences of use of such information nor for any infringement of patents or other rights of third parties which may result from its use. No license is granted by implication or otherwise under any patent or patent rights of STMicroelectronics. Specifications mentioned in this publication are subject to change without notice. This publication supersedes and replaces all information previously supplied. STMicroelectronics products are not authorized for use as critical components in life support devices or systems without the express written approval of STMicroelectronics.

The ST logo is a registered trademark of STMicroelectronics.

Intel® is a U.S. registered trademark of Intel Corporation.

Microsoft®, Windows® and Windows NT® are U.S. registered trademarks of Microsoft Corporation.

©2001 STMicroelectronics - All Rights Reserved.

Purchase of I²C Components by STMicroelectronics conveys a license under the Philips I²C Patent. Rights to use these components in an I²C system is granted provided that the system conforms to the I²C Standard Specification as defined by Philips.

STMicroelectronics Group of Companies

Australia - Brazil - China - Finland - France - Germany - Hong Kong - India - Italy - Japan - Malaysia - Malta - Morocco - Singapore - Spain
Sweden - Switzerland - United Kingdom - U.S.A.

<http://www.st.com>