

4

3

2

1

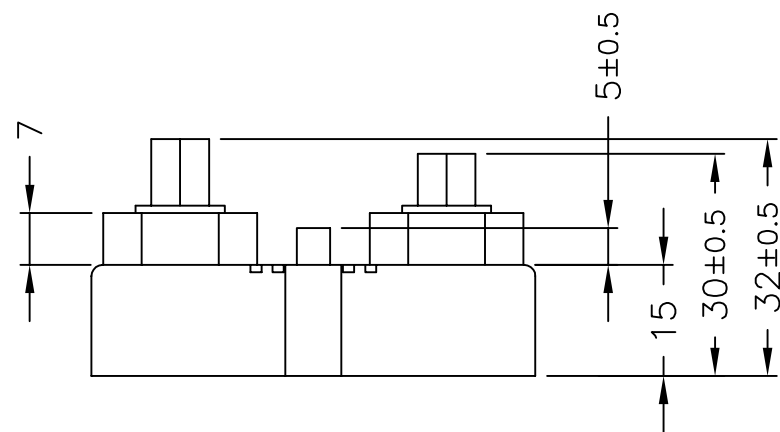
THIS DRAWING IS UNPUBLISHED.

RELEASED FOR PUBLICATION

NOV ,2005.

© COPYRIGHT 2005 BY TYCO ELECTRONICS CORPORATION. ALL RIGHTS RESERVED.

LOC	DIST	REVISIONS			
P	LTR	DESCRIPTION	DATE	DWN	APVD
E	B	A	FIRST REVISION	02NOV05	DK JC



CREEPING DISTANCE: 48.7mm MIN

CONTACTS M5, NORMAL
MAX TORQUE: 2Nm

MOUNTING SCREW: M4, NORMAL
MAX TORQUE: 1.8Nm

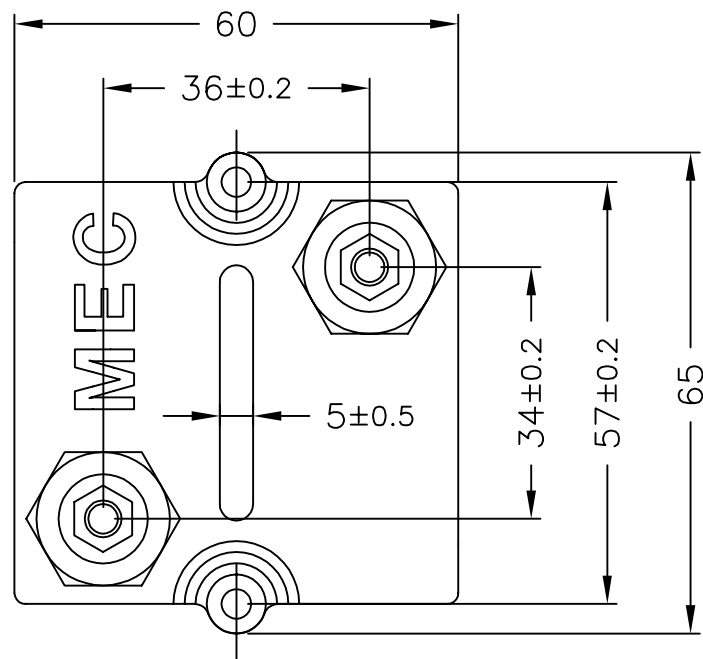
DIELECTRIC STRENGTH: 10kV
TEST TIME: 30sec

PARTIAL DISCHARGE:

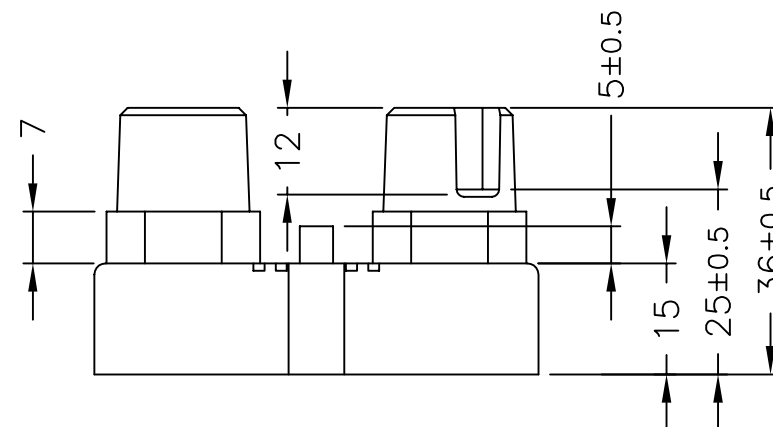
10kV FOR 30sec, BACK TO
6kV FOR 30sec.,PARTIAL
DISCHARGE <10pC I

MARKING:

BDS/600
R-VALUE/TOLERANCE
DATE OF MANUFACTURE year/week
LOT-CODE



BDS-600



CONTACTS M5, NORMAL
MAX TORQUE: 2Nm

MOUNTING SCREW: M4, NORMAL
MAX TORQUE: 1.8Nm

DIELECTRIC STRENGTH: 10kV/60sec

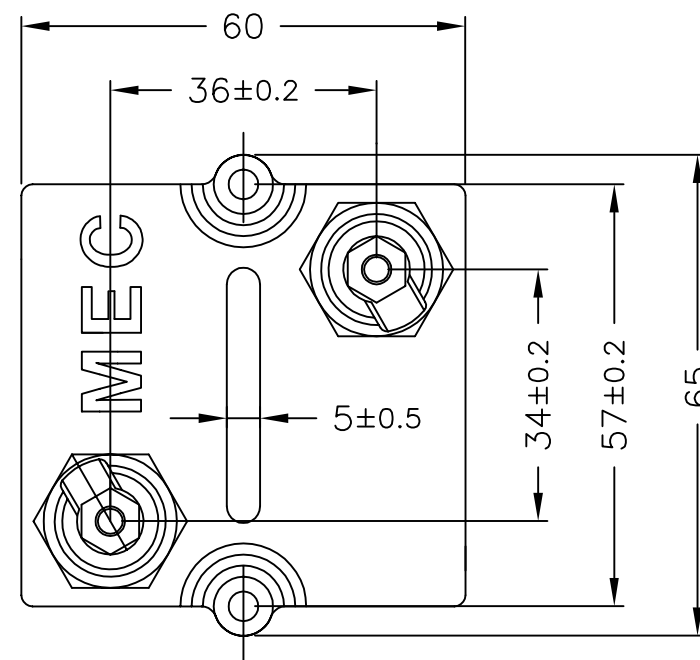
PARTIAL DISCHARGE:
TE: 4kV < 10pC/10sec

RATED POWER: 600W

TC: ±150ppm/°C

MARKING:

BDS/600/7
R-VALUE/TOLERANCE
LOT-CODE



R9001

FOR A SPECIFIC PN FOR A RESISTANCE VALUE
AND TOLERANCE, PLEASE REFER TO DMF.

THIS DRAWING IS A CONTROLLED DOCUMENT.		DWN DAVE KENNEDY 01NOV05	Tyco Electronics Corporation Dorcan, Swindon, SN3 5HH	
DIMENSIONS: MM		CHK J CATCHPOLE 02NOV05	NAME BDS600, BDS500 & R9000 SERIES	
TOLERANCES UNLESS OTHERWISE SPECIFIED:		APVD J CATCHPOLE 02NOV05	SIZE A3	
0 PLC ± 0.5		PRODUCT SPEC	CAGE CODE 00779	DRAWING NO C=1623817
1 PLC ± 0.2		APPLICATION SPEC	RESTRICTED TO	
2 PLC ± 0.1		WEIGHT	-	
3 PLC ± -		CUSTOMER DRAWING		
4 PLC ± -		SCALE NTS		
ANGLES ± 5		SHEET 1 OF 3		
MATERIAL		REV A		
FINISH				

4

3

2

1

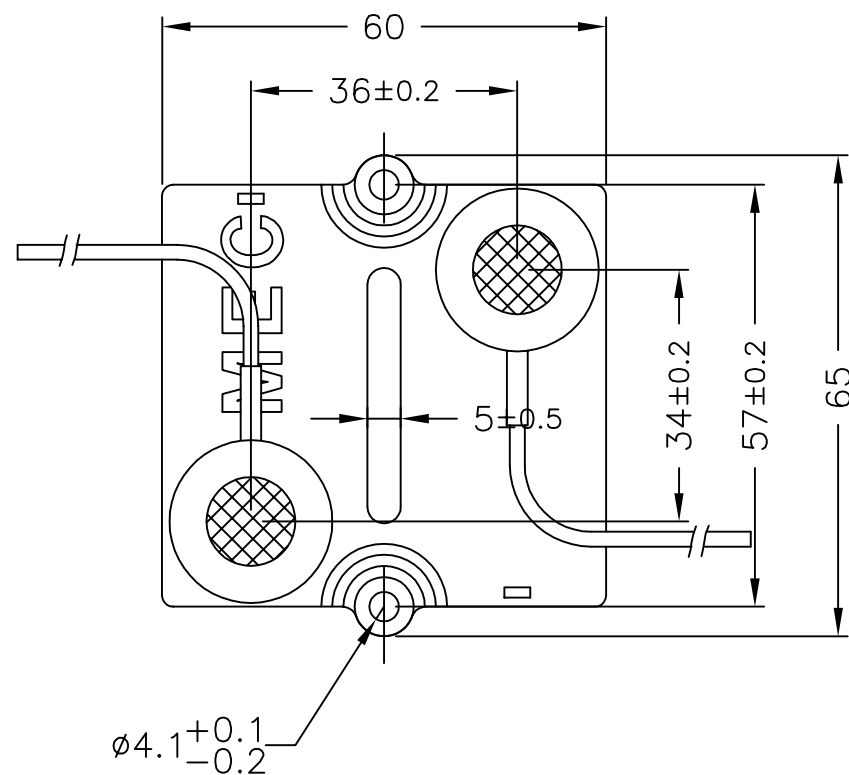
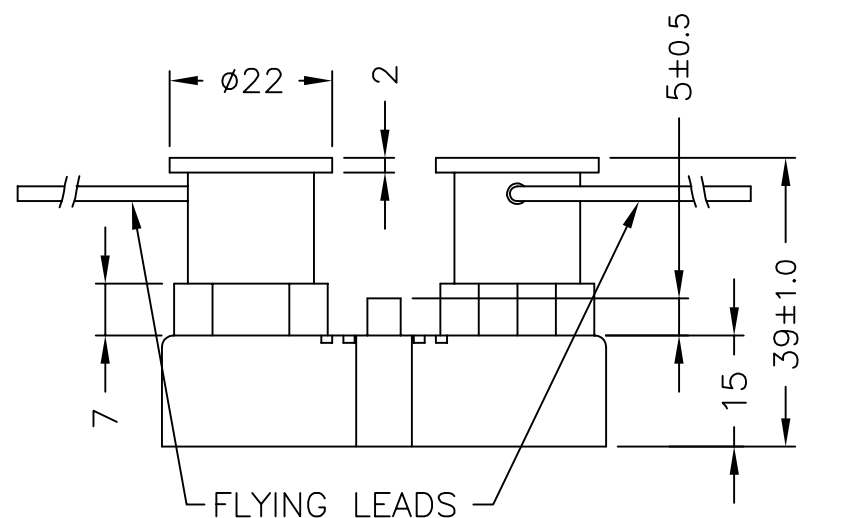
THIS DRAWING IS UNPUBLISHED.

RELEASED FOR PUBLICATION

NOV ,2005.

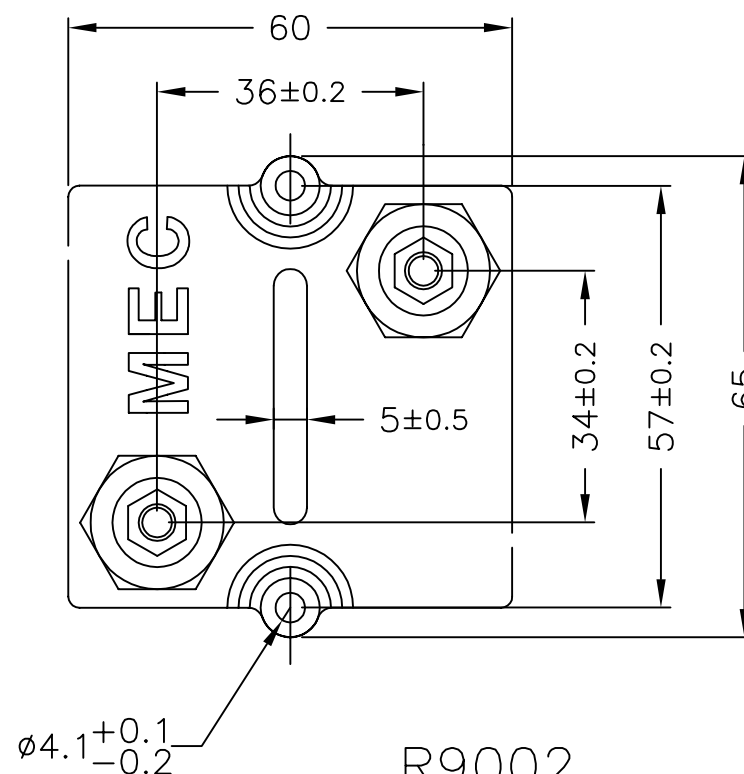
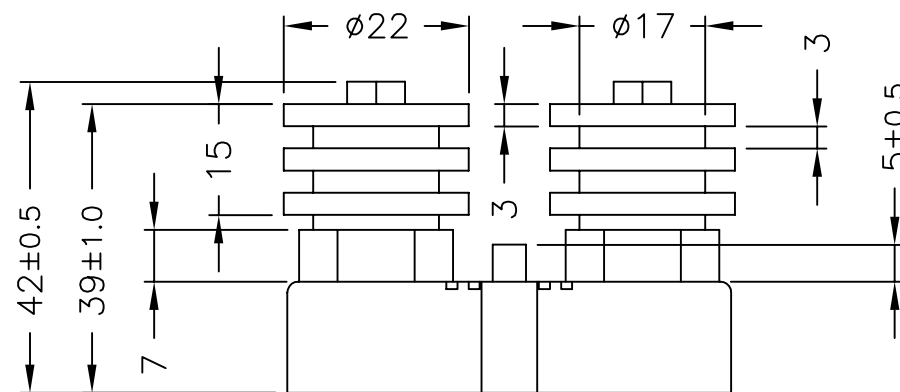
© COPYRIGHT 2005 BY TYCO ELECTRONICS CORPORATION. ALL RIGHTS RESERVED.

LOC	DIST	REVISIONS			
P	LTR	DESCRIPTION	DATE	DWN	APVD
E	B	A	FIRST REVISION	02NOV05	DK JC



MARKING:

CODE: R9003/____
 VALUE / TOLERANCE
 DATE CODE
 LOT-CODE



CONTACTS M5, NORMAL
 MAX TORQUE: 2Nm
 MOUNTING SCREW: M5, NORMAL
 MAX TORQUE: 1.8Nm
 DIELECTRIC STRENGTH:
 10kV AC FOR 30 sec.
 PARTIAL DISCHARGE
 TE_x = 5kV AC/<10pC-30sec.
 RATED POWER: 600W

MARKING:

R9002
 R-VALUE / TOLERANCE
 DATE OF MANUFACTURE year/week
 LOT-CODE

FLYING LEADS : SPC 19/.200 x 2.0 CR

STROKE No.	SLEEVE LENGTH (mm)	LEAD LENGTH (mm)
/0	10	300
/1	10	800
/2	10	1000
/3	10	350
/4	10	600
/5	10	550
/6		

R9003/SERIES

FOR A SPECIFIC PN FOR A RESISTANCE VALUE AND TOLERANCE, PLEASE REFER TO DMF.

THIS DRAWING IS A CONTROLLED DOCUMENT.		DWN DAVE KENNEDY 01NOV05	Tyco Electronics Corporation Dorcan, Swindon, SN3 5HH	
DIMENSIONS: MM		CHK J CATCHPOLE 02NOV05	NAME BDS600, BDS500 & R9000 SERIES	
TOLERANCES UNLESS OTHERWISE SPECIFIED:		APVD J CATCHPOLE 02NOV05	SIZE A3 CAGE CODE 00779 DRAWING NO C=1623817 RESTRICTED TO -	
0 PLC ± 0.5		PRODUCT SPEC -	SCALE NTS SHEET 2 OF 3 REV A	
1 PLC ± 0.2		APPLICATION SPEC -		
2 PLC ± 0.1		WEIGHT -		
3 PLC ± -		CUSTOMER DRAWING		
4 PLC ± -				
ANGLES ± 5				
MATERIAL -				
FINISH -				

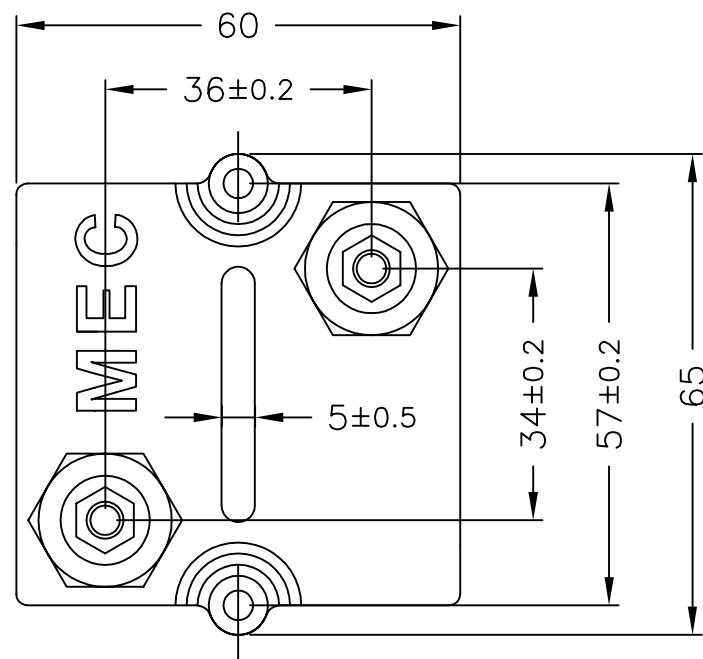
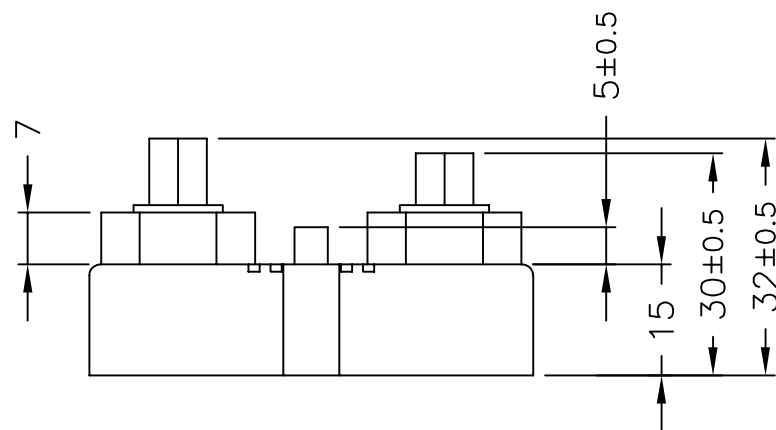
THIS DRAWING IS UNPUBLISHED.

RELEASED FOR PUBLICATION

NOV ,2005.

© COPYRIGHT 2005 BY TYCO ELECTRONICS CORPORATION. ALL RIGHTS RESERVED.

LOC	DIST	REVISIONS			
P	LTR	DESCRIPTION	DATE	DWN	APVD
E	B	A	FIRST REVISION	02NOV05	DK JC



BDS-500

CREEPING DISTANCE: 48.7mm MIN

CONTACTS M5, NORMAL
MAX TORQUE: 2Nm

MOUNTING SCREW: M4, NORMAL
MAX TORQUE: 1.8Nm

DIELECTRIC STRENGTH: 10kV
TEST TIME: 30sec

PARTIAL DISCHARGE:

10kV FOR 30sec, BACK TO
6kV FOR 30sec.,PARTIAL
DISCHARGE <10pC I

160W UNDER LOAD

MARKING:

BDS/500
R-VALUE/TOLERANCE
DATE OF MANUFACTURE year/week
LOT-CODE

FOR A SPECIFIC PN FOR A RESISTANCE VALUE AND TOLERANCE, PLEASE REFER TO DMF.

THIS DRAWING IS A CONTROLLED DOCUMENT.		DWN DAVE KENNEDY 01NOV05	Tyco Electronics Corporation Dorcan, Swindon, SN3 5HH													
DIMENSIONS: MM		CHK J CATCHPOLE 02NOV05	NAME BDS600, BDS500 & R9000 SERIES													
TOLERANCES UNLESS OTHERWISE SPECIFIED:		APVD J CATCHPOLE 02NOV05	RESTRICTED TO													
<table border="0"> <tr><td>0 PLC</td><td>± 0.5</td></tr> <tr><td>1 PLC</td><td>± 0.2</td></tr> <tr><td>2 PLC</td><td>± 0.1</td></tr> <tr><td>3 PLC</td><td>± -</td></tr> <tr><td>4 PLC</td><td>± -</td></tr> <tr><td>ANGLES</td><td>± 5</td></tr> </table>		0 PLC	± 0.5	1 PLC	± 0.2	2 PLC	± 0.1	3 PLC	± -	4 PLC	± -	ANGLES	± 5	PRODUCT SPEC -	SIZE A3	CAGE CODE 00779
0 PLC	± 0.5															
1 PLC	± 0.2															
2 PLC	± 0.1															
3 PLC	± -															
4 PLC	± -															
ANGLES	± 5															
MATERIAL -	FINISH -	APPLICATION SPEC -	DRAWING NO C=1623817	SCALE NTS												
CUSTOMER DRAWING			SHEET 3 OF 3	REV A												