

4

3

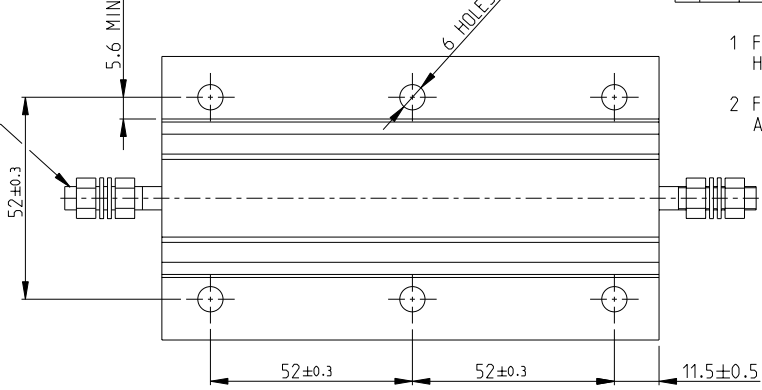
2

1

THIS DRAWING IS UNPUBLISHED. RELEASED FOR PUBLICATION SEP. 2005
 © COPYRIGHT 2005 BY TYCO ELECTRONICS CORPORATION. ALL RIGHTS RESERVED.

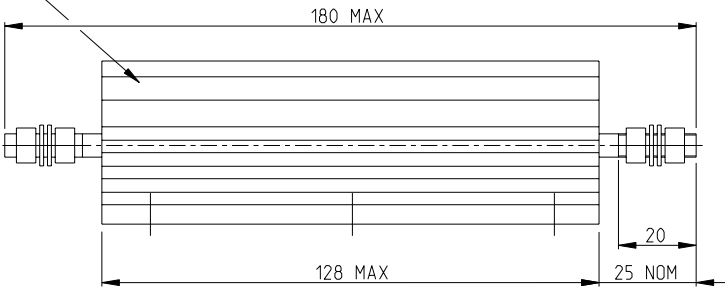
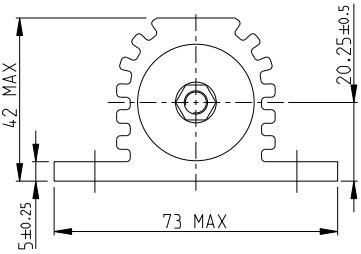
LOC		DIST		REVISIONS				
P	LTR	DESCRIPTION			DATE	DWN	APVD	
E	B	A1	Released as per ECR-08-022292			4-Sep-08	SP	JC

M6 ST/STEEL TERMINAL STUDS,
 EACH SUPPLIED WITH :
 2 OFF M6 ST/STEEL FULL NUTS
 2 OFF M6/STEEL PLAN WASHERS

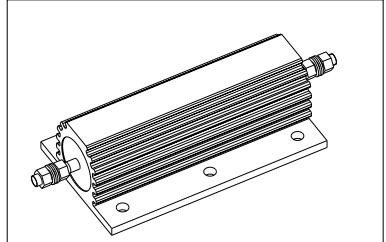


- 1 FOR FURTHER INFORMATION SEE DATA SHEET FOR HS SERIES-ALUMINIUM HOUSED RESISTORS
- 2 FOR A SPECIFIC PN FOR A RESISTANCE VALUE AND TOLERANCE, PLEASE REFER TO DMF

GOLD ANODISED ALUMINIUM HOUSINGS



RoHS Compliant



<small>THIS DRAWING IS A CONTROLLED DOCUMENT FOR TYCO ELECTRONICS CORPORATION IT IS SUBJECT TO CHANGE AND THE CONTROLLING ENGINEERING ORGANIZATION SHOULD BE CONTACTED FOR THE LATEST REVISION.</small>		DWN DAVE KENNEDY 28.SEP.05 CHK J CATCHPOLE 29.SEP.05 APVD J CATCHPOLE 29.SEP.05	Tyco Electronics Tyco Electronics Corporation Dorcan, Swindon, SN3 5HH
DIMENSIONS: mm 	TOLERANCES UNLESS OTHERWISE SPECIFIED: 0 PLC ±0.5 1 PLC ±0.2 2 PLC ±0.1 3 PLC ± 4 PLC ± ANGLES ±5°	NAME HSC300 PRODUCT SPEC APPLICATION SPEC WEIGHT	SIZE A3 CAGE CODE 00779 DRAWING NO C-1630027 RESTRICTED TO
MATERIAL -	FINISH -	CUSTOMER DRAWING	SCALE 1:1 SHEET 1 OF 1 REV A1

AMP 1470-19 REV 31MAR2000

Pro/ENGINEER DRAWING