

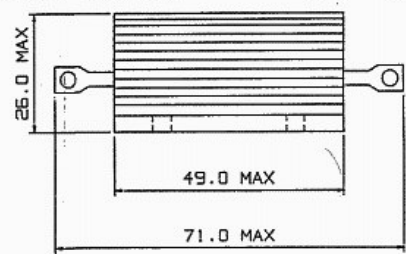
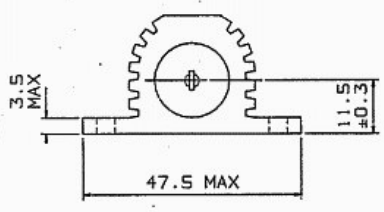
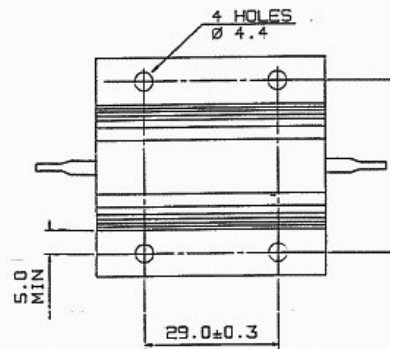
THIS DRAWING IS UNPUBLISHED. RELEASED FOR PUBLICATION SEP. 2006.
 © COPYRIGHT 2005 BY TYCO ELECTRONICS CORPORATION. ALL RIGHTS RESERVED.

| LOC | DIST | REVISIONS | | | |
|-----|------|---------------|---------|-----|------|
| P | LTR | DESCRIPTION | DATE | DWN | APVD |
| A | TE | FIRST RELEASE | 03JUN08 | PK | JC |

TECHNICAL SPECIFICATION

DISSIPATION AT 25°C 75 WATTS MOUNTED
 OHMIC RANGE ON STD HEATSINK
 R10 TO 50K
 STABILITY ΔR ≤ 2%
 per 1000hrs
 ISOLATION VOLTAGE 3500v DC/AC pk
 MAX WORKING VOLTAGE 1400V DC/AC rms
 TEMP COEFFICIENT >1R0 50ppm
 >100R 25ppm
 CLIMATIC CATEGORY 55/200/56

FOR FURTHER INFORMATION SEE
 DATA SHEET FOR THIS SERIES
 ALUMINIUM HOUSED RESISTORS



NOTE:
 1) FOR A SPECIFIC PN FOR A RESISTANCE VALUE
 AND TOLERANCE, PLEASE REFER TO DMF.

RoHS Compliant

| | | | | | |
|--|--|---|--|--|--|
| THIS DRAWING IS A CONTROLLED DOCUMENT. | | DWN PRAKASH KANNIAH 03JUN08 CHK R BLANCH 03JUN08 | | Tyco Electronics Corporation Dorcan, Swindon, SN3 5HH | |
| DIMENSIONS: MM | | TOLERANCES UNLESS OTHERWISE SPECIFIED: | | NAME THS75 METAL CLAD RESISTOR | |
| | | 0 PLC ± - 1 PLC ± - 2 PLC ± - 3 PLC ± - 4 PLC ± - ANGLES ± - | | APVD J CATCHPOLE 03JUN08 | |
| MATERIAL - | | FINISH - | | SIZE A3 CAGE CODE 00779 DRAWING NO 1879363 | |
| CUSTOMER DRAWING | | | | RESTRICTED TO - | |
| | | | | SCALE NTS SHEET 1 OF 1 REV A | |