

THIS DRAWING IS UNPUBLISHED.

RELEASED FOR PUBLICATION

SEPT ,2006.

© COPYRIGHT 2006 BY TYCO ELECTRONICS CORPORATION. ALL RIGHTS RESERVED.

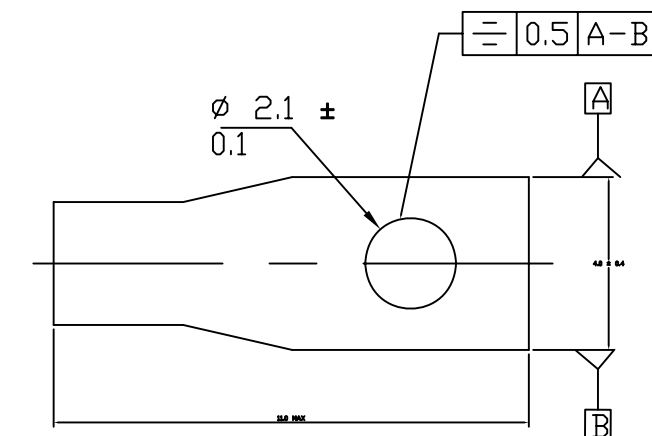
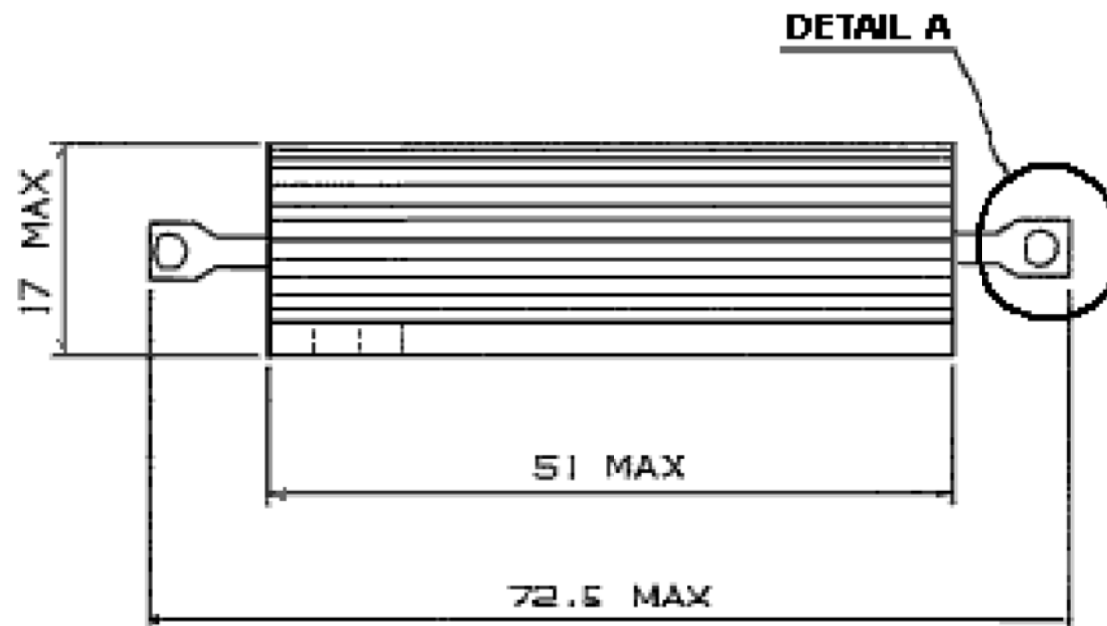
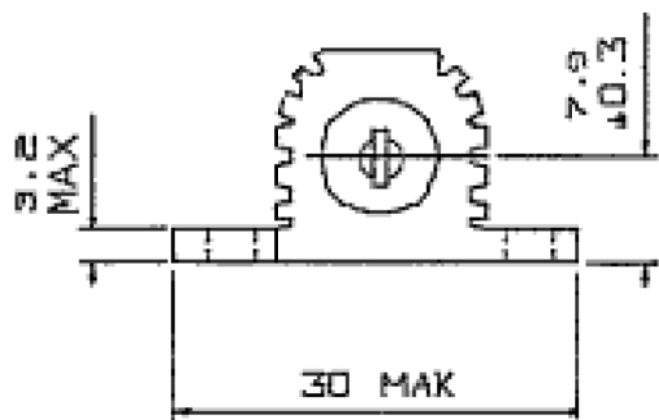
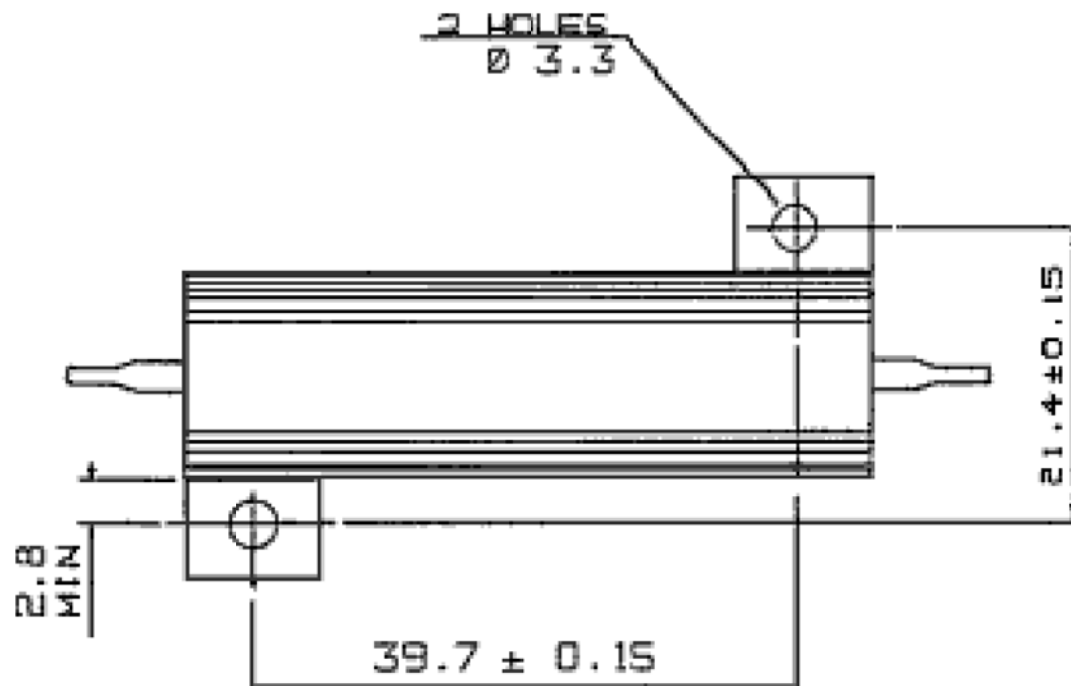
LOC E DIST B

REVISIONS

P	LTR	DESCRIPTION	DATE	DWN	APVD
0		TYCO FIRST ISSUE	19SEPT06	RB	JC

TECHNICAL SPECIFICATION

DISSIPATION AT 25°C	50 WATTS MOUNTED ON STANDARD HEATSINK
BS OHMIC RANGE	R01 TO 50 K
STABILITY	$\Delta R \leq 1\%$ PER 1000 HRS
ISOLATION VOLTAGE	2500V DC/AC PK
MAX WORKING VOLTAGE	1250V DC/AC RMS
TEMP COEFFICIENT	<100R ± 50 ppm/°C >100R ± 30 ppm/°C
CLIMATIC CATEGORY	55/200/56



DETAIL A

FOR A SPECIFIC PN FOR A RESISTANCE VALUE AND TOLERANCE, PLEASE REFER TO DMF.

RoHS Compliant

THIS DRAWING IS A CONTROLLED DOCUMENT.		DWN	ROB BLANCH	19SEPT06	tyco Electronics	Tyco Electronics Corporation	
DIMENSIONS: MM		CHK	J CATCHPOLE	19SEPT06		Dorcan, Swindon, SN3 5HH	
TOLERANCES UNLESS OTHERWISE SPECIFIED:		APVD	J CATCHPOLE	19SEPT06	NAME		
0 PLC	± -	PRODUCT SPEC		THS50 NARROW BORE METAL CLAD RESISTOR			
1 PLC	± -	APPLICATION SPEC		RESTRICTED TO			
2 PLC	± -	WEIGHT		SIZE	CAGE CODE	DRAWING NO	RESTRICTED TO
3 PLC	± -	MATERIAL		A3	00779	C=1879071	-
4 PLC	± -	FINISH		CUSTOMER DRAWING			SCALE
ANGLES	± -	-		NTS			SHEET
-		-		1 OF 1			REV
-		-		0			