

4

3

2

1

THIS DRAWING IS UNPUBLISHED.

RELEASED FOR PUBLICATION

SEPT .2006.

© COPYRIGHT 2006 BY TYCO ELECTRONICS CORPORATION. ALL RIGHTS RESERVED.

LOC

DIST

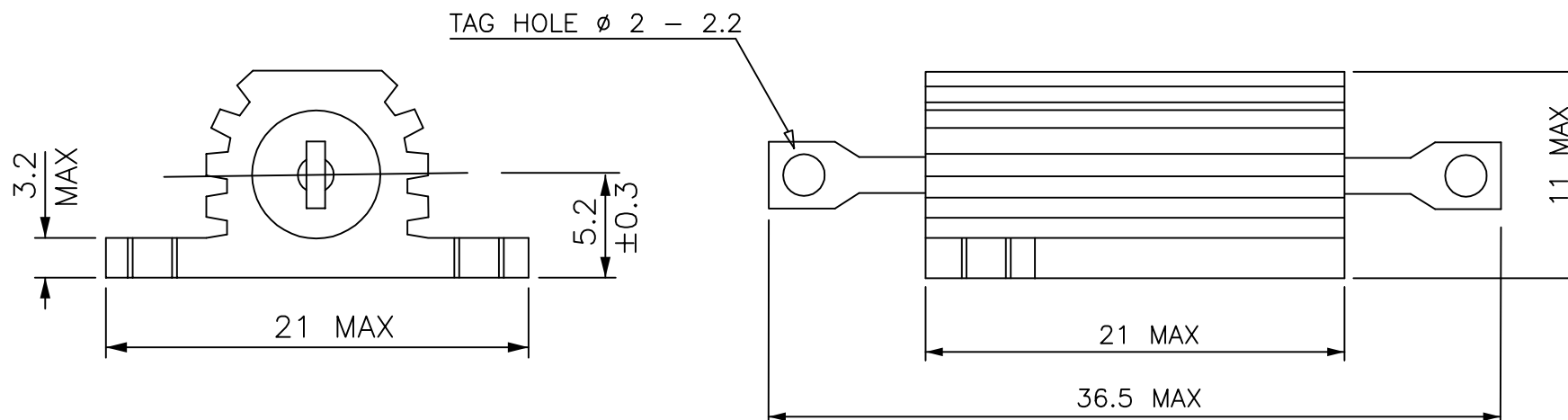
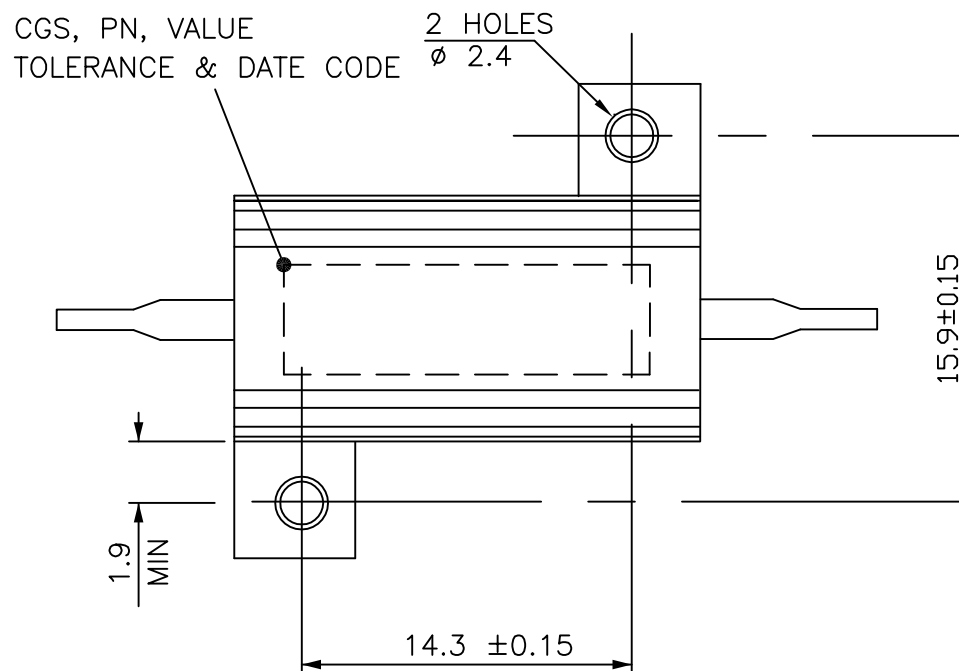
REVISIONS

P	LTR	DESCRIPTION	DATE	DWN	APVD
	O	FIRST TYCO ISSUE	19SEPT06	RB	JC

TECHNICAL SPECIFICATION

DISSIPATION AT 25°C	16 WATTS MOUNTED ON STANDARD HEATSINK
BS OHMIC RANGE	R01 TO 10K
STABILITY	$\Delta R \leq 1\%$ PER 1000HRS
ISOLATION VOLTAGE	1400V DC/AC PK
MAX WORKING VOLTAGE	265V DC/AC RMS
TEMP COEFFICIENT	<100R $\pm 50\text{ppm}/^\circ\text{C}$ >100R $\pm 30\text{ppm}/^\circ\text{C}$
CLIMATIC CATEGORY	55/200/56

FOR FURTHER INFORMATION SEE DATA SHEET FOR THS SERIES ALUMINIUM HOUSED RESISTORS



FOR A SPECIFIC PN A RESISTANCE VALUE AND TOLERANCE, PLEASE REFER TO DMF.

RoHS Compliant

THIS DRAWING IS A CONTROLLED DOCUMENT.		DWN R BLANCH 19SEPT06	Tyco Electronics Corporation Dorcan, Swindon, GB	
DIMENSIONS: MM		CHK J CATCHPOLE 19SEPT06	NAME THS15 METAL CLAD RESISTOR	
TOLERANCES UNLESS OTHERWISE SPECIFIED:		APVD J CATCHPOLE 19SEPT06	SIZE A3	
0 PLC ± 0.5		PRODUCT SPEC	CAGE CODE 00779	DRAWING NO C-1879074
1 PLC ± 0.2		APPLICATION SPEC	RESTRICTED TO	
2 PLC ± 0.1		—	—	
3 PLC $\pm -$		WEIGHT	—	
4 PLC $\pm -$		—	—	
ANGLES ± 5		CUSTOMER DRAWING	SCALE NTS	SHEET 1 OF 1
MATERIAL	FINISH	—		REV 0