

4

3

2

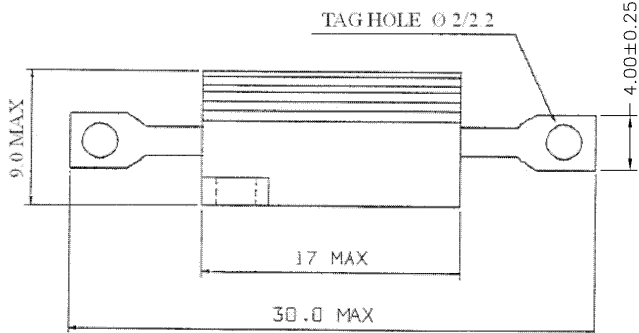
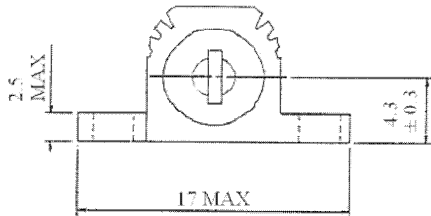
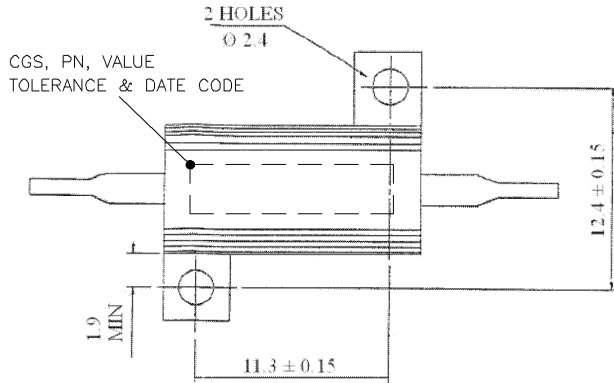
1

THIS DRAWING IS UNPUBLISHED. RELEASED FOR PUBLICATION SEPT. 2006.
 © COPYRIGHT 2006 BY TYCO ELECTRONICS CORPORATION. ALL RIGHTS RESERVED.

LOC		DIST		REVISIONS			
P	LTR	DESCRIPTION	DATE	DWN	APVD		
	BA	ECR-09-006018	16MAR09	SM	CB		

Technical Specification

Dissipation at 25°C	10 Watts Mounted on std heatsink
BS Ohmic Range	R01 to 10K
Stability	$\Delta R \leq 1\%$ per 1000hrs
Isolation Voltage	1400V DC/AC pk
Max Working Voltage	160 V DC/AC rms
Temp Coefficient	<100R ± 50 ppm/°C >100R ± 30 ppm/°C
Climatic Category	55/200/56



RoHS Compliant

FOR A SPECIFIC PN FOR A RESISTANCE VALUE AND TOLERANCE, PLEASE REFER TO DMF.

THIS DRAWING IS A CONTROLLED DOCUMENT.		DWN R BLANCH 19SEPT06	Tyco Electronics Corporation Dorcan, Swindon, SN3 5HH	
DIMENSIONS: INCHES		CHK J CATCHPOLE 19SEPT06	NAME THS10 METAL CLAD RESISTOR	
TOLERANCES UNLESS OTHERWISE SPECIFIED: 0 PLC ± 0.5 1 PLC ± 0.2 2 PLC ± 0.1 3 PLC \pm 4 PLC ANGLES ± 5		APVD J CATCHPOLE 19SEPT06	RESTRICTED TO	
MATERIAL		APPLICATION SPEC	SIZE A3	CAGE CODE 00779
FINISH		WEIGHT	DRAWING NO C=1879073	SCALE NTS
		CUSTOMER DRAWING	SHEET 1	OF 1
			REV BA	