

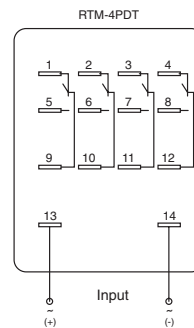
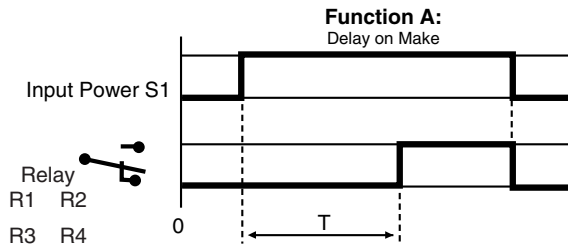
# RTM SERIES DELAY ON MAKE TIMER

UL listed CSA recognized

- **Subminiature 21 x 27mm Enclosure**
- **7 Timing Ranges (0.1 sec to 100 hrs)**
- **Low Cost**
- **4PDT Relay Output**
- **LED Power On Indicator**
- **LED Relay Indicator**



**WIRING DIAGRAM:**

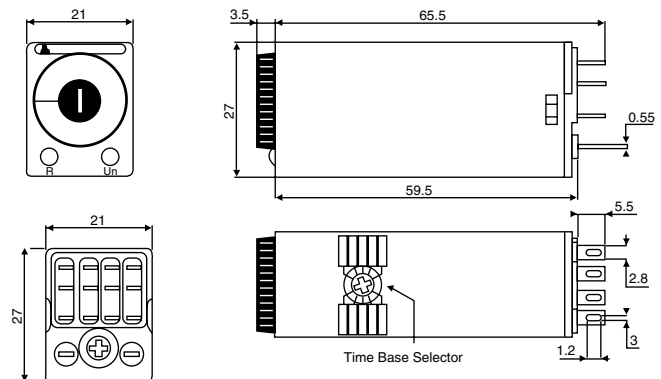


**SPECIFICATIONS:**

<b>Input Power</b>	230 VAC, 115 VAC, ±15%, 50/60Hz
<b>Power consumption</b>	3 VA at 230 VAC 3 VA at 115 VAC
<b>Output Rating</b>	4PDT Version
<b>Maximum load</b>	5 Amp
<b>Maximum switching voltage</b>	100 m Amp
<b>Maximum power rating</b>	240 VAC
<b>Electrical life at 240 VAC</b>	2 x 10 <sup>5</sup> operations
<b>Mechanical life</b>	10 <sup>7</sup> operations
<b>Setting error</b>	±20%
<b>Repeat accuracy</b>	±0.5%
<b>Reset time</b>	50 msec. after timing 100 msec. during timing
<b>Dielectric strength</b>	2KV VAC between coil and contact 1000 VAC between contacts
<b>Noise Immunity</b>	Consult Factory
<b>Operating temperature</b>	-20°C to +60°C
<b>Weight</b>	50 grams

**Note:** When Time Base Selector is on "Inst.," the output relays will turn on instantaneously

**DIMENSIONS: (mm)**



See "Accessories" section for PC Board and DIN-Rail sockets

**ORDERING INFORMATION:**

<u>Voltage</u>	<u>Part Number</u>
	4 PDT Version
<b>Voltage</b>	<b>4 PDT Version</b>
12 VDC	88896201
24 VDC	88896202
24 VAC	88896203
115 VAC	88896206
230 VAC	88896207

Products and specifications subject to change without notice.  
Consult factory for application assistance.