

GNA3 Series

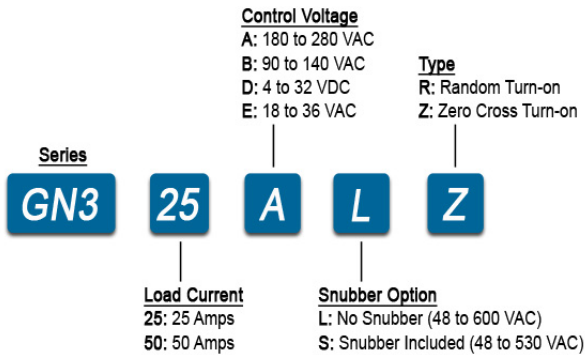


- Current ratings of 25 and 50 amps
- Output voltage 48-600 VAC
- Direct bond copper substrate
- LED input status indicator
- IP20 “touch-safe” cover
- Transient protection built-in
- 100K-Cycle UL508 endurance rating for enhanced reliability
- UL/CSA/TUV Approved, CE & RoHS Compliant

PRODUCT SELECTION

Control Voltage	25A	50A
4-32 VDC	GN325DLZ	GN350DLZ
18-36 VAC	GN325ELZ	GN350ELZ
90-140 VAC	GN325BLZ	GN350BLZ
180-280 VAC	GN325ALZ	GN350ALZ

AVAILABLE OPTIONS



OUTPUT SPECIFICATIONS (1)

Description	25A	50A
Operating Voltage (47-63Hz) [Vrms]	48-600	48-600
Transient Overvoltage [Vpk, t = 1 min.]	1200	1200
Static off-state dv/dt (V μ s, Ta = 25°C) (2)	500	500
Maximum Load Current [Arms] (3)	25A	50A
Minimum Load Current [mArms]	100	100
Maximum Off-State Leakage Current [mArms] (4)	0.06	0.06
1 cycle surge current (50Hz)	275	710
1 cycle surge current (60Hz)	300	750
1 second surge current (Apk, Ta = 25°C) 50/60 Hz	85	150
Forward Voltage Drop (Vpk @ I μ max, Ta = 25°C)	1.35	1.35
I μ T (50Hz, 1/2 cycle)	380	2520
I μ T (60Hz, 1/2 cycle)	370	2320
Thermal Resistance Junction to baseplate (Rjb) [°C/W]	0.24	0.12
HP Ratings at 120V / FLC	0.75 / 6.4A	1.5 / 12A
HP Ratings at 240V / FLC	1 / 4.2A	3 / 9.6A
HP Ratings at 480V / FLC	3 / 4.8A	7.5 / 11A
HP Ratings at 600V / FLC	5 / 6.1A	10 / 11A
Min/Max wire size [AWG]	16/8	16/8
Screw Torque Range [in lbs/Nm]	18-20 / 2.03-2.26	18-20 / 2.03-2.26

INPUT SPECIFICATIONS (1)

Description	GN3xxDx	GN3xxEx	GN3xxBx	GN3xxAx
Input Voltage Range (5)	4-32 VDC	18-36 VAC	90-140 VAC	180-280 VAC
Minimum Turn-On Voltage	4.0 VDC	18 Vrms	90 Vrms	180 Vrms
Drop out Voltage	1.0 VDC	10 Vrms	10 Vrms	10 Vrms
Maximum Input Current	35mA	20mArms	16mArms	16mArms
Minimum input current (for on-state)	24mA	15mArms	7mArms	7mArms
Input Resistance	Current Regulated			
Turn-on time (5)	8.33ms	20ms	20ms	20ms
Turn-off time	8.33ms	30ms	30ms	30ms
Min/Max wire size [AWG]	24/14			
Screw Torque Range [in lbs/Nm]	8-10 / 0.9-1.13			

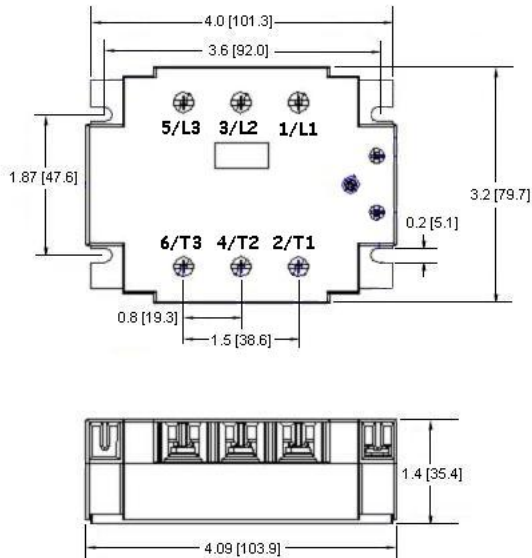
GENERAL SPECIFICATIONS

Description	Parameters
Ambient Operating Temperature Range (5)	-40 to 80 °C
Ambient Storage Temperature Range	-40 to 100 °C
Input to output isolation	4000 Vrms
Input/output to ground isolation	2500 Vrms
Input to output capacitance	8 pF
Housing Material	UL 94V0 (self extinguishing)
Status Indicating Display	Green LED
Weight (typical)	0.79 lbs (360 g)

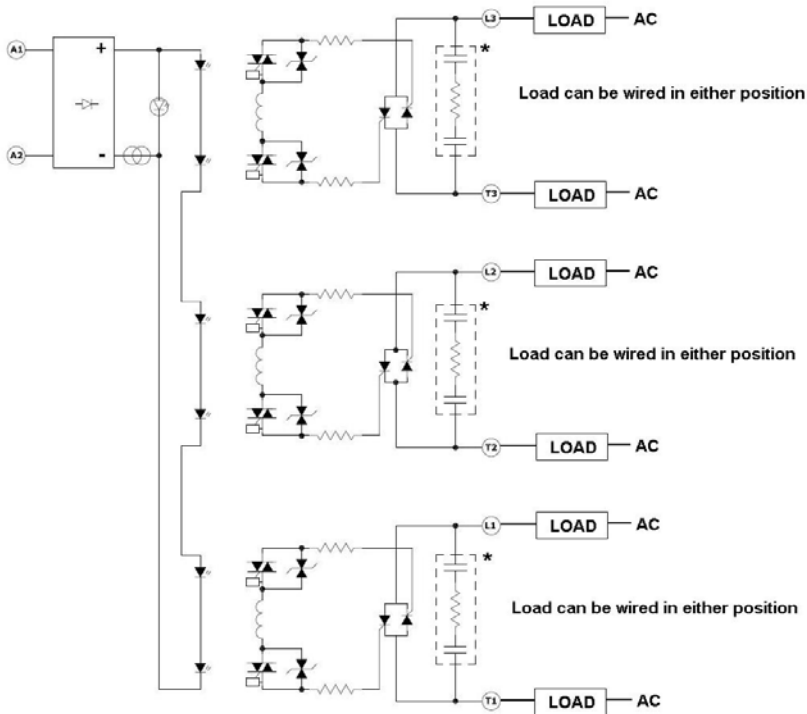
GENERAL NOTES

- 1) All parameters at 25°C unless otherwise specified.
- 2) When mounted to the proper size heat sink (see derating curves)
- 3) Measured between 1/L1 and 2/T1 or 3/L2 and 4/T2
- 4) Off-State dv/dt test method per EIA/NARM standard RS-443, paragraph 13.1.1.1

MECHANICAL SPECIFICATIONS



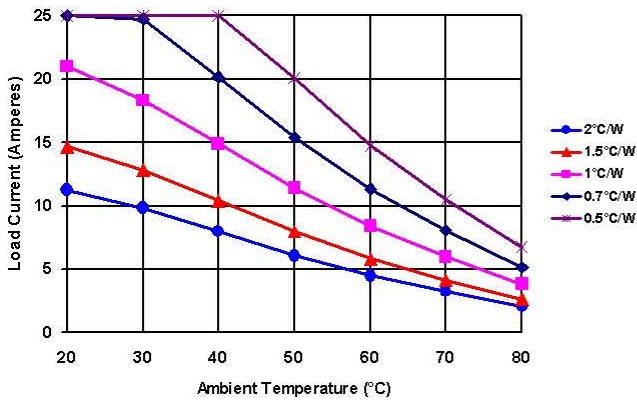
WIRING DIAGRAM



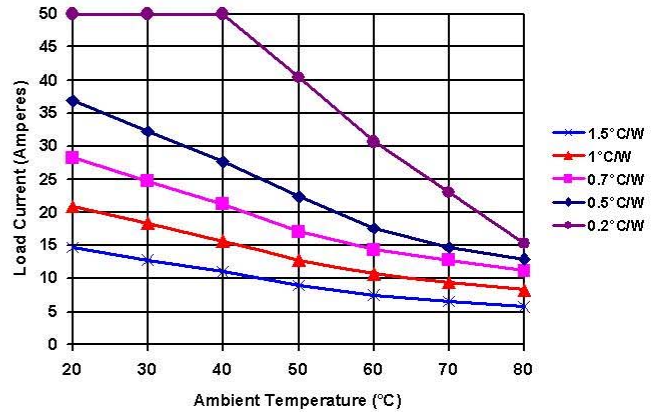
* Snubber not included in all models.

THERMAL DERATE INFORMATION

DERATE CURVES:
GN3 3 Phase SSR 25A



DERATE CURVES:
GN3 3 Phase SSR 50A



Heat Sink part numbers corresponding to °C/W ratings above: 1.0°C/W = HS103 0.5°C/W = HS051
All others consult factory

AGENCY APPROVALS

IEC 62314

IEC 60068-2-6 35mm / 10-55Hz

IEC 60068-2-27 15G / 11ms

IEC 1000-4-2 : Electrostatic Discharge – Level 3

IEC 1000-4-3 : Radiated Electromagnetic Noise – Level 3

IEC 1000-4-4 : Electrically Fast Transients – Level 3

IEC 1000-4-5 : Electrical Surges – Level 3

IEC 1000-4-6 : Conducted Electromagnetic Noise – Level 3

CISPIR 11 – Class A: Allowable Levels of Conducted and Radiated Noise for Industrial Environments



E79183,



LR38595



Rev. 061310

⚠ DANGER / PELIGRO / DANGER /GEFAHR / PERICOLO / PERIGO					
<p>HAZARD OF ELECTRIC SHOCK, EXPLOSION, OR ARC FLASH.</p> <ul style="list-style-type: none"> • Disconnect all power before installing or working with this equipment. • Verify all connections and replace all covers before turning on power. <p>Failure to follow these instructions will result in death or serious injury.</p>	<p>RIESGO DE DESCARGA ELECTRICA O EXPLOSION.</p> <ul style="list-style-type: none"> • Desconectar todos los suministros de energia a este equipo antes de trabajar con este equipo. • Verificar todas las conexiones y colocar todas las tapas antes de energizar el equipo. <p>EI incumplimiento de estas instrucciones puede provocar la muerte o lesiones serias.</p>	<p>RISQUE DE DESCARGE ELECTRIQUE OU EXPLOSION</p> <ul style="list-style-type: none"> • Eteindre toutes les sources d'énergie de cet appareil avant de travailler dessus de cet appareil • Vérifier tous connections, et remettre tous couverts en olace avant de mettre sous <p>De non-suivi de ces instructions provoquera la mort ou des lésions sérieuses sérieuses.</p>	<p>GEFAHR EINES ELEKTRISCHE N SCHLAGES ODER EINER EXPLOSION.</p> <ul style="list-style-type: none"> • Stellen Sie jeglichen Strom ab, der dieses Gerät versorgt, bevor Sie an dem Gerät Arbeiten durchführen • Vor der Inbetriebnahme alle Anschlüsse überprüfen und alle Gehäuseteile montieren. <p>Unterlassung dieser Anweisungen können zum Tode oder zu schweren Verletzungen führen.</p>	<p>RISCHIO DI SCOSSA ELETTRICA O DELL'ESPLOSIONE.</p> <ul style="list-style-type: none"> • Spenga tutta l'alimentazion e che fornisce questa apparecchiatura prima del lavorare a questa apparecchiatura • Verificare tutti i collegamenti e sostituire tutte le coperture prima della rotazione sull'alimentazione <p>L'omissione di seguire queste istruzioni provocherà la morte o di lesioni serie</p>	<p>RISCO DE DESCARGA ELÉTRICA OU EXPLOÇÃO</p> <ul style="list-style-type: none"> • Desconectar o equipamento de toda a energia antes de instalar ou trabalhar com este equipamento • Verificar todas as conexões e recolocar todas as tampas antes de religar o equipamento <p>O não cumprimento destas instruções pode levar a morte ou lesões sérias.</p>

⚠ WARNING / AVERTISSEMENT / WARNUNG /ADVERTENCIA / AVVERTENZA / AVISO		
<p>RISK OF MATERIAL DAMAGE AND HOT ENCLOSURE</p> <ul style="list-style-type: none"> • The product's side panels may be hot, allow time for product to cool before touching. • Follow proper mounting instructions including torque values. • Do not allow liquids or foreign objects to enter this product. <p>Failure to follow this instruction can result in serious injury, or equipment damage.</p>	<p>RISQUE DE DOMMAGE MATERIEL ET DE SURCHAUFFE DU BOITIER</p> <ul style="list-style-type: none"> • Les panneaux latéraux du produit peuvent être chauds. Laisser le produit refroidir avant de le toucher. • Respecter les consignes de montage, et notamment les couples de serrage. • Ne pas laisser pénétrer de liquide ni de corps étrangers à l'intérieur du produit. <p>Le non-respect de cette directive peut entraîner, des lésions corporelles graves ou des dommages matériels.</p>	<p>GEFAHR VON MATERIALSCHÄDEN UND GEHÄUSEERHITZUNG</p> <ul style="list-style-type: none"> • Die Seitenwände können heiß sein. Lassen Sie das Produkt abkühlen, bevor Sie es berühren. • Beachten Sie die Montageanweisungen, • Führen Sie keine Flüssigkeiten oder Fremdkörper in das Produkt ein. <p>Die Nichtbeachtung dieser Anweisung kann Körperverletzung oder Materialschäden zur Folge haben.</p>
<p>RIESGO DE DAÑOS MATERIALES Y DE SOBRECALENTAMIENTO DE LA UNIDAD</p> <ul style="list-style-type: none"> • Los paneles laterales del producto pueden estar calientes. Esperar que el producto se enfríe antes de tocarlo. • Respetar las instrucciones de montaje, y en particular los pares de apretado. • No dejar que penetren líquidos o cuerpos extraños en el producto. <p>Si no se respetan estas precauciones pueden producirse graves lesiones, daños materiales.</p>	<p>RISCHIO DI DANNI MATERIALI E D'INVOLUCRO CALDO</p> <ul style="list-style-type: none"> • I pannelli laterali dell'apparecchio possono scottare; lasciar quindi raffreddare il prodotto prima di toccarlo. • Seguire le istruzioni di montaggio corrette. • Non far entrare liquidi o oggetti estranei in questo apparecchio. <p>La mancata osservanza di questa precauzione può causare gravi rischi per l'incolumità personale o danni alle apparecchiature.</p>	<p>RISCO DE DANO MATERIAL E DE AQUECIMENTO</p> <ul style="list-style-type: none"> • Os painéis laterais do produto podem estar quentes; dê tempo ao produto para arrefecer antes de lhe tocar. • Siga devidamente as instruções de montagem. • Não permita a entrada de líquidos e de objectos estranhos no produto. <p>A não observância destas precauções pode provocar a morte, ferimentos graves ou danos materiais.</p>

ANNEX - ENVIROMENTAL INFORMATION

The environmental information disclosed in this annex including the EIP Pollution logo are in compliance with People's Republic of China Electronic Industry Standard SJ/T11364 – 2006, Marking for Control of Pollution Caused by Electronic Information Products.

Part Name	Toxic or hazardous Substance and Elements					
	Lead (Pb)	Mercury (Hg)	Cadmium (Cd)	Hexavalent Chromium (Cr (VI))	Polybrominated biphenyls (PBB)	Polybrominated diphenyl ethers (PBDE)
Semiconductor die	X	0	0	0	0	0
Solder	X	0	0	0	0	0

此附件所标示的包括电子信息产品污染图标的环保信息符合中华人民共和国电子行业标准 **SJ/T11364 - 2006**, 电子信息产品污染控制标识要求



部件名称	有毒有害物质或元素					
	铅 (Pb)	汞 (Hg)	镉 (Cd)	六价铬 (Cr (VI))	多溴联苯 (PBB)	多溴二苯醚 (PBDE)
半导体芯片	X	0	0	0	0	0
焊接点	X	0	0	0	0	0