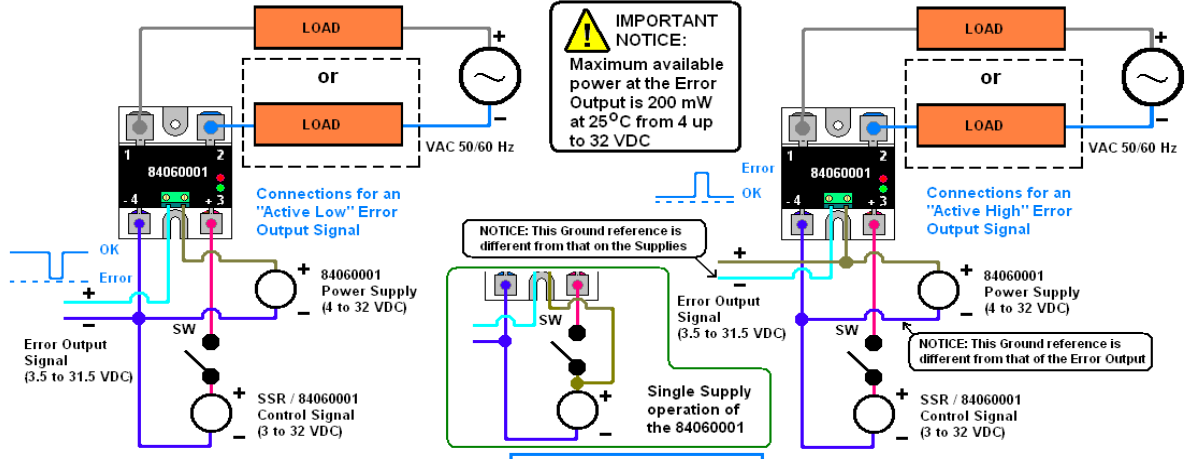


**CORRECT CONNECTIONS FOR THE 84060001**

**CORRECT CONNECTIONS FOR THE 84060001**

**IMPORTANT NOTICE:**  
Maximum available power at the Error Output is 200 mW at 25°C from 4 up to 32 VDC



**84060001 SETUP**

**INCORRECT CONNECTIONS FOR THE 84060001**

**INCORRECT CONNECTIONS FOR THE 84060001**

**IMPORTANT NOTICE:**  
For your safety and for the proper operation of the 84060001 in your system, always check your Ground References and Voltages as well as the Wiring before turning the systems ON.

