

# UMK 33 Relay Base

Data Sheet 1092A

January 2000

## Features

- Accepts up to 4 PDT relay
- Pluggable base accepts Potter & Brumfield KHA/KHS series and Aromat HC4 series relays
- DIN-rail mounted
- Coil status indication for 24 V dc or 120 V ac
- Separation of coil and contact wiring

## Description

The UMK 33 base manufactured by Phoenix Contact allows for a variety of relays to be utilized within one base. The module will accept the following relay contact configurations:

1 PDT, 2 PDT, 3 PDT and 4 PDT.

The UMK 33 standard relay base can be used with any coil voltage. Status indication bases are also available for 24 V dc or 120 V ac.

For hazardous applications, the UMK 33 base can be fitted with the KHS series relay from Potter & Brumfield. This relay is hermetically sealed and UL approved for Class 1 Division 2 hazardous locations. A relay mounting clip must be used for this application to prevent accidental removal of the relay during operation.

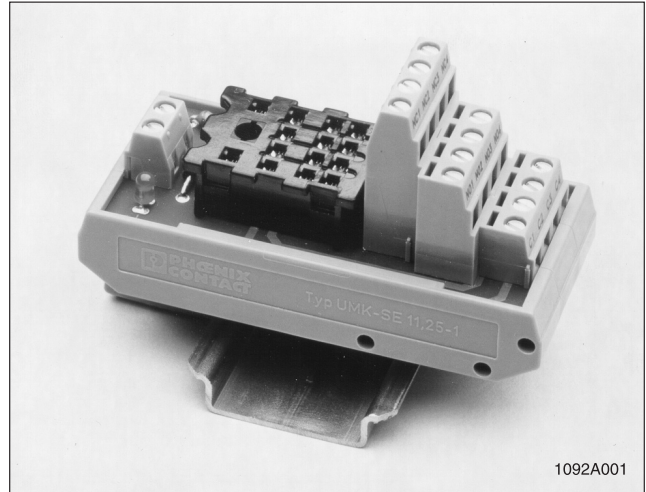


Figure 1. UMK 33 Relay Base

Table 1. UMK 33 Relay Base Specifications

General Specifications	
<b>Technical Data</b>	
Contact rating .....	10 A @ 300 V maximum
Coil rating .....	Dependent on relay used with module
<b>General</b>	
Full wire range .....	30 - 14 AWG
Operating temperature .....	-20°C to 65°C
Electrical life .....	relay specific
Isolation (coil contact) .....	relay specific
<b>Dimensions</b>	
Height .....	3.15 in. (54.5 mm)
Width .....	1.33 in. (33.7 mm)
Depth .....	3.03 in. (77 mm)

1092A002

# UMK 33 Relay Base

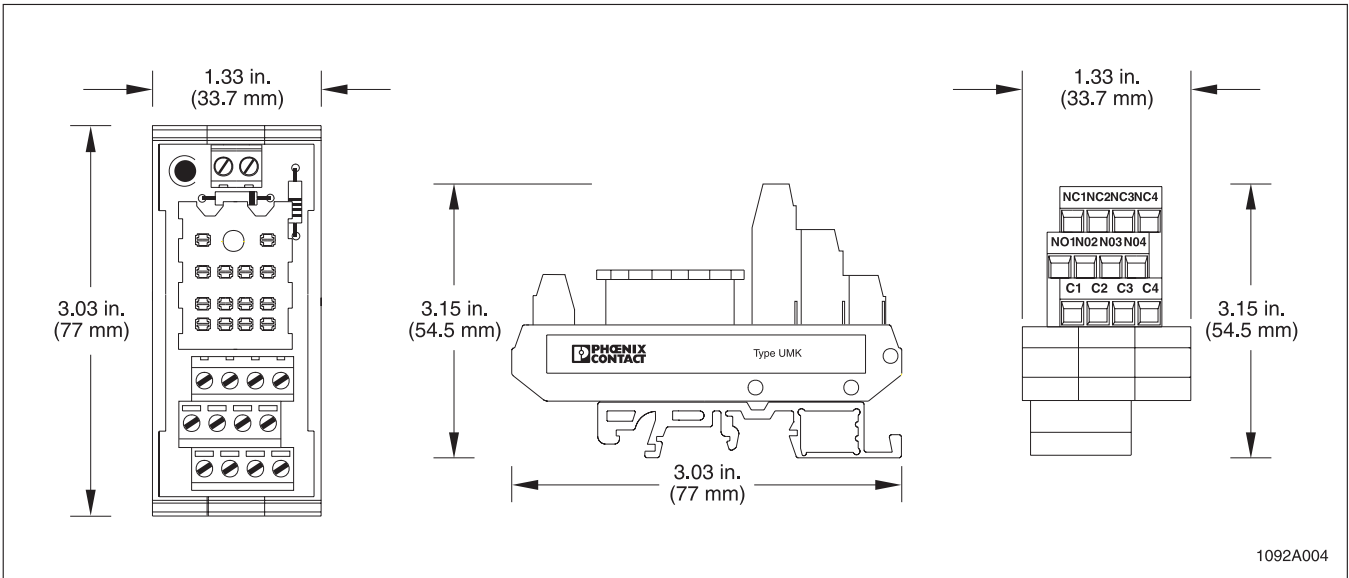


Figure 2. UMK 33 Relay Base Dimensions

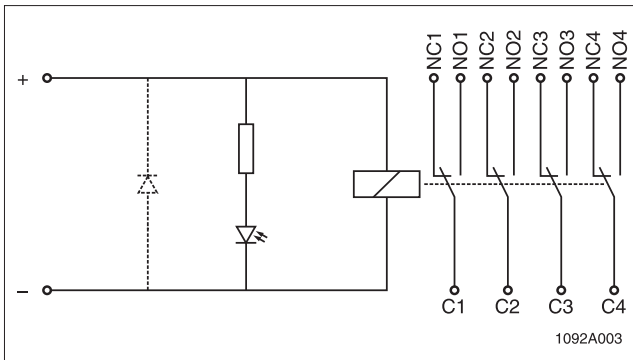


Figure 3. UMK 33 Relay Base Block Diagram

The following are suggested relays for use in the UMK 33 base:

### Potter & Brumfield

- KHS-17D12-24\*
- KHS-17A12-120\*
- KHAU-17D12-24
- KHAU-17A12-120
- 20C217 (mounting clip)

### Omron

- MY4-DC24
- MY4-AC120

### Aromat

- HC4HDC24
- HC4HAC120

\* Hermetically sealed relays

## Ordering Information

### Standard Base (no indication)

UMK 33-REL NI/4X21-ST 55 21 83 0

### Base with coil status indication

UMK 33-REL 24/4X21-ST 55 21 81 4  
 UMK 33-REL 120/4X21-ST 55 21 82 7

### Headquarters, U.S.

Phoenix Contact Inc.  
 P.O. Box 4100  
 Harrisburg, PA 17111-0100  
 Technical Support and Information: (800) 322-3225  
 Fax: (717) 948-3475  
 Fax-On-Demand: (800) 944-9901  
 Email: [info@phoenixcon.com](mailto:info@phoenixcon.com)  
 Web Site: <http://www.phoenixcontact.com>

### Headquarters, Canada

Phoenix Contact Ltd.  
 235 Watline Avenue  
 Mississauga, Ontario L4Z 1P3  
 Phone: (905) 890-2820  
 Fax: (905) 890-0180

The information given herein is based on data believed to be reliable, but Phoenix Contact Inc. makes no warranties expressed or implied as to the accuracy and assumes no liability arising out of its use by others. This publication is not to be taken as license to operate under, or recommendation to infringe, any patent.

