

4

3

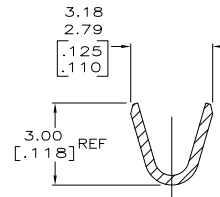
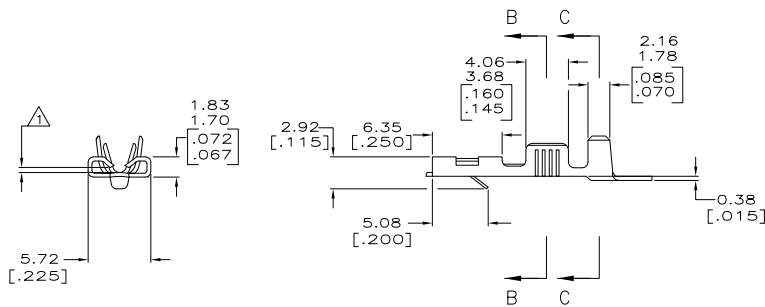
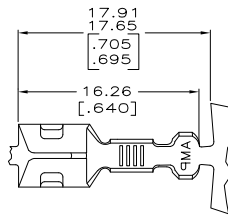
2

1

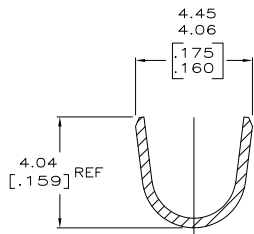
THIS DRAWING IS UNPUBLISHED. RELEASED FOR PUBLICATION
 BY TYCO ELECTRONICS CORPORATION. ALL RIGHTS RESERVED.

LOC	DIST	REVISIONS		DATE	BY	APP'D
F	LN	DESCRIPTION				
	K1	REVISED PER ECO-09-010355		4/28/09	SS	JO

- 1. FITS 4.75 X 0.46 [.187 X .018] THICK TABS.
- 2. INSULATION RANGE: 2.67-3.30 [.105-.130] DIA.
- 3. WIRE RANGE: 0.5-1.4 mm² (20-16 AWG).
- 4. DIMENSIONS IN BRACKETS ARE IN INCHES.



SECTION B-B
SCALE 10:1



SECTION C-C
SCALE 10:1

METRIC

350490-1
PART NUMBER

THIS DRAWING IS A CONTROLLED DOCUMENT.		DRW K. WHITAKER	090C12005	Tyco Electronics Corporation Harrisburg, PA 17105-3608	
DIMENSIONS: mm [INCHES]		CHK D.	090C12005	RECEPTACLE, RELAY, 187 SERIES	
TOLERANCES UNLESS OTHERWISE SPECIFIED:		APPRO D. BOSSI	090C12005	SIZE A2	
0 PLG	± .005	PRODUCT SPEC		CAGE CODE	DRAWING NO
1 PLG	± .005			000779	C=350490
2 PLG	± .010				
3 PLG	± .010				
4 PLG	± .010				
ANGLES	± .005				
MATERIAL	0.36 [.014] BRASS	FINISH	PRE-TIN PLATED	CUSTOMER DRAWING	SCALE 4:1 SHEET 1 of 1 REV K1