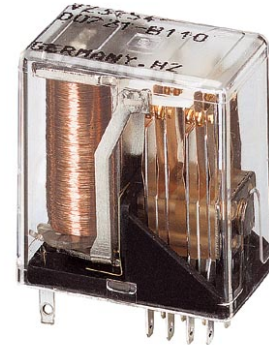


REL-SG 24/B110

Order No.: 2960067



<http://eshop.phoenixcontact.de/phoenix/treeViewClick.do?UID=2960067>

KAMMRELAIS®, contact B 110, size 2, low-level contact, 4 PDTs, input voltage 24 V DC

| Commercial data | |
|--------------------------|--------------------|
| EAN | 4017918086473 |
| Pack | 10 pcs. |
| Customs tariff | 85364190 |
| Weight/Piece | 0.02777 KG |
| Catalog page information | Page 103 (IF-2002) |

Product notes

WEEE/RoHS-compliant since:
09/18/2006



<http://www.download.phoenixcontact.com>
Please note that the data given here has been taken from the online catalog. For comprehensive information and data, please refer to the user documentation. The General Terms and Conditions of Use apply to Internet downloads.

| Technical data | |
|---|-----------------------|
| Coil side | |
| Nominal input voltage U_N | 24 V DC |
| Input voltage range in reference to U_N | 0.8 ... 1.1 |
| Typical response time | 8 ms |
| Typical release time | 3 ms |
| Coil resistance | 890 \pm 937; +/- 89 |

Contact side

| | |
|---------------------------------------|---|
| Contact type | Single contact |
| Contact material | Silver (Ag), gold-flashed |
| Maximum switching voltage | 125 V AC 150 V DC |
| Maximum inrush current | 2 A |
| Limiting continuous current | 2 A |
| Interrupting rating (ohmic load) max. | 48 W (for 24 V DC) 40 W (for 48 V DC) 40 W (for 60 V DC) 45 W (for 110 V DC) 50 VA (for 125 V AC) |

General data

| | |
|--|--------------------------------|
| Test voltage relay winding/relay contact | 500 V AC (50 Hz, 1 min) |
| Test voltage PDT/PDT | 500 V AC (50 Hz, 1 min) |
| Ambient temperature (operation) | -40 °C ... 70 °C |
| Ambient temperature (storage/transport) | -40 °C ... 70 °C |
| Service life mechanical | Approx. 10 ⁸ cycles |

Certificates / Approvals

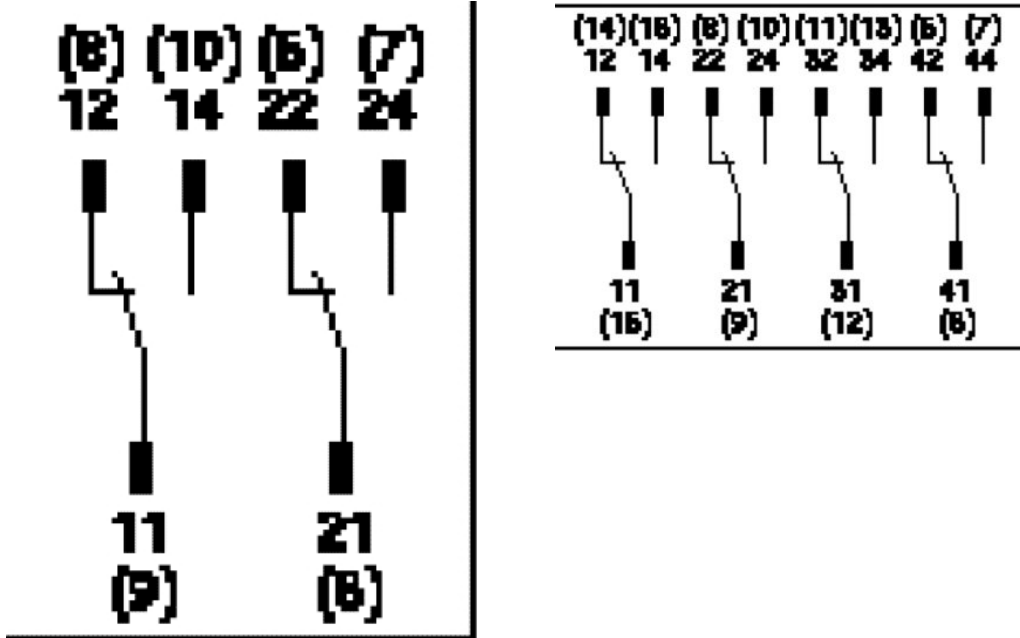


Certification

GOST

Diagrams/Drawings

Circuit diagram



Address

PHOENIX CONTACT Inc., USA
586 Fulling Mill Road
Middletown, PA 17057, USA
Phone (800) 888-7388
Fax (717) 944-1625
<http://www.phoenixcon.com>



© 2010 Phoenix Contact
Technical modifications reserved;