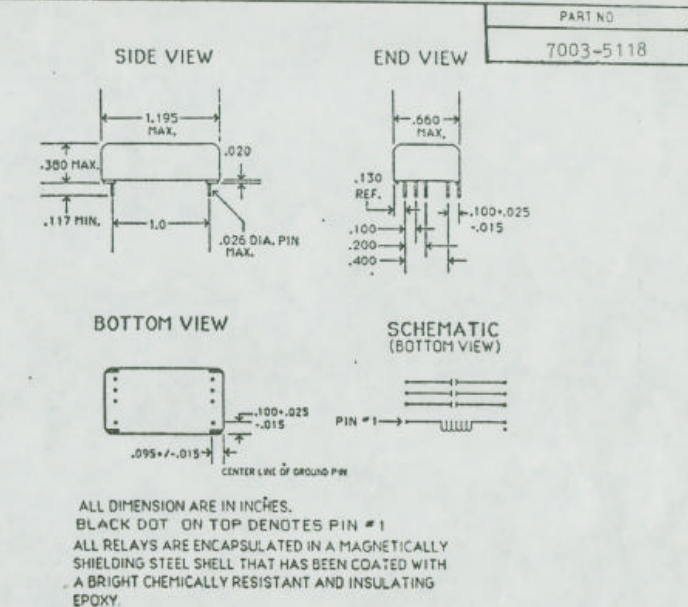


PARAMETER	TEST CONDITIONS	MIN.	NOM.	MAX.	UNITS
Coil Resistance		270	300	330	Ohms
Nom. Voltage			5.0		VDC
Must Operate				3.75	VDC
Must Release		0.4			VDC
Max. Switch Voltage	DC Peak AC			200	Volts
Max. Switch Current	DC Peak AC Resistive			0.5	Amps
Max. Carry Current	DC Peak AC			1.0	Amps
Max. Contact Rating	DC Resistive			10.0	Watts
Life Expectancy	At Signal Level	SEE NOTE			X10 ⁶ OPERATIONS
	At Rated Load	SEE NOTE			
Static Contact Resistance (Initial)	0.050 Volt, 10 mA Contact Load			0.100	Ohms
Dynamic Contact Resistance (Initial)	0.5 Volt, 50 mA Load 100 Hz, 1.5 msec after coil energized			0.200	Ohms
Insulation Resistance	Between all isolated pins @ 100 V, 25 deg C, 40% relative humidity	10 ¹⁰			Ohms
Dielectric Strength (Minimum)	Between Contacts	AC VRMS	300		Volts
	Contacts to Shield		*		
	Contacts and Shield to Coil	AC VRMS	1,600		Volts
Operating Time (Including Bounce)	At Nominal Voltage 30 Hz Sq. wave		0.5	1.0	msec.
Released Time	Zener Diode Clamp Coil Suppression		0.1	0.5	msec.

CAPACITANCE: Across open contacts: 1.5 pF max.
 Open contacts to coil: 2.9 pF max.
 Closed contacts to coil: 5.6 pF max.
 Between adjacent switches: 1.7 pF max.
 * Switch #1 250VAC VRMS.



NOTE: SWITCH # 1 TO ACTUATE 25 μSEC BEFORE SWITCHES #2 AND #3 WITH THE COIL DRIVEN AT 5.0 VOLTS, 10 HZ MAX.

LIFE EXPECTANCY:

AT SIGNAL LEVEL: 5.0 V - 1.0 mA: 250x 10⁶ operations nominal.

AT RATED LOAD: 20.0 V - 0.5 Amp: 5x10⁶ operations nominal.
 150.0 VDC, 50 mA. with 300 mA. inrush current upon closure: 1x10⁶ operations nominal.

All parameters specified per EIA/NARM standard for dry relays No. RS-421 & RS-436. Specifications subject to change without notice. Unless otherwise noted, all parameters specified @ 25°C, 40% RH.

REVISION				CUST. P/N: MA-0256-100
	DRAWN: T.J.	APPROVE: <i>[Signature]</i>	DATE: 10/17/89	NAME: REED RELAY, 3 FORM A
			SCALE: N/A	PART NO.: 7003-5118
	FOR: GOULD/MODICON			COTO CORPORATION 55 Dupont Dr. Prov., RI