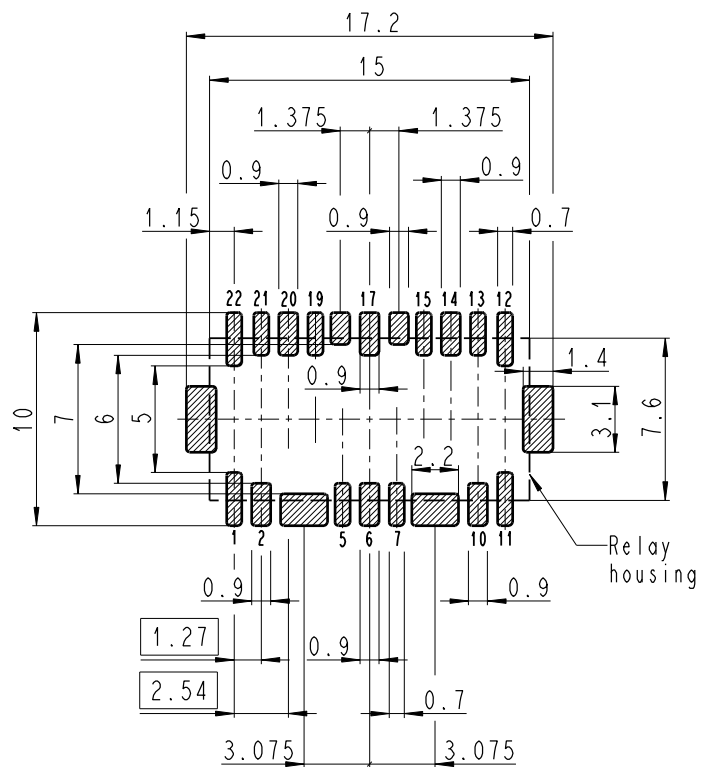
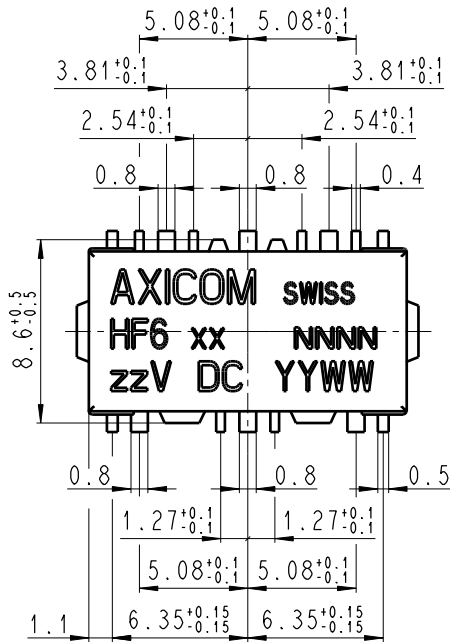
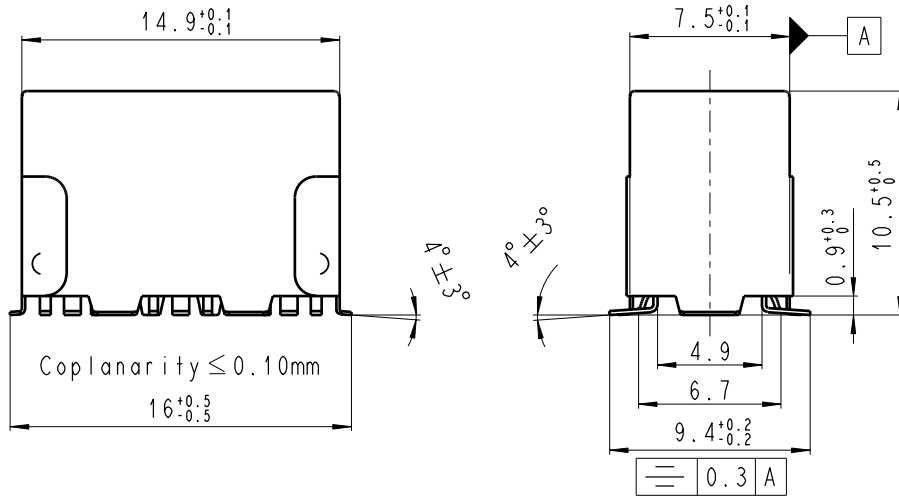


LOC	DIST	REVISIONS					
P	LTR	DESCRIPTION			DATE	DWN	APVD
HJ	-	C		New Coplanarity	21JUL2009	UKo	HD
		D		New metal cover	23SEP2009	UKo	HD
		E		New Coplanarity, Solder Pad Layout	15JAN2010	UKo	HD
		F		Printing	09JUL2010	UKo	HD



XX = Relay type
ZZ = nominal voltage
YYWW = Date code
NNNN = Lot number

2006

RELEASED FOR PUBLICATION

THIS DRAWING IS UNPUBLISHED.

© COPYRIGHT 2006 BY TYCO ELECTRONICS CORPORATION. ALL RIGHTS RESERVED.

DIMENSIONS: mm		DWN UKo 9193	06Nov2006	MATERIAL		FINISH	
TOLERANCES UNLESS OTHERWISE SPECIFIED: DIN 7168-m		CHK HD 9121	06Nov2006	Tyco Electronics Tyco Electronics Logistics AG Werk Axicom Au, CH-8804 Au ZH			
0 PLC ±-		APVD HD 9121	06Nov2006				
1 PLC ±-		PRODUCT SPEC		NAME HF6-Relay 50Ω Dimensions			
2 PLC ±-		APPLICATION SPEC		SIZE			
3 PLC ±-		-		CAGE CODE			
4 PLC ±-		-		DRAWING NO			
ANGLES ±1°		WEIGHT		RESTRICTED TO			
		-		A 4 00779 ©=1462052-2			
CUSTOMER DRAWING		SCALE 3:1		SHEET 1 OF 1		REV F	