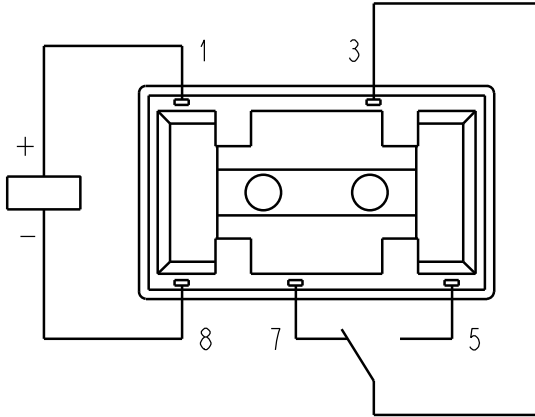
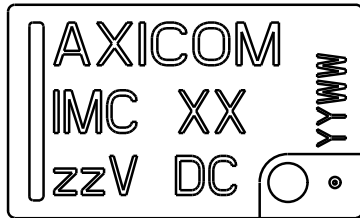
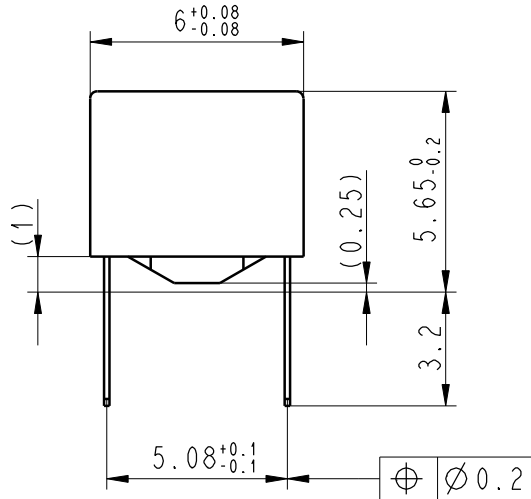
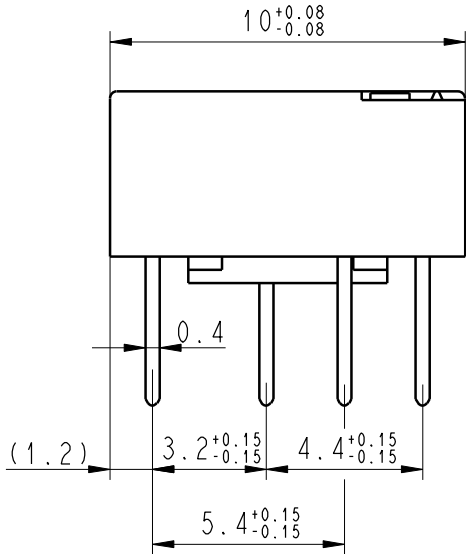


LOC	DIST	REVISIONS					
HJ	-	P	LTR	DESCRIPTION	DATE	DWN	APVD



Relay - bottom view



XX = Relay type
zz = nominal voltage
YYWW = Date code

THIS DRAWING IS UNPUBLISHED.

© COPYRIGHT 2008 BY TYCO ELECTRONICS CORPORATION. ALL RIGHTS RESERVED.

DIMENSIONS: mm	DWN UK 9193 18Jun2008	MATERIAL	FINISH
	CHK HD 9121 18Jun2008		
TOLERANCES UNLESS OTHERWISE SPECIFIED: DIN 7168-m	APVD HD 9121 18Jun2008	Tyco Electronics Logistics AG Werk Axicom Au, CH-8804 Au ZH	
	PRODUCT SPEC		
0 PLC ±-	APPLICATION SPEC	NAME IMC-Relay THT (1CO) Dimensions	
1 PLC ±-		SIZE A4	RESTRICTED TO
2 PLC ±-		CAGE CODE 00779	
3 PLC ±-		DRAWING NO C-1462042-1	
4 PLC ±-			
ANGLES ±-	WEIGHT -		
	CUSTOMER DRAWING	SCALE 5:1	SHEET 1 OF 1 REV A1