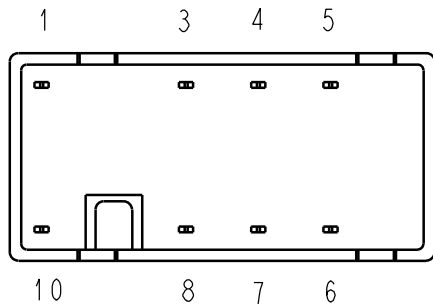
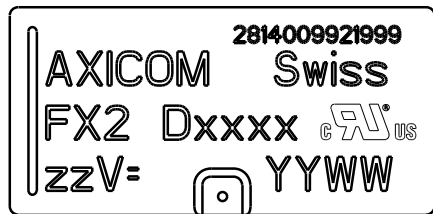
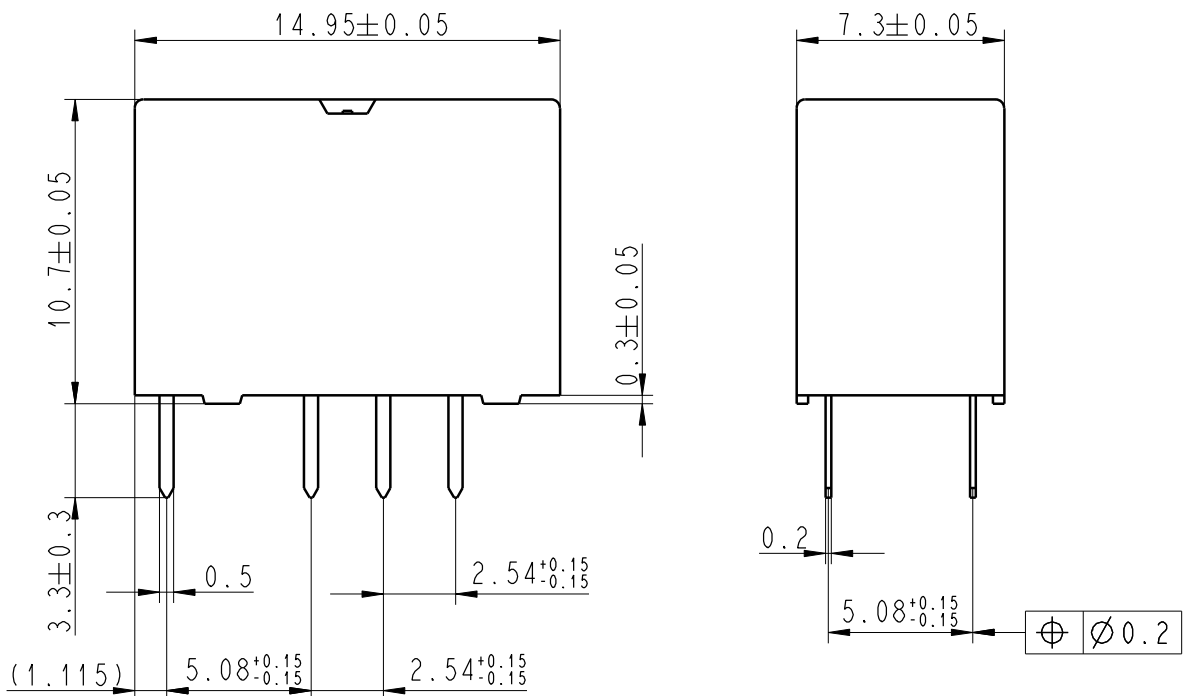


LOC	DIST	REVISIONS				
P	LTR	DESCRIPTION	DATE	DWN	APVD	
HJ	-					
	A4	Doc change D02309-DOK51 to C-1462034-2	30Jan2006	UKo	HD	
	A5	change marking	28Jul2006	UKo	HD	



Relay - bottom view



xxxx = Relay type
zz = nominal voltage
YYWW = Date code

DRAWING ALIAS	D02309-DOK51
---------------	--------------

2006 RELEASED FOR PUBLICATION

THIS DRAWING IS UNPUBLISHED.

© COPYRIGHT 2006 BY TYCO ELECTRONICS CORPORATION. ALL RIGHTS RESERVED.

DIMENSIONS: mm	DWN RG 9181	21Mar1995	MATERIAL	-	FINISH	-	
	CHK HD 9121	21Mar1995	tyco Electronics AXICOM AG CH - 8804 Au ZH				
TOLERANCES UNLESS OTHERWISE SPECIFIED: DIN 7168-m	APVD HD 9121	21Mar1995					
0 PLC ±-	PRODUCT SPEC	-	NAME FX2-Relay Dimensions				
1 PLC ±-	APPLICATION SPEC	-					
2 PLC ±-	WEIGHT	-	SIZE	A 4	CAGE CODE	00779	
3 PLC ±-		CUSTOMER DRAWING	DRAWING NO	C-1462034-2		RESTRICTED TO	-
4 PLC ±-			SCALE	4:1	SHEET	1	OF
ANGLES ±-			REV	A5			