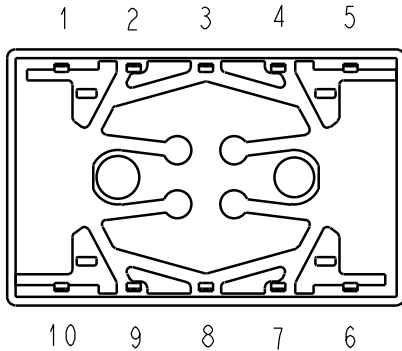
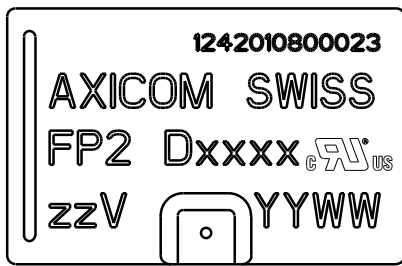
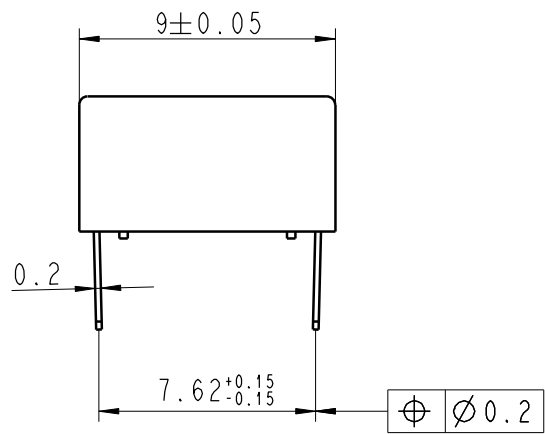
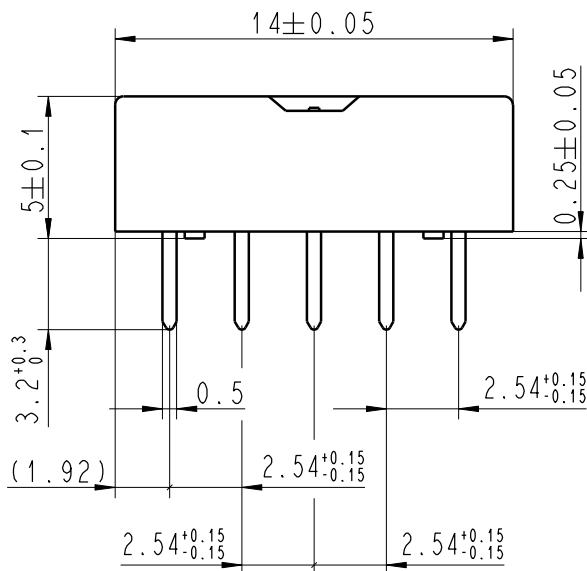


LOC	DIST	REVISIONS					
P	LTR	DESCRIPTION	DATE	DWN	APVD		
HJ	-	A2		Doc change D02239-DOK51 to C-1462033-2	30Jan2006	UKo	HD
		A3		change marking	28Jul2006	UKo	HD



Relay - bottom view



xxxx = Relay type  
zz = nominal voltage  
YYWW = Date code

2006

RELEASED FOR PUBLICATION

THIS DRAWING IS UNPUBLISHED.

© COPYRIGHT 2006 BY TYCO ELECTRONICS CORPORATION. ALL RIGHTS RESERVED.

DIMENSIONS: mm		DWN AB 9124	23Aug1995	MATERIAL -	FINISH -
TOLERANCES UNLESS OTHERWISE SPECIFIED: DIN 7168-m		CHK HD 9121	23Aug1995	tyco Electronics AXICOM AG CH - 8804 Au ZH	
0 PLC ±- 1 PLC ±- 2 PLC ±- 3 PLC ±- 4 PLC ±- ANGLES ±-		APVD HD 9121	23Aug1995		
		PRODUCT SPEC -		NAME FP2-Relay Dimensions	
		APPLICATION SPEC -		SIZE A 4	CAGE CODE 00779
		WEIGHT -		DRAWING NO C-1462033-2	RESTRICTED TO -
		CUSTOMER DRAWING			SCALE 4:1
					SHEET 1
					OF 1
					REV A3

DRAWING ALIAS D02239-DOK51