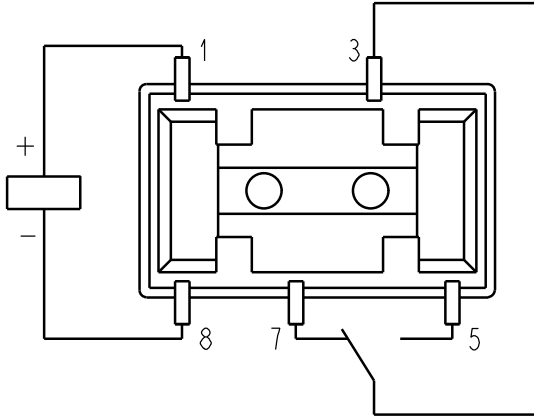
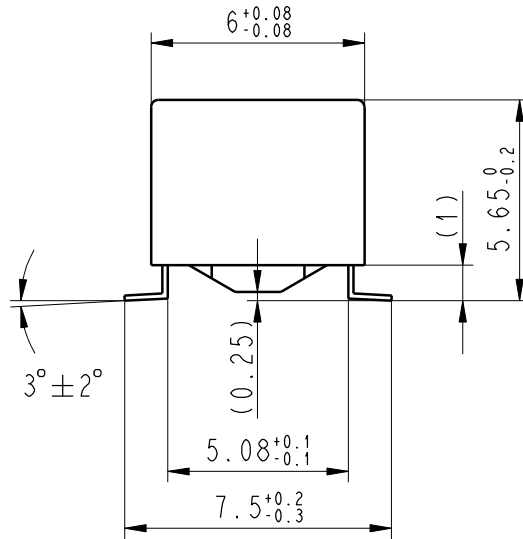
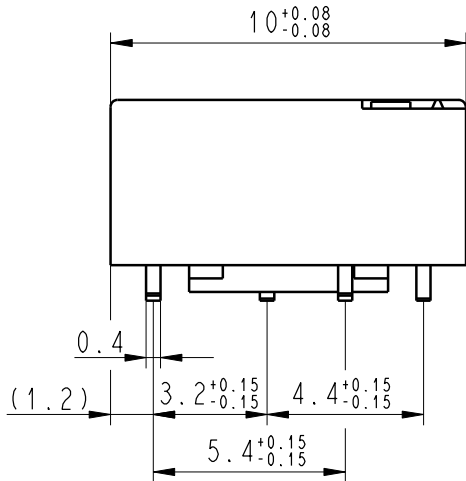


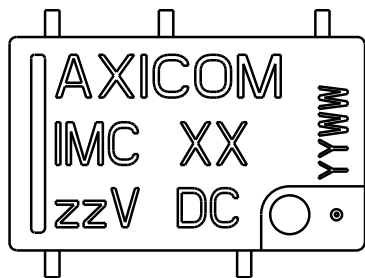
LOC	DIST	REVISIONS				
P	LTR	DESCRIPTION	DATE	DWN	APVD	
HJ	-					



Relay - bottom view



Coplanarity < 0.10mm



XX = Relay type
zz = nominal voltage
YYWW = Date code

THIS DRAWING IS UNPUBLISHED. ALL RIGHTS RESERVED. © COPYRIGHT 2008 BY TYCO ELECTRONICS CORPORATION.

DIMENSIONS: mm	DWN	BD 9199	01 Jul 2008	MATERIAL	-	FINISH	-
	CHK	UKo 9193	01 Jul 2008	Tyco Electronics Tyco Electronics Logistics AG Werk Axicom Au, CH-8804 Au ZH			
TOLERANCES UNLESS OTHERWISE SPECIFIED: DIN 7168-m	APVD	HD 9121	01 Jul 2008				
0 PLC ±-	PRODUCT SPEC	NAME					
1 PLC ±-	-	IMC-Relay SMT Gull Wings (1CO)					
2 PLC ±-	APPLICATION SPEC	Dimensions					
3 PLC ±-	-	SIZE	CAGE CODE	DRAWING NO	RESTRICTED TO		
4 PLC ±-	WEIGHT	A4	00779	C-1462042-2	-		
ANGLES ±-	CUSTOMER DRAWING	SCALE		5:1	SHEET	1 OF 1	REV
							A1