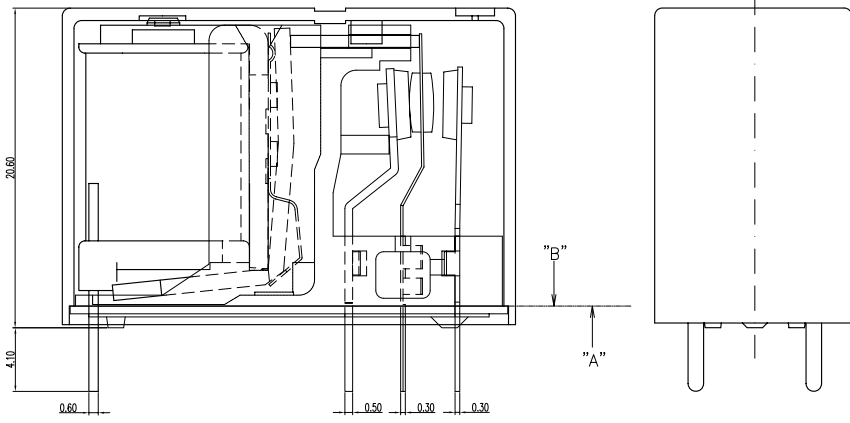
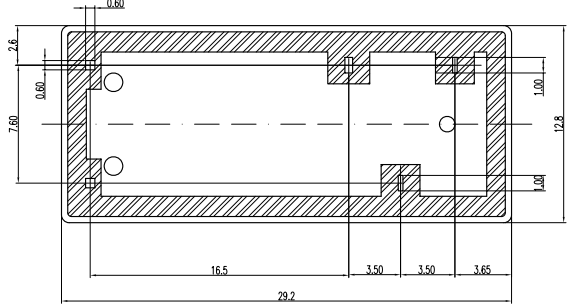


THIS DRAWING IS UNPUBLISHED. RELEASED FOR PUBLICATION
 © COPYRIGHT BY TYCO ELECTRONICS CORPORATION. ALL RIGHTS RESERVED.

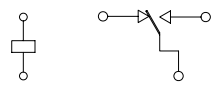
LOC		DIST		REVISIONS					
P	LTR	DESCRIPTION	ECO	DATE	DWN	APVD			
	A	Release		03APR06	Y.X	N.F			
	B	MARKING CHANGE	ECO-07-013869	25MAY07	XN.Z	W.Y			



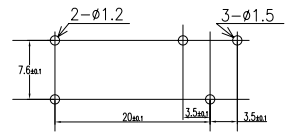
NOTE:
 1.PART "B" SHOULD FIT PART "A" AFTER CASE INSERTION PROCESS



CONNECTION DIAGRAM
 (BOTTOM VIEW)



DRILLING DIAGRAM(2/1)
 (BOTTOM VIEW)

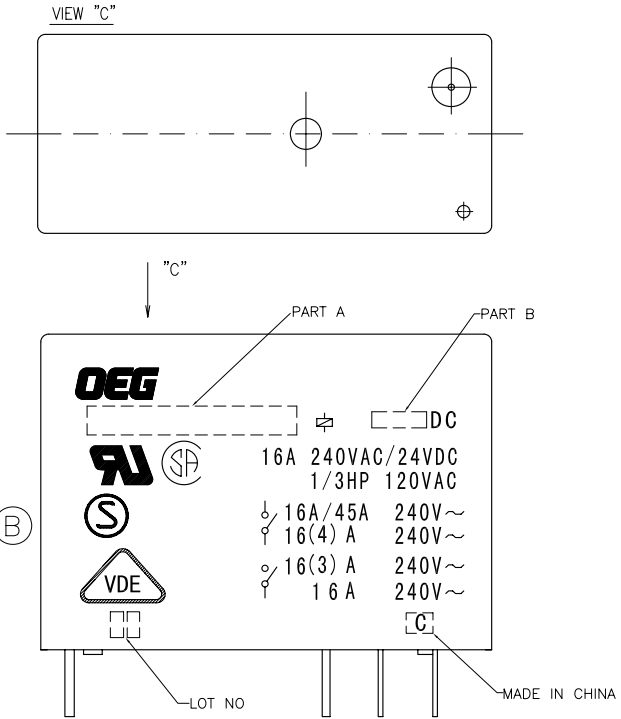


DIMENSION TOLERANCE	
MAX .1mm	±0.1
1mm~MAX.3mm	±0.2
MIN .3mm	±0.3

THIS DRAWING IS A CONTROLLED DOCUMENT.		DWN Y.Xiao	Tyco Electronics Corporation	
		CHK N.Fungayama	ShenZhen	
DIMENSIONS: mm		APVD CH.HSU	NAME	
TOLERANCES UNLESS OTHERWISE SPECIFIED:		OMIH(1T) SPEC 300 CUSTOMER DRAWING		
0 PLC ± -	1 PLC ± -	PRODUCT SPEC	SIZE CAGE CODE DRAWING NO RESTRICTED TO	
2 PLC ± -	3 PLC ± -	APPLICATION SPEC	A3 00779 C-8-1440000-3	
4 PLC ± -	ANGLES ± -	WEIGHT	CUSTOMER DRAWING SCALE 4:1 SHEET 1 of 3 REV B	
MATERIAL	FINISH			

THIS DRAWING IS UNPUBLISHED. RELEASED FOR PUBLICATION
 © COPYRIGHT - BY TYCO ELECTRONICS CORPORATION. ALL RIGHTS RESERVED.

LOC	DIST	REVISIONS				
P	LTR	DESCRIPTION	DATE	DWN	APVD	
HB	-	-	-	-	-	



n	OMIH-SS-148D,300	9-1440000-1	OMIH-SS-148D	48V
m	OMIH-SS-124L,300	9-1440000-0	OMIH-SS-124L	24V
l	OMIH-SS-124D,300	8-1440000-8	OMIH-SS-124D	24V
k	OMIH-SS-112L,300	8-1440000-5	OMIH-SS-112L	12V
j	OMIH-SS-112D,300	8-1440000-3	OMIH-SS-112D	12V
i	OMIH-SS-109L,300	8-1440000-1	OMIH-SS-109L	9V
h	OMIH-SS-109D,300	1-1461022-1	OMIH-SS-109D	9V
g	OMIH-SS-106L,300	1-1461022-0	OMIH-SS-106L	6V
f	OMIH-SS-106D,300	1461022-8	OMIH-SS-106D	6V
e	OMIH-SS-105L,300	1461022-6	OMIH-SS-105L	5V
d	OMIH-SS-105D,300	1461022-4	OMIH-SS-105D	5V
c	OMIH-SH-124L,300	1461022-2	OMIH-SH-124L	24V
b	OMIH-SH-105L,300	1-1419153-9	OMIH-SH-105L	5V
a	OMIH-SH-105D,300	6-1440000-6	OMIH-SH-105D	5V
No.	EC TYPE NAE	AMP PART NAE	PART A	PART B

RELAY TYPE

NOTES

1.LOT NUMBERING SYSTEM AS FOLLOWS:



THIS DRAWING IS A CONTROLLED DOCUMENT.		DWN Y.Xiao	Tyco Electronics Corporation ShenZhen	
DIMENSIONS: mm		CHK N.Funayama	Tyco Electronics	
TOLERANCES UNLESS OTHERWISE SPECIFIED:		APVD CH.HSU	NAME	
0 PLC ± -		PRODUCT SPEC	OMIH(1T) SPEC 300 CUSTOMER DRAWING	
1 PLC ± -		APPLICATION SPEC	SIZE CAGE CODE DRAWING NO RESTRICTED TO	
2 PLC ± -		WEIGHT	A3 00779 C=8-1440000-3	
3 PLC ± -		MATERIAL	SCALE 4:1 SHEET 2 of 3 REV B	
4 PLC ± -		FINISH		
ANGLES ± -		CUSTOMER DRAWING		

