



PICwriter PIC Programmer

The PICwriter package contains the following items:

- PICwriter Programming Module.
- PICwriter™ Serial Protocol Adapter.
- Modular Data Cable (4-wire).
- Power Supply (12volt AC, 500 ma).
- TechTools CDROM.

Hardware Installation

1. Attach one end of the Modular cable to the back of the PICwriter Serial Protocol Adapter, and the other end to the programmer module.
2. Firmly attach the PICwriter Serial Protocol Adapter to an empty SERIAL Port on your PC using the built-in thumb screws.
3. Plug the provided power supply into a standard 110/120 VAC electrical outlet and insert its barrel-type connector into the power socket on the programmer.
4. You are now ready to begin programming using the included supporting software.

NOTE: Power is automatically removed from the programming sockets during operation in order to provide "Hot Swap" capability, so unplugging the unit between programming cycles is not necessary.

Software Installation

Complete supporting software is located on the TechTools CDROM, and includes:

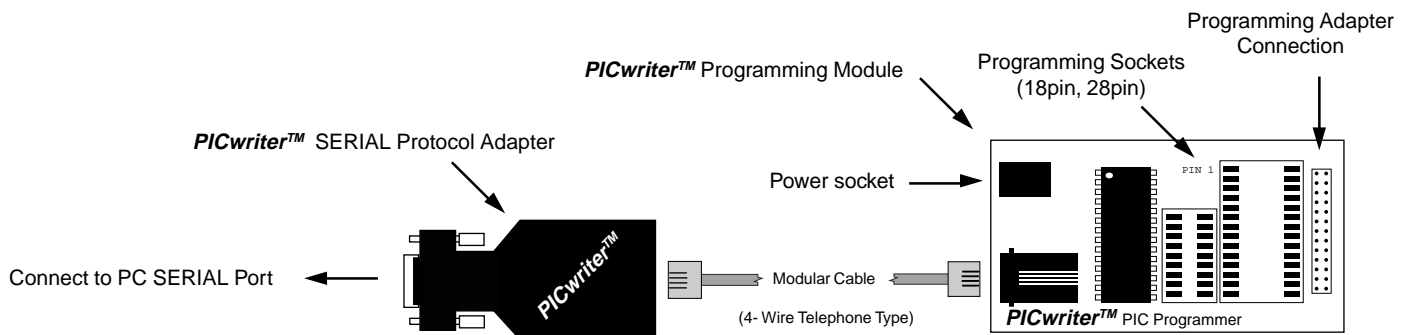
- PICwriter Programming & Editing Software for Windows.
- CVASM16 PIC Assembler.
- CVASM16 Documentation in PDF format.

To install the Above files, insert the CD in your CDROM drive. If you have "auto run" enabled, the CD menu will launch automatically, or run the "Tech_cd.exe" program to launch the CD menu. After the CD menu has started, select the "Software" button from the selection on the right. Now choose the "PICwriter" button. This will install the above mentioned files, create a Program Group called "PICwriter" and insert shortcuts to the programming software, CVASM16 documents and an "Uninstall" utility. The CVASM16 assembler is a DOS executable which requires command-line parameters and can be executed by opening a DOS prompt and typing CVASM16.

For those of you who like to work completely in the Windows environment, you can also select the "TDE" button to install a full version of TDE (TechTools Design Environment). TDE is a fully integrated Debugging Tool Designed to give users a highly productive work flow during PICmicro development. Even if you do not own our ClearView Mathias In-Circuit Emulator, you can still edit and compile your code and take advantage of TDE's source-line error referencing. TDE also installs documentation for current PICmicro devices, TDE and CVASM16 which can be accessed in electronic format from TDE's Help Menu.

Several additional items can be found on the CDROM including Compiler Demos and other useful software.

(Note: A PDF viewer is required to view the electronic Data sheets and Manuals. If you do not have a PDF viewer, Adobe Acrobat Reader software is included on our CDROM .)



(972) 272-9392, FAX: (972) 494-5814, sales@tech-tools.com, http://www.tech-tools.com