

## Discontinuation Notice of Panel Mount Relay Type G4B series

### Product Discontinuation

### Recommended Replacement



Type G4B Series



Type G7L-1A-TUB  
Type LY1F

**Discontinuation date :** Sep 29, 2010  
**Latest possible order date:** Jun 29, 2010

#### Caution on recommended replacement

- Terminals for LY1F and G7L will not match up exactly with G4B Relay Models.
- The size of LY1F is smaller than type G4B.
- The size of G7L-1A-TUB is larger than type G4B.
- The Load Rating is not as Robust for LY1F versus G4B especially G4B-RP. Testing in application is recommended.
- The operating specification is different. Recommend testing either G7L-1A-TUB or LY1F in application.
- Latest possible order date is subject to factory capacity prior to June 29, 2010. Recommend ordering before April 1, 2010.
- MJN1Z-E-RP can serve as substitute for G4B SPDT High Capacity Models.

#### Difference from discontinued product

Model	Body Color	Dimensions	Wire connection	Mounting Dimensions	Characteristics	Operation ratings	Operation methods
G7L-1A-TUB	--	--	*	--	*	--	**
LY1F	--	--	*	--	--	--	**

\*\* : Fully compatible

\* : The change is a little / Almost compatible

-- : Not compatible

- : No corresponding specification

## Product Discontinuation and recommended replacement

Product discontinuation	Recommended replacement
Type G4B-112T(1)-(-US) SPST-NO	Type G7L-1A-TUB SPST-NO
Type G4B-112T(1)-C(-US) SPDT	Type LY1F SPDT

## Body color

Product discontinuation	Recommended replacement
Type G4B Series Black	Type G7L-1A-TUB Ivory Type LY1F Clear

## Resistive Load Rating

Product discontinuation	Recommended replacement
Type G4B-112T(1)-(-C)-US = 15A @ 220VAC = 15A @ 24VDC G4B-112T(1)-(-FD)-(-C)-US-RP = 25A @ 220VAC = 15A @ 24VDC	Type G7L-1A-TUB = 30A @ 220VAC Type LY1F = 15A @ 110VAC, 24VDC

## Inductive Load Rating

Product discontinuation	Recommended replacement
Type G4B All = 10A @ 220VAC $\cos \Phi = 0.4$ = 7A @ 24VDC L/R = 7ms	Type G7L-1A-TUB = 25A @ 220VAC $\cos \Phi = 0.4$ Type LY1F = 10A @ 110VAC $\cos \Phi = 0.4$ = 7A @ 24VDC L/R = 7ms

## UL Horsepower Rating

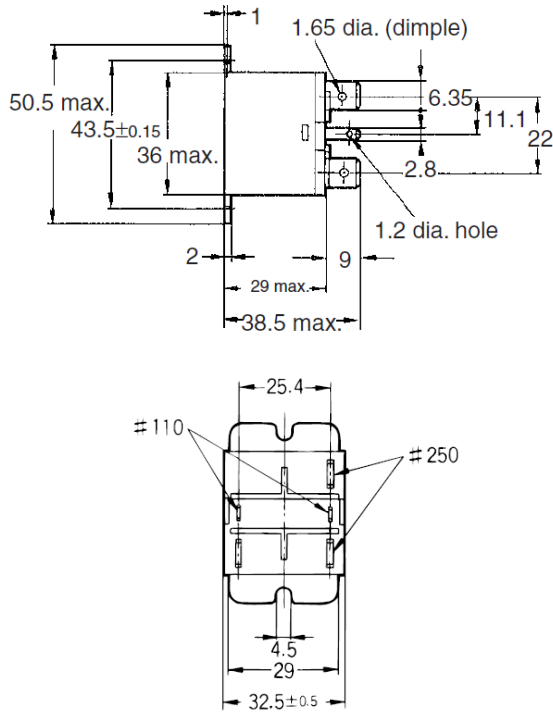
Product discontinuation	Recommended replacement
Type G4B-112T(1)-(-C)-US = 1 HP @ 120VAC G4B-112T(1)-(-FD)-(-C)-US-RP = 1 HP @ 120VAC	Type G7L-1A-TUB = 1.5 HP @ 120VAC Type LY1F = 0.5 HP @ 120VAC

# Dimensions

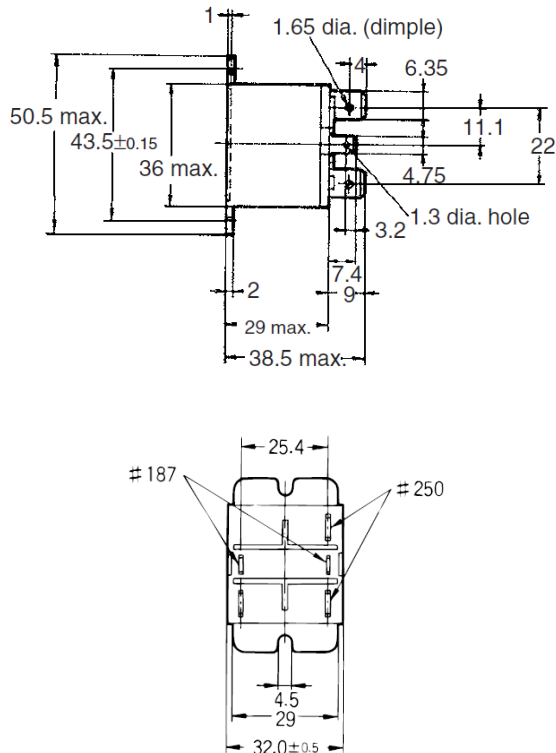
## Product discontinuation

## Recommended replacement

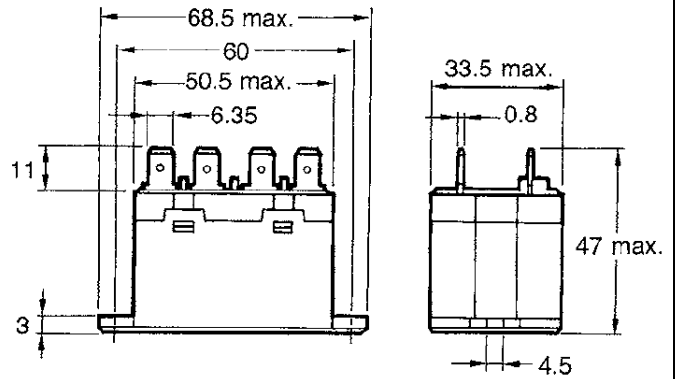
### G4B-112T(-US)



### G4B-112T1(-US)



### G7L-1A-TUB



Size of tab terminal: All #250

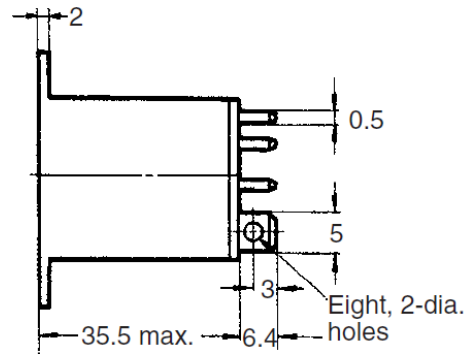
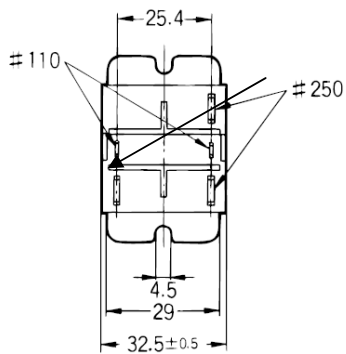
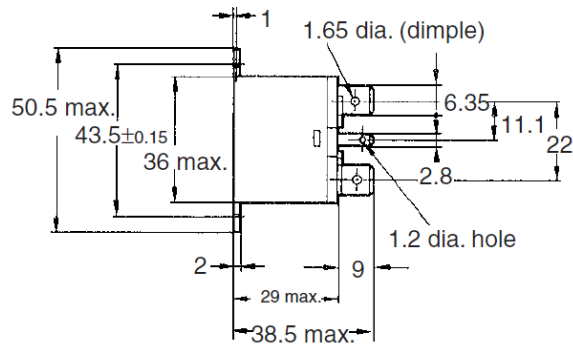
# Dimensions

## Product discontinuation

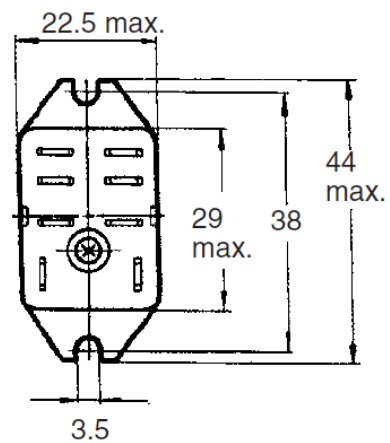
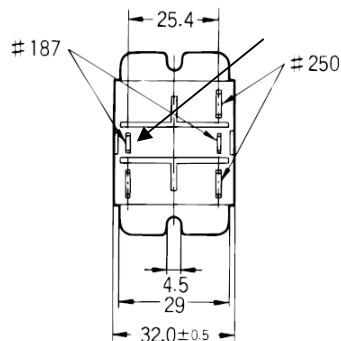
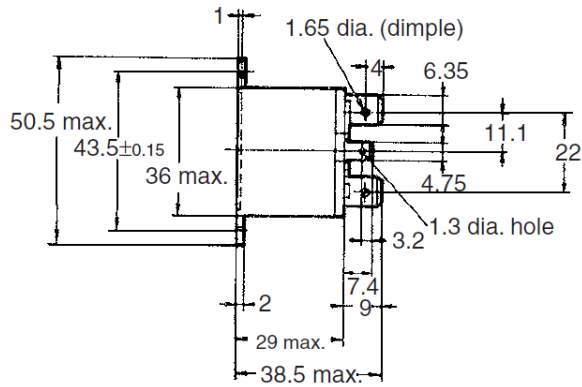
## Recommended replacement

**G4B-112T-C(-US)**

**LY1F**

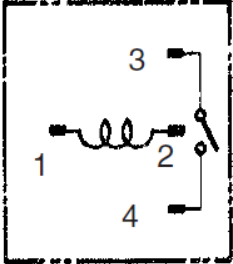
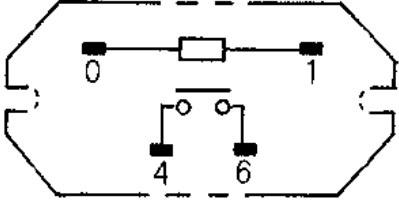
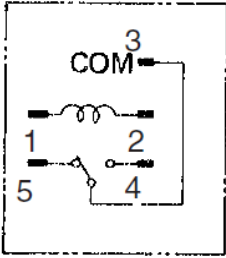
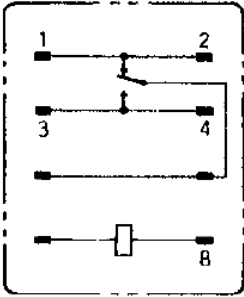


**G4B-112T1-C(-US)**

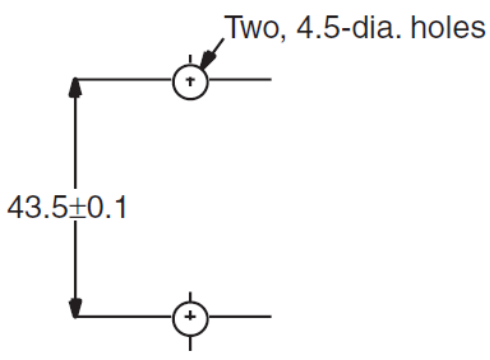
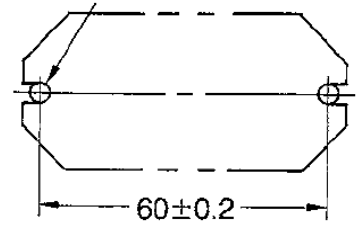
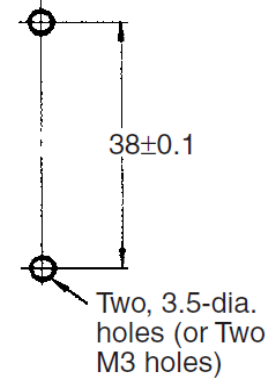


Size of tab terminal: All #187

**Wire Connection**

Product discontinuation	Recommended replacement
<p><b>G4B-112T(1)(-US)</b></p>  <p><b>(Top View)</b></p> <p>No polarity in coil.</p>	<p><b>G7L-1A-TUB</b></p> <p><b>(Top View)</b></p>  <p>No polarity in coil.</p>
<p><b>G4B-112T(1)-C(-US)</b></p>  <p><b>(Top View)</b></p> <p>No polarity in coil.</p>	<p><b>LY1F</b></p>  <p><b>(Bottom view)</b></p> <p>No polarity in coil.</p>

## Mounting dimensions

Product discontinuation	Recommended replacement
<p>G4B-112T(1)(-US) G4B-112T(1)(-C(-US))</p>  <p>Two, 4.5-dia. holes</p> <p>43.5±0.1</p>	<p>G7L-1A-TUB</p> <p>Two, 4.5-dia. hole or M4 tapped holes</p>  <p>60±0.2</p>
	<p>LY1F</p>  <p>38±0.1</p> <p>Two, 3.5-dia. holes (or Two M3 holes)</p>

## Characteristics

Product discontinuation	Recommended replacement
Please refer to Comparison File.	Please refer to Comparison File.

## Operation ratings

Product discontinuation	Recommended replacement
Please refer to Comparison File.	Please refer to Comparison File.

## Operation methods

Product discontinuation	Recommended replacement
Input voltage to relay coil terminals	Input voltage to relay coil terminals