


 Harrisburg, PA 17105-3608		PART NO. 1432793-1		SHIT. 1 OF 2	
DRAWN E. SIMPSON	APPROVAL B. TOEPFER	DATE FIRST DRAWN 05-26-05	SCALE 1:1	CUSTOMER DATA TYCO-STANDARD	
TOLERANCE UNLESS SPECIFIED OTHERWISE		O.X = +/- O.XX = +/- O.XXX = +/- ANGLES = +/-		CHANGES	
		REV. 	DATE 05-26-05	CO PRELIMINARY EDS	APP. B.T.
		REV. 	DATE 08-22-05	RELEASE EDS	B.T.
 DO NOT SCALE THIS DRAWING					

ELECTRICAL CHARACTERISTICS: (ALL DATA APPLIES @ 23°C UNLESS OTHERWISE SPECIFIED)

COIL DATA:

NOMINAL VOLTAGE: 12 VDC  
 OPERATE VOLTAGE: 7.8 VDC MAXIMUM  
 RELEASE VOLTAGE: 1.2 VDC MINIMUM  
 COIL RESISTANCE: 90 OHMS +/- 10%  
 OPERATE TIME: 10 mSEC. MAXIMUM EXCLUDING BOUNCE  
 RELEASE TIME: 13 mSEC. MAXIMUM EXCLUDING BOUNCE  
 TEMPERATURE RANGE: OPERATING -40°C TO +85°C

CONTACT DATA: (CONTACT DATA IS FORMATTED N.O./N.C.)

CONTACT ARRANGEMENT: 1 FORM C (SPDT)  
 CONTACT MATERIAL: AgSnO (SILVER TIN-OXIDE)  
 CONTACT MILLIVOLT DROP: 200mv @ 35A ON N.O. CONTACTS (AFTER SWITCHING)  
 250mv @ 20A ON N.C. CONTACTS (AFTER SWITCHING)  
 MAXIMUM MAKE CURRENT: 90A/30A (LAMP) @ 16 VDC  
 MAXIMUM BREAK CURRENT: 40A/30A @ 16 VDC RESISTIVE  
 MAXIMUM CONTINUOUS CURRENT: 40A/30A @ 23°C, 35A/20A @ 85°C  
 INITIAL BREAKDOWN CURRENT: 500V RMS CONTACTS TO COIL

EXPECTED LIFE:

100,000 OPERATIONS, 40 A, 14 VDC RESISTIVE ON NORMALLY OPEN CONTACT

MECHANICAL CHARACTERISTICS:

EXPECTED LIFE: 10 MILLION OPERATIONS, NO CONTACT LOAD  
 TERMINALS: BRASS, UNPLATED

DRAWN APPROVAL DATE FIRST\_DRAWN SCALE  
 E.SIMPSON B. TOEPFER 05-26-05 1:1

TOLERANCE 0.X = +/-  
 UNLESS 0.XX = +/-  
 SPECIFIED 0.XXX = +/-  
 OTHERWISE ANGLES = +/-

PART NO. 1432793-1

CUSTOMER DATA

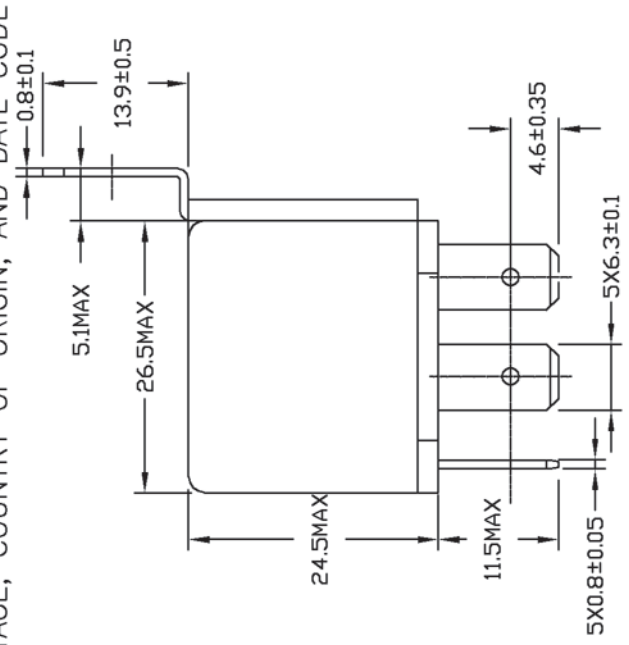
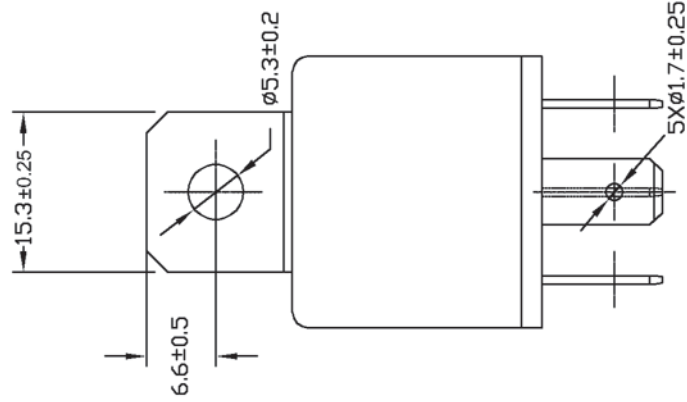
CUSTOMER TYCO-STADARD

REV A

MILLIMETERS

DO NOT SCALE THIS DRAWING

MARKING TO INCLUDE:  
 TYCO NAME, TYCO PART NUMBER, SCHEMATIC,  
 COIL VOLTAGE, COUNTRY OF ORIGIN, AND DATE CODE



\* TERMINAL LOCATIONS  
 APPLY AT THE BASE  
 OF THE TERMINALS

