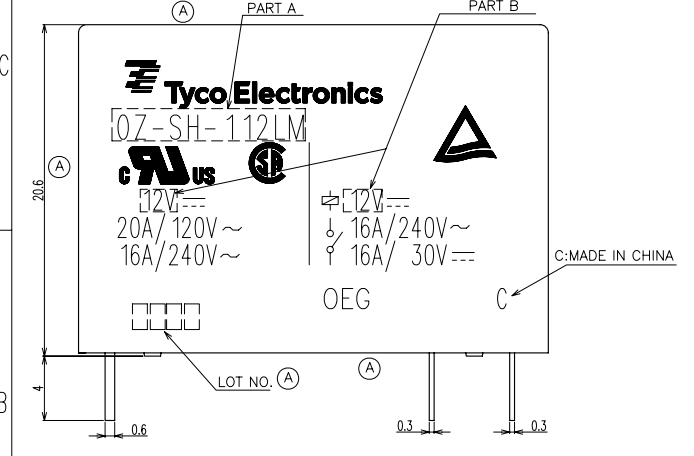
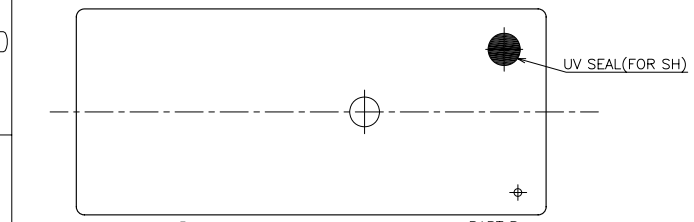


THIS DRAWING IS UNPUBLISHED. RELEASED FOR PUBLICATION
 © COPYRIGHT BY TYCO ELECTRONICS CORPORATION. ALL RIGHTS RESERVED.

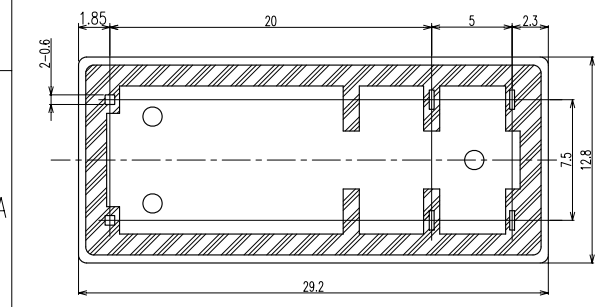
LOC		DIST		REVISIONS					
P	LTR	DESCRIPTION	ECN	DATE	DWN	APVD			
	O	RELEASE	FK00-0229-04	31-JAN-05	S.M.C	N.F			
	A	CHANGE DATE CODE AND NEW LOGO	ECO-08-007865	2-AUG-08	M.H.L	B.H.Y			



NOTES:
 1. TERMINAL DIMENSION IS NOT INCLUDING SOLDER TIP.
 2. LOT NO. SYSTEM AS FOLLOWING:
 0825 WEEK YEAR

3. GENERAL TOLERANCE AS FOLLOWING:

TOLERANCE	
0~0.99mm	±0.1
1mm~2.99mm	±0.2
3mm MIN.	±0.3



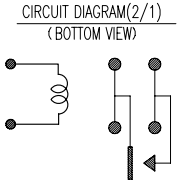
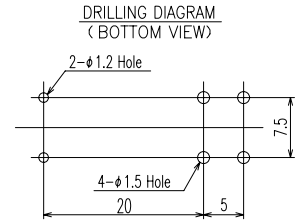
THIS DRAWING IS A CONTROLLED DOCUMENT FOR TYCO ELECTRONICS CORPORATION IT IS SUBJECT TO CHANGE AND THE CONTROLLING ENGINEERING ORGANIZATION SHOULD BE CONTACTED FOR THE LATEST REVISION.		DWN SHIMING.CHEN	Tyco Electronics Corporation ShenZhen, China		
DIMENSIONS: mm		CHK WAYNE.PENG			
TOLERANCES UNLESS OTHERWISE SPECIFIED: 0 PLC 1 PLC 2 PLC 3 PLC 4 PLC ANGLES		APVD FUNAYAMA.NAOYA	NAME OZ-1M CUSTOMER DRAWING		
MATERIAL -		FINISH -	PRODUCT SPEC -	APPLICATION SPEC -	RESTRICTED TO -
		WEIGHT -	SIZE A3	CAGE CODE 00779	DRAWING NO 1440002-5
		CUSTOMER DRAWING			SCALE 4:1 SHEET 1 OF 2 REV A

THIS DRAWING IS UNPUBLISHED. RELEASED FOR PUBLICATION
 © COPYRIGHT BY TYCO ELECTRONICS CORPORATION. ALL RIGHTS RESERVED.

LOC	DIST	REVISIONS						
		P	LTR	DESCRIPTION	ECN	DATE	DWN	APVD

1-1461250-9	OZ-SH-148LM1, 294	48V	OZ-SH-148LM1	x
1-1461250-7	OZ-SH-148DM1, 294	48V	OZ-SH-148DM1	w
1-1461250-5	OZ-SH-124LM1, 294	24V	OZ-SH-124LM1	v
1-1461250-3	OZ-SH-109LM1, 294	9V	OZ-SH-109LM1	u
1-1461250-1	OZ-SH-109DM1, 294	9V	OZ-SH-109DM1	t
0-1461250-9	OZ-SH-106LM1, 294	6V	OZ-SH-106LM1	s
0-1461250-7	OZ-SH-106DM1, 294	6V	OZ-SH-106DM1	r
0-1461250-4	OZ-SH-105DM1, 294	5V	OZ-SH-105DM1	q
0-1-1440002-0	OZ-SH-124DM1, 294	24V	OZ-SH-124DM1	p
0-1440002-8	OZ-SH-112LM1, 294	12V	OZ-SH-112LM1	o
0-1440002-5	OZ-SH-105LM1, 294	5V	OZ-SH-105LM1	n
7-1440009-5	OZ-SS-103LM1, 200	3V	OZ-SS-103LM1	m
0-1461355-1	OZ-SS-118DM1, 200	18V	OZ-SS-118DM1	l
0-1461251-5	OZ-SS-105DM1, 200	5V	OZ-SS-105DM1	k
0-1461251-4	OZ-SS-109DM1, 200	9V	OZ-SS-109DM1	j
0-1461251-3	OZ-SS-105LM1, 200	5V	OZ-SS-105LM1	i
3-1440002-0	OZ-SS-148DM1, 200	48V	OZ-SS-148DM1	h
2-1440002-9	OZ-SS-124LM1, 200	24V	OZ-SS-124LM1	g
2-1440002-6	OZ-SS-124DM1, 200	24V	OZ-SS-124DM1	f
2-1440002-4	OZ-SS-112LM1, 200	12V	OZ-SS-112LM1	e
2-1440002-2	OZ-SS-112DM1, 200	12V	OZ-SS-112DM1	d
2-1440002-0	OZ-SS-109LM1, 200	9V	OZ-SS-109LM1	c
1-1440002-7	OZ-SS-106LM1, 200	6V	OZ-SS-106LM1	b
1-1440002-5	OZ-SS-106DM1, 200	6V	OZ-SS-106DM1	a

RELAY TYPE



		UV RESIN	UV SEAL	16	
		EPOXY RESIN	SEAL	15	
		Cu ALLOY	HINGE SPRING	14	
		PBT	CASE	13	
		MW79	MAGNETIC WIRE	12	
UL94V-0		PET	BASE	11	
UL94HB		PBT	BOBBIN	10	
	SOLDER DIP	Cu ALLOY	COIL TERMINAL	9	
UL94V-0		PPS	CARD	8	
		Ag ALLOY	MOVABLE CONTACT	7	
		Ag ALLOY	STATIONARY CONTACT	6	
	SOLDER DIP	Cu ALLOY	MOVABLE SPRING	5	
	SOLDER DIP	Cu ALLOY	NO-TERMINAL	4	
		Ni PLATED	STEEL	CORE	3
		Ni PLATED	STEEL	ARMATURE	2
		Ni PLATED	STEEL	YOKE	1

THIS DRAWING IS A CONTROLLED DOCUMENT FOR TYCO ELECTRONICS CORPORATION. IT IS SUBJECT TO CHANGE AND THE CONTROLLING ENGINEERING ORGANIZATION SHOULD BE CONTACTED FOR THE LATEST REVISION.

DIMENSIONS: mm	TOLERANCES (UNLESS OTHERWISE SPECIFIED): 0 P/C ± 1 P/C ± 2 P/C ± 3 P/C ± 4 P/C ± ANGLES ±	DWN	CHK	APVD	PRODUCT SPEC	APPLICATION SPEC	WEIGHT	CUSTOMER DRAWING
MATERIAL	FINISH	Tyco Electronics Corporation ShenZhen, China OZ-1M CUSTOMER DRAWING SIZE: A3 CAGE CODE: 00779 DRAWING NO: 1440002-5 RESTRICTED TO: — SCALE: 4:1 SHEET 2 OF 2 REV A						