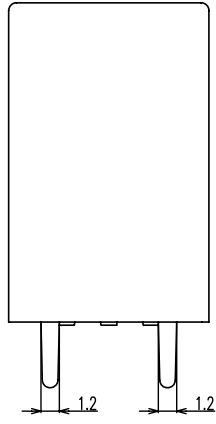
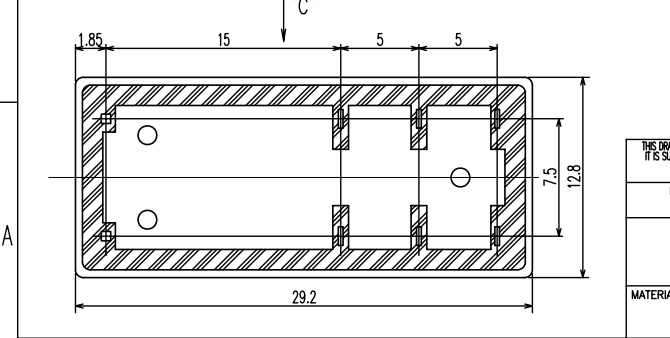
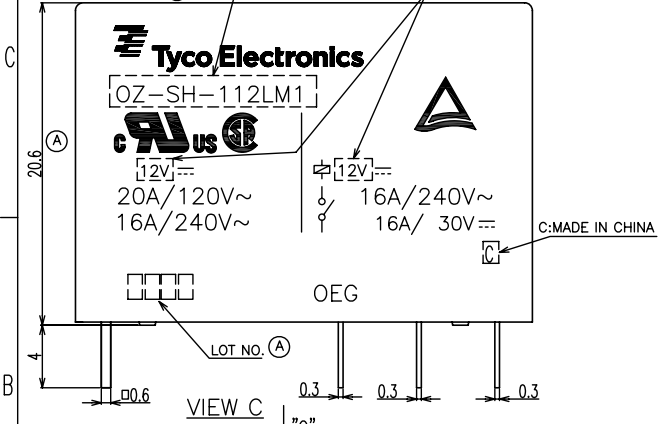
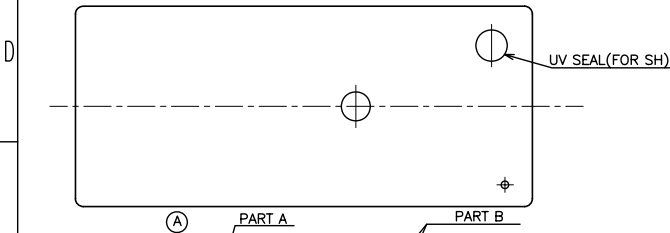


THIS DRAWING IS UNPUBLISHED. RELEASED FOR PUBLICATION
 © COPYRIGHT BY TYCO ELECTRONICS CORPORATION. ALL RIGHTS RESERVED.

LOC 2 DIST 1
 HB

REVISIONS						
P	LTR	DESCRIPTION	ECN	DATE	DWN	APVD
	O	RELEASE	FK00-0229-04	31-JAN-05	S.M.C	N.F
	A	CHANGE DATE CODE AND NEW LOGO	ECO-08-007865	2-AUG-08	M.H.L	B.H.Y
	A1	ADD TYPE	ECR-09-008962	16-MAR-09	D.L	B.H.Y



① NOTES:
 1. TERMINAL DIMENSION IS NOT INCLUDING SOLDER TIP.
 2. LOT NUMBER SYSTEM AS FOLLOWS:



3. GENERAL TOLERANCE AS FOLLOWS:

TOLERANCE	
0~0.99mm	±0.1
1mm~2.99mm	±0.2
3mm MIN.	±0.3

THIS DRAWING IS A CONTROLLED DOCUMENT FOR TYCO ELECTRONICS CORPORATION. IT IS SUBJECT TO CHANGE AND THE CONTROLLING ENGINEERING ORGANIZATION SHOULD BE CONTACTED FOR THE LATEST REVISION.		DWN	SHIMING.CHEN		Tyco Electronics Corporation Shenzhen, China
DIMENSIONS: mm		CHK	WAYNE.PENG		
TOLERANCES UNLESS OTHERWISE SPECIFIED: 0 PLC ± 1 PLC ± 2 PLC ± 3 PLC ± 4 PLC ± ANGLES ±		APVD	FUNAYAMA,NAOYA		NAME
MATERIAL		PRODUCT SPEC	-		OZ-T CUSTOMER DRAWING
FINISH		APPLICATION SPEC	-		
-		WEIGHT	-		SIZE
-		CUSTOMER DRAWING	CAGE CODE	DRAWING NO	RESTRICTED TO
-			A3	00779	1440002-4
-			SCALE	4:1	SHEET 1 OF 2
-					REV A1

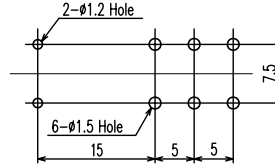
THIS DRAWING IS UNPUBLISHED. RELEASED FOR PUBLICATION
 © COPYRIGHT BY TYCO ELECTRONICS CORPORATION. ALL RIGHTS RESERVED.

REVISIONS						
P	LTR	DESCRIPTION	ECN	DATE	DWN	APVD

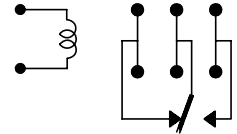
(A1)	1-1440002-1	OZ-SH-124L	24V	OZ-SH-124L
(A1)	1440002-9	OZ-SH-124D	24V	OZ-SH-124D
(A1)	1461252-1	OZ-SH-148L	48V	OZ-SH-148L
(A1)	1440002-6	OZ-SH-112D	12V	OZ-SH-112D
(A1)	1440002-4	OZ-SH-105D	5V	OZ-SH-105D
	1461354-1	OZ-SS-118D	18V	OZ-SS-118D
	3-1440002-1	OZ-SS-148L	48V	OZ-SS-148L
	2-1440002-8	OZ-SS-124L	24V	OZ-SS-124L
	2-1440002-5	OZ-SS-124D	24V	OZ-SS-124D
	2-1440002-3	OZ-SS-112L	12V	OZ-SS-112L
	2-1440002-1	OZ-SS-112D	12V	OZ-SS-112D
	1-1440002-9	OZ-SS-109L	9V	OZ-SS-109L
	1-1440002-8	OZ-SS-109D	9V	OZ-SS-109D
	1-1440002-6	OZ-SS-106L	6V	OZ-SS-106L
	1-1440002-4	OZ-SS-106D	6V	OZ-SS-106D
	1-1440002-3	OZ-SS-105L	5V	OZ-SS-105L
	1-1440002-2	OZ-SS-105D	5V	OZ-SS-105D
	1461717-1	OZ-SH-112L	12V	OZ-SH-112L
	1-1461250-8	OZ-SH-148L	48V	OZ-SH-148L
	1-1461250-6	OZ-SH-148D	48V	OZ-SH-148D
	1-1461250-2	OZ-SH-109L	9V	OZ-SH-109L
	1-1461250-0	OZ-SH-109D	9V	OZ-SH-109D
	0-1461250-8	OZ-SH-106L	6V	OZ-SH-106L
	0-1461250-6	OZ-SH-106D	6V	OZ-SH-106D
	0-1461250-5	OZ-SH-105L	5V	OZ-SH-105L
	0-1461250-3	OZ-SH-105D	5V	OZ-SH-105D
	0-1461250-2	OZ-SH-124L	24V	OZ-SH-124L
	0-1461250-1	OZ-SH-112D	12V	OZ-SH-112D
	0-1440002-7	OZ-SH-112L	12V	OZ-SH-112L
	PART NO	EC TYPE NAME	PART B	PART A

RELAY TYPE

CIRCUIT DIAGRAM(2/1)
(BOTTOM VIEW)



DRILLING DIAGRAM
(BOTTOM VIEW)



THIS DRAWING IS A CONTROLLED DOCUMENT FOR TYCO ELECTRONICS CORPORATION. IT IS SUBJECT TO CHANGE AND THE CONTROLLING ENGINEERING ORGANIZATION SHOULD BE CONTACTED FOR THE LATEST REVISION.		DWN	SHIMING.CHEN		Tyco Electronics Corporation ShenZhen, China	
		CHK	WAYNE.PENG			
DIMENSIONS: mm		APVD	FUNAYAMA.NAOYA		NAME OZ-T CUSTOMER DRAWING	
TOLERANCES UNLESS OTHERWISE SPECIFIED: 0 PLC ± 1 PLC ± 2 PLC ± 3 PLC ± 4 PLC ± ANGLES ±		APPLICATION SPEC	-		SIZE	A3
MATERIAL	FINISH	WEIGHT	-		CAGE CODE	00779
		CUSTOMER DRAWING			DRAWING NO	1440002-4
				SCALE	4:1	SHEET 2 OF 2
						REV A1