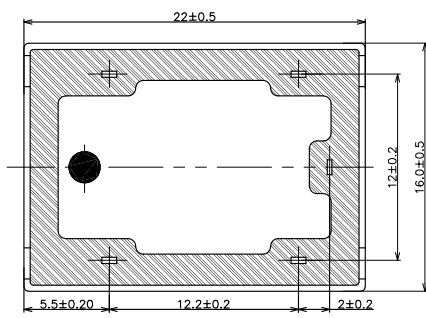
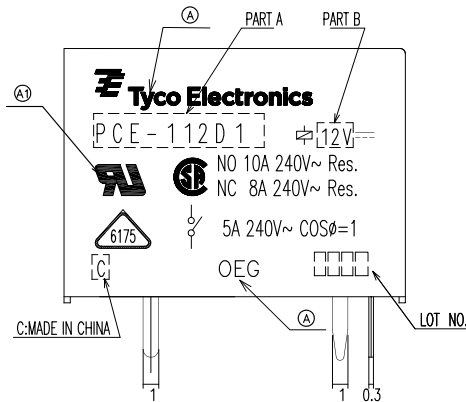
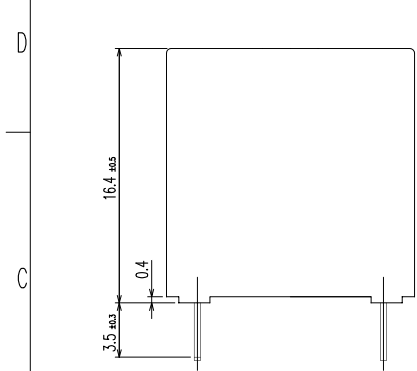


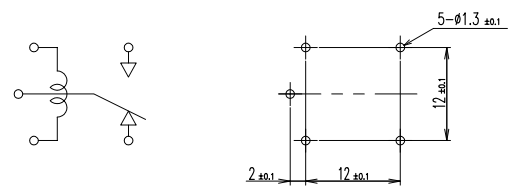
THIS DRAWING IS UNPUBLISHED. RELEASED FOR PUBLICATION
 © COPYRIGHT BY TYCO ELECTRONICS CORPORATION. ALL RIGHTS RESERVED.

LOC		DIST		REVISIONS				
P	LTR	DESCRIPTION	ECN	DATE	DWN	APVD		
A		CHANGE TE LOGO	ECO-08-020463	15-MAR-09	Z.Z	BHLY		
A1		MODIFY MISTAKE	ECO-09-018953	15-SEP-09	Z.Z	BHLY		

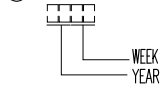


CIRCUIT DIAGRAM (BOTTOM VIEW)

DRILLING DIAGRAM (BOTTOM VIEW)



NOTES:
 1. TERMINAL DIMENSION IS BEFORE SOLDER DIP.
 2. LOT NO SYSTEM AS FOLLOWING:



GENERAL TOLERANCE

Diagram dimension	Tolerance
0.99mm max.	±0.1mm
1 - 2.99mm	±0.2mm
3mm min.	±0.3mm

THIS DRAWING IS A CONTROLLED DOCUMENT FOR TYCO ELECTRONICS CORPORATION
 IT IS SUBJECT TO CHANGE AND THE CONTROLLING ENGINEERING ORGANIZATION
 SHOULD BE CONTACTED FOR THE LATEST REVISION.

DIMENSIONS:	TOLERANCES UNLESS OTHERWISE SPECIFIED:
mm	0 PLC 1 PLC 2 PLC 3 PLC 4 PLC ANGLES
MATERIAL	FINISH

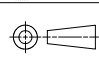
DWN	H.SASAKI	Tyco Electronics Corporation ShenZhen, China
CHK	N.FUNAYAMA	
APVD	A.NAGAI	NAME
PRODUCT SPEC	-	PCE-1**D1,000 CUSTOMER DRAWING
APPLICATION SPEC	-	SIZE
WEIGHT	-	CAGE CODE
CUSTOMER DRAWING	-	DRAWING NO
		8-1419124-0
		RESTRICTED TO
		-
		SCALE
		4:1
		SHEET
		1 OF 2
		REV
		A1

4 | 3 |
 THIS DRAWING IS UNPUBLISHED. | RELEASED FOR PUBLICATION
 © COPYRIGHT | BY TYCO ELECTRONICS CORPORATION. ALL RIGHTS RESERVED.

2		1					
LOC	DIST	REVISIONS					
P	LTR	DESCRIPTION	ECN	DATE	DWN	APVD	

3-1419125-0	PCE-148D1H,000	48V	PCE-148D1H	k
1-1419146-8	PCE-148D1,000	48V	PCE-148D1	j
1-1419125-4	PCE-124D1H,000	24V	PCE-124D1H	i
1-1419125-2	PCE-124D1,000	24V	PCE-124D1	h
1-1419146-5	PCE-118D1H,000	18V	PCE-118D1H	g
9-1419124-6	PCE-112D1H,000	12V	PCE-112D1H	f
9-1419124-4	PCE-112D1,000	12V	PCE-112D1	e
9-1419124-0	PCE-109D1H,000	9V	PCE-109D1H	d
8-1419124-4	PCE-106D1H,000	6V	PCE-106D1H	c
8-1419124-1	PCE-105D1H,000	5V	PCE-105D1H	b
8-1419124-0	PCE-105D1,000	5V	PCE-105D1	a
PART NO	TE TYPE NAME	PART B	PART A	ITEM

RELAY TYPE

THIS DRAWING IS A CONTROLLED DOCUMENT FOR TYCO ELECTRONICS CORPORATION IT IS SUBJECT TO CHANGE AND THE CONTROLLING ENGINEERING ORGANIZATION SHOULD BE CONTACTED FOR THE LATEST REVISION.		DWN	Tyco Electronics Tyco Electronics Corporation ShenZhen, China	
DIMENSIONS: mm		CHK	NAME	
		APVD	PCE-1**D1,000 CUSTOMER DRAWING	
TOLERANCES UNLESS OTHERWISE SPECIFIED: 0 PLC ± 1 PLC ± 2 PLC ± 3 PLC ± 4 PLC ± ANGLES ±		PRODUCT SPEC	SIZE	RESTRICTED TO
MATERIAL	FINISH	APPLICATION SPEC	A3	-
WEIGHT		CAGE CODE	00779	DRAWING NO
CUSTOMER DRAWING		DRAWING NO	8-1419124-0	8-1419124-0
SCALE		SHEET	4:1	2 OF 2
REV		REV	A1	A1