

KBP series

10 Amp Dual Coil Latching Relay

⚡ File E29244

Users should thoroughly review the technical data before selecting a product part number. It is recommended that users also seek out the pertinent approvals files of the agencies/laboratories and review them to ensure the product meets the requirements for a given application.

Features

- Dual coil latching relay accepts a momentary impulse to one coil to latch and a second impulse to the other coil to release.
- Enclosed in a clear polycarbonate dust cover.
- AC or DC coils.
- Contacts up to 5PDT.
- Mounts in 11 or 20-pin octal-type plugs.

Contact Data @ +25°C

Arrangements: From 2 Form C (DPDT) to 5 Form C (5PDT), (3PDT each coil).

Ratings: 10 amps @ 120VAC.

Materials: 10 amp models: Silver-cadmium oxide.

Expected Life: 500,000 operations, mechanical; 50,000 operations minimum at rated loads.

Coil Data

	Nominal Voltage	Resistance in Ohms ±10% @ 25°C	Nominal Current Milliamperes
DC Coils (to 5 pole)	12	52.0	230
	24	230	104
	48	850	56.5
	110	4560	24
	220	Use 110 volt relay with 5000 Ohms, 5 watt resistor in series.	
	Nominal Voltage	Resistance in Ohms ±15% @ 25°C	Nominal Current Milliamperes
AC Coils	Up to 4 Pole Relays		
	24	42	210
	120	1030	44
	240	4100	22
	For 5 Pole Relays		
	24	27	325
	120	700	68

Operate Data @ +25°C

Must-Operate Voltage:

DC: 75% of nominal voltage.

AC: 85% of nominal voltage.

Operate Time: 25 milliseconds excluding bounce.

Initial Dielectric Strength

Between Open Contacts: 500V rms.

Between Adjacent Contacts: 1,000V rms.

Between Contacts and Coil: 1,000V rms.

Environmental Data

Temperature Range:

Storage: 105°C.

Operating: -45°C to +85°C.

Coil Data @ +25°C

Nominal Power:

DC Coils: 2.7W.

AC Coils: 5.3VA to 4 pole; 7.8VA to 5 pole.

Maximum Power: DC coils - 4.0W.

Duty Cycle: Intermittent.

Initial Insulation Resistance: 100 megohms.

Mechanical Data

Termination: See terminals table on next page.

Enclosures: Plastic dust cover standard. Hermetically sealed metal case available on special order.

Weight: 10.8 oz. (306g) approximately.

Ordering Information

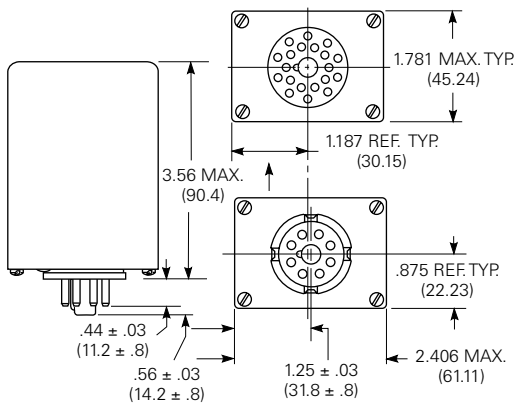
		Typical Part Number ▶		KBP	-11	A	G	-24
1. Type: KBP = Enclosed, dual coil latching relay. KB = Open, dual coil latching relay.								
2. Contact Arrangement: 11 = 2 Form C (DPDT) 17 = 4 Form C (4PDT) 20 = 5 Form C (5PDT)								
3. Coil Input: A = AC D = DC								
4. Contact Rating: G = 10 amps @ 120VAC, 80% PF.								
5. Coil Voltage: 12, 24, 48, 110VDC 24, 120, 240VAC		Specify the same latch and release coil voltage for standard KBP relays. Unlike coils available on special order.						

Our authorized distributors are more likely to maintain the following items in stock for immediate delivery.

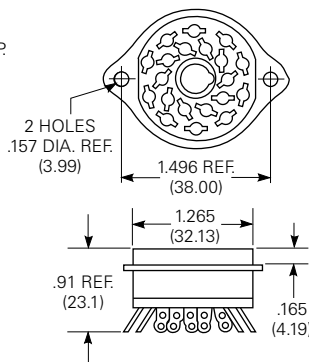
KB-17AG-120	KBP-11AG-120	KBP-11DG-110
KB-17DG-12	KBP-11DG-24	KBP-20AG-120

Outline Dimensions

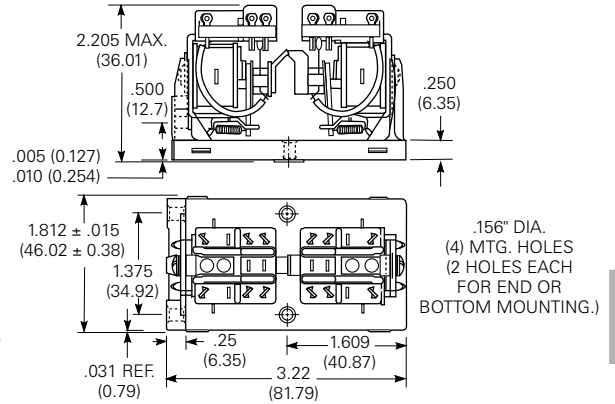
Dust Cover



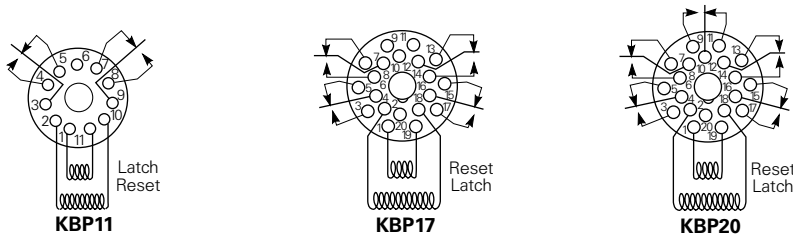
27E928 Socket



KB-Open Style



Wiring Diagrams (Bottom Views)



Note: Shown with reset coil energized last.