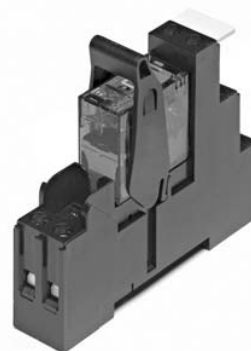


**Relay Package XT**

- Relay package consisting of XT relay, DIN-rail socket, plastic retaining clip and marking tag
- 1 CO with 16 A or 2 CO with 8 A rated load
- Sensitive DC- or AC coil
- Reinforced insulation (protection class II / VDE 0700), safe separation to VDE 0160
- Jumper bars for interconnection
- Further accessories see Accessories XT
- Manual test lab, optionally lockable
- Mechanical and electrical indicators



F0288-DP

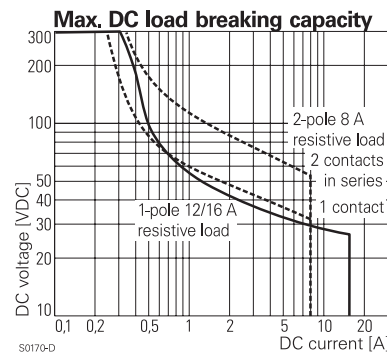
**Approvals**

Relay: REG.-Nr. 6106, us E214025

Socket: REG.-Nr. 6106, us E135149  
 Technical data of approved types on request

Contact data	1-pole	2-pole
Contact configuration	1 CO	2 CO
Contact set	single contact	
Type of interruption	micro disconnection	
Rated voltage / max. switching voltage AC	240 / 400 VAC	
Rated current	16 A*)	8 A
Limiting continuous current	16 A*)	8 A, UL: 10 A
Maximum breaking capacity AC	4000 VA	2000 VA
Limiting making capacity, max 4 s, df 10%	30 A	15 A
Contact material	AgNi 90/10	
Rated frequency of operation with / without load	6 / 600 min <sup>-1</sup>	

\*) For full load current (16 A) the relay terminals 11-21, 12-22 and 14-24 have to be bridged.



S0170-D

**Contact ratings**

For contact ratings see datasheet Interface Plug-in Relay XT

**Coil data**

Rated coil voltage range DC coil	24 VDC
AC coil	24, 115, 230 VAC
Operative range to IEC 61810	2

**Coil versions, DC-coil**

Coil code	Rated voltage VDC	Operate voltage VDC	Release voltage VDC	Coil resistance Ohm	Rated coil power mW
LC4	24	16.8	2.4	1440 ± 10%	419

**Coil versions, AC-coil 50Hz**

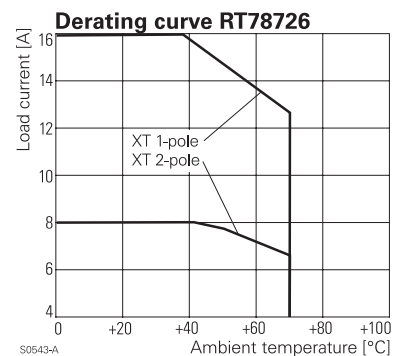
Coil code	Rated voltage VAC	Operate voltage VAC	Release voltage VAC	Coil resistance Ohm	Rated coil power VA
R24	24	18.0	3.6	350 ± 10%	0.77
S15	115	86.3	17.3	8100 ± 15%	0.81
T30	230	172.5	34.5	32500 ± 15%	0.81

All figures are given for coil without preenergization, at ambient temperature +23°C  
 Other coil voltages on request

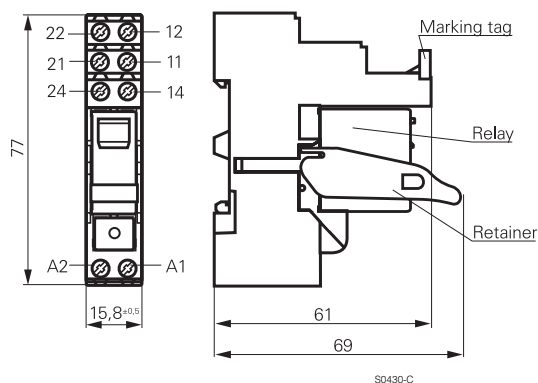
**Relay Package XT (Continued)**

Insulation	1 pole	2 pole
Dielectric strength coil-contact circuit		5000 V <sub>rms</sub>
open contact circuit		1000 V <sub>rms</sub>
adjacent contact circuits		2500 V <sub>rms</sub>
Clearance / creepage coil-contact circuit		≥ 8 / 8 mm
Material group of insulation parts		IIIa
Tracking index of relay base		PTI 175 V
Insulation to IEC 60664-1		
Type of insulation coil-contact circuit		reinforced
open contact circuit		micro disconnection
adjacent contact circuits		basic
Rated insulation voltage		250 V
Pollution degree	3	2
Rated voltage system	240 V	230 / 400 V
Overvoltage category		III

Other data	
Mechanical endurance DC coil	> 10 x 10 <sup>6</sup>
AC coil	> 5 x 10 <sup>6</sup>
Material	
RoHS - Directive 2002/95/EC	compliant
Environment	
Ambient temperature range DC coil	-40...+70°C
AC coil	-40...+70°C
Processing	
Terminals	screw
Terminal screw torque acc. IEC 61984	0.5 Nm
max.	0.7 Nm
Wire cross section	
single wire	2 x 2.5 mm <sup>2</sup>
fine wire	2 x 2.5 mm <sup>2</sup>
with bootlace crimp (DIN 46228/1)	2 x 1.5 mm <sup>2</sup>
Insertion cycles	A (10)
Max. Insertion Force total	100 N
Mounting distance	≥ 0, dense packing of sockets
Weight	56 g
Packaging unit	10 pcs



**Dimensions**



**Relay Package XT** (Continued)

<b>Product key</b>	Typical product key			<b>XT</b>	<b>4S</b>	<b>4</b>	<b>T30</b>
<b>Type</b>	XT Relay Package XT						
<b>Version</b>	<b>3S</b> Relay set: XT 1-pole CO (1 form C), 16 A, red LED <b>4S</b> Relay set: XT 2-pole CO (2 form C), 8 A, red LED						
<b>Contact material</b>	4 AgNi 90/10, CO contact						
<b>Coil</b>	<b>LC4</b> 24 VDC		<b>R24</b> 24 VAC				
	<b>S15</b> 115 VAC		<b>T30</b> 230 VAC				

Other types on request

Product key	Socket	Retainer	Marking tag	Relay	Coil	Part number
XT3S4LC4	RT78726	XT17017	RT17040	XT374LC4	24 VDC	4-1415540-1
XT3S4R24				XT374R24	24 VAC	4-1415540-2
XT3S4S15				XT374S15	115 VAC	4-1415540-3
XT3S4T30				XT374T30	230 VAC	4-1415540-4
XT4S4LC4				XT484LC4	24 VDC	4-1415540-5
XT4S4R24				XT484R24	24 VAC	4-1415540-6
XT4S4S15				XT484S15	115 VAC	4-1415540-7
XT4S4T30				XT484T30	230 VAC	4-1415540-8