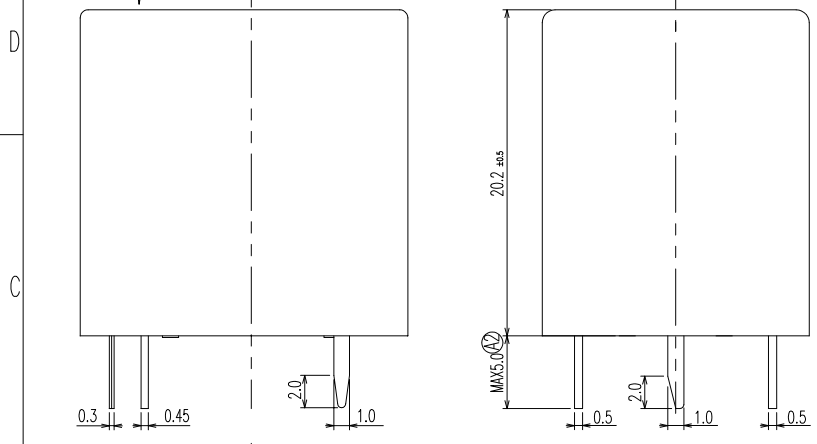


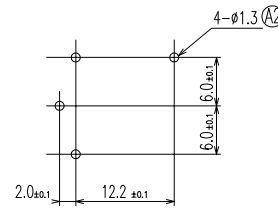


THIS DRAWING IS UNPUBLISHED. RELEASED FOR PUBLICATION  
 © COPYRIGHT BY TYCO ELECTRONICS CORPORATION. ALL RIGHTS RESERVED.

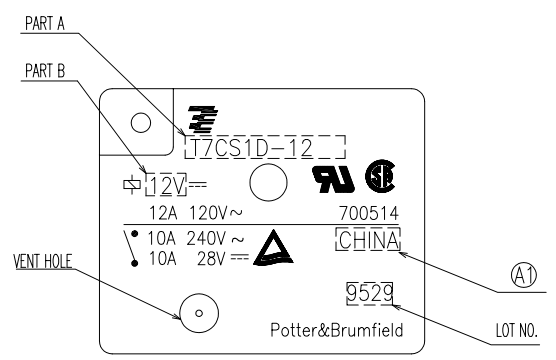
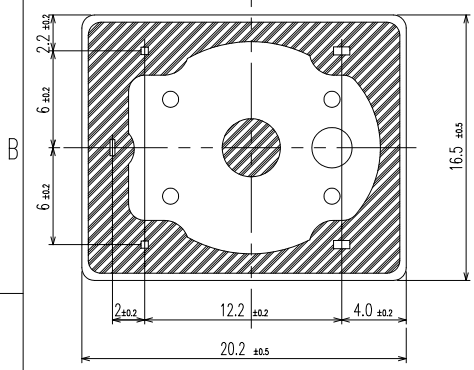
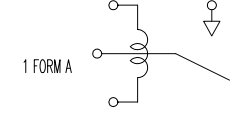
| LOC | HB | DIST | REVISIONS |     |             |     |      |     |      |  |
|-----|----|------|-----------|-----|-------------|-----|------|-----|------|--|
|     |    |      | P         | LTR | DESCRIPTION | ECN | DATE | DWN | APVD |  |
|     |    |      |           |     |             |     |      |     |      |  |



4. DRILLING DIAGRAM (BOTTOM VIEW)



CONNECTION DIAGRAM (BOTTOM VIEW)



|   |  |                  |            |   |
|---|--|------------------|------------|---|
| THIS DRAWING IS A CONTROLLED DOCUMENT FOR TYCO ELECTRONICS CORPORATION. IT IS SUBJECT TO CHANGE AND THE CONTROLLING ENGINEERING ORGANIZATION SHOULD BE CONTACTED FOR THE LATEST REVISION. |  | DWN              | H.SASAKI   | Tyco Electronics Corporation<br>ShenZhen, China |
|   |  | CHK              | N.FUNAYAMA |   |
|   |  | APVD             | A.NAGAI    | NAME  |
| DIMENSIONS: mm  |  | PRODUCT SPEC     | -          | T7C*5(1)D-**-009 CUSTOMER DRAWING               |
| TOLERANCES UNLESS OTHERWISE SPECIFIED:<br>0 PLC ±<br>1 PLC ±<br>2 PLC ±<br>3 PLC ±<br>4 PLC ±<br>ANGLES ±   |  | APPLICATION SPEC | -          | SIZE A3   |
| MATERIAL  |  | WEIGHT           | -          | CAGE CODE 00779                                 |
| FINISH  |  | CUSTOMER DRAWING | -          | DRAWING NO 1393190                              |
|   |  | SCALE            | 4:1        | RESTRICTED TO -                                 |
|   |  | SHEET            | 2 OF 3     | REV A3  |

4

3

2

1

THIS DRAWING IS UNPUBLISHED. RELEASED FOR PUBLICATION  
 © COPYRIGHT BY TYCO ELECTRONICS CORPORATION. ALL RIGHTS RESERVED.


| LOC |     | DIST        |     | REVISIONS |     |      |  |  |  |
|-----|-----|-------------|-----|-----------|-----|------|--|--|--|
| P   | LTR | DESCRIPTION | ECN | DATE      | DWN | APVD |  |  |  |
|     |     |             |     |           |     |      |  |  |  |

|           |             |        |           |      |
|-----------|-------------|--------|-----------|------|
| FIGURE 11 | 4-1393190-2 | 18V    | T7CV1D-18 | U    |
| FIGURE 11 | 4-1393190-3 | 24V    | T7CV1D-24 | t    |
| FIGURE 11 | 4-1393190-1 | 12V    | T7CV1D-12 | s    |
| FIGURE 11 | 1-1393190-2 | 24V    | T7CS1D-24 | r    |
| FIGURE 11 | 1-1393190-0 | 12V    | T7CS1D-12 | q    |
| FIGURE 1  | 6-1393190-3 | 48V    | T7CV5D-48 | p    |
| FIGURE 1  | 6-1393190-0 | 24V    | T7CV5D-24 | o    |
| FIGURE 1  | 5-1393190-6 | 18V    | T7CV5D-18 | n    |
| FIGURE 1  | 5-1393190-3 | 12V    | T7CV5D-12 | m    |
| FIGURE 1  | 4-1393190-9 | 9V     | T7CV5D-09 | l    |
| FIGURE 1  | 4-1393190-7 | 6V     | T7CV5D-06 | k    |
| FIGURE 1  | 4-1393190-6 | 5V     | T7CV5D-05 | j    |
| FIGURE 1  | 4-1393190-5 | 3V     | T7CV5D-03 | i    |
| FIGURE 1  | 3-1393190-1 | 48V    | T7CS5D-48 | h    |
| FIGURE 1  | 2-1393190-8 | 24V    | T7CS5D-24 | g    |
| FIGURE 1  | 2-1393190-5 | 18V    | T7CS5D-18 | f    |
| FIGURE 1  | 2-1393190-2 | 12V    | T7CS5D-12 | e    |
| FIGURE 1  | 2-1393190-0 | 9V     | T7CS5D-09 | d    |
| FIGURE 1  | 1-1393190-9 | 6V     | T7CS5D-06 | c    |
| FIGURE 1  | 1-1393190-8 | 5V     | T7CS5D-05 | b    |
| FIGURE 1  | 1-1393190-7 | 3V     | T7CS5D-03 | a    |
| FIGURE    | TE PART NO  | PART B | PART A    | ITEM |

RELAY TYPE

| INCOMBUSTIBILITY | MATERIAL    | DESCRIPTION              | ITEM |
|------------------|-------------|--------------------------|------|
|                  | UV RESIN    | UV SEAL(FOR SEALED TYPE) | 14   |
|                  | EPOXY RESIN | SEAL                     | 13   |
|                  | MM79        | MAGNETIC WIRE            | 12   |
| UL94 V-0         | PBT         | CASE                     | 11   |
| UL94 V-0 CLASS-F | PET         | BOBBIN                   | 10   |
|                  | CP WIRE     | COIL TERMINAL            | 9    |
|                  | Ag ALLOY    | STATIONARY CONTACT       | 8    |
|                  | Ag ALLOY    | MOVABLE CONTACT          | 7    |
|                  | Cu ALLOY    | NC TERMINAL              | 6    |
|                  | Cu ALLOY    | NO TERMINAL              | 5    |
|                  | Cu ALLOY    | MOVABLE SPRING           | 4    |
|                  | STEEL       | CORE                     | 3    |
|                  | STEEL       | ARMATURE                 | 2    |
|                  | STEEL       | YOKE                     | 1    |

THIS DRAWING IS A CONTROLLED DOCUMENT FOR TYCO ELECTRONICS CORPORATION  
 IT IS SUBJECT TO CHANGE AND THE CONTROLLING ENGINEERING ORGANIZATION  
 SHOULD BE CONTACTED FOR THE LATEST REVISION.

|                  |            |   |
|------------------|------------|---|
| DWN              | H.SASAKI   |  Tyco Electronics Corporation<br>Shenzhen, China |
| CHK              | N.FUNAYAMA |   |
| APVD             | A.NAGAI    | NAME  |
| PRODUCT SPEC     | -          | T7C*5(1)D-**,009 CUSTOMER DRAWING   |
| APPLICATION SPEC | -          | SIZE  |
| WEIGHT           | -          | CAGE CODE   |
| CUSTOMER DRAWING |            | DRAWING NO  |
|                  |            | RESTRICTED TO   |
|                  |            | SCALE   |
|                  |            | SHEET   |
|                  |            | REV   |

| DIMENSIONS: | TOLERANCES UNLESS OTHERWISE SPECIFIED: |
|-------------|--|
| mm          | 0 PLC ±                                |
|             | 1 PLC ±                                |
|             | 2 PLC ±                                |
|             | 3 PLC ±                                |
|             | 4 PLC ±                                |
|             | ANGLES ±                               |
| MATERIAL    | FINISH                                 |
| -           | -                                      |

