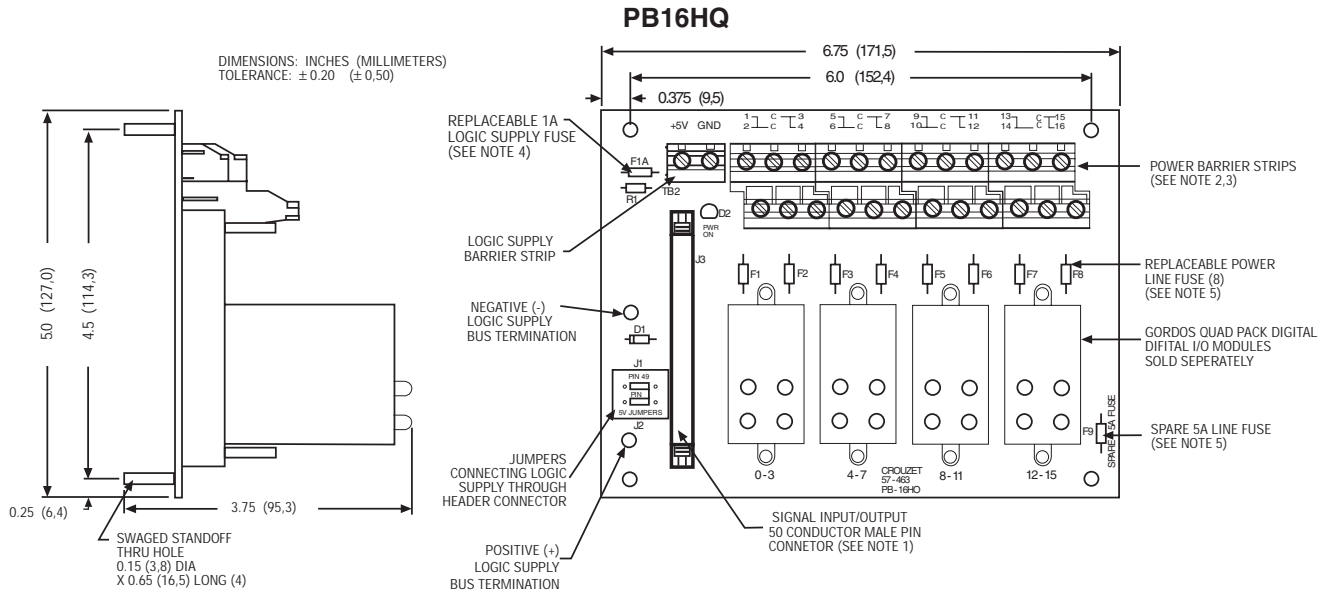


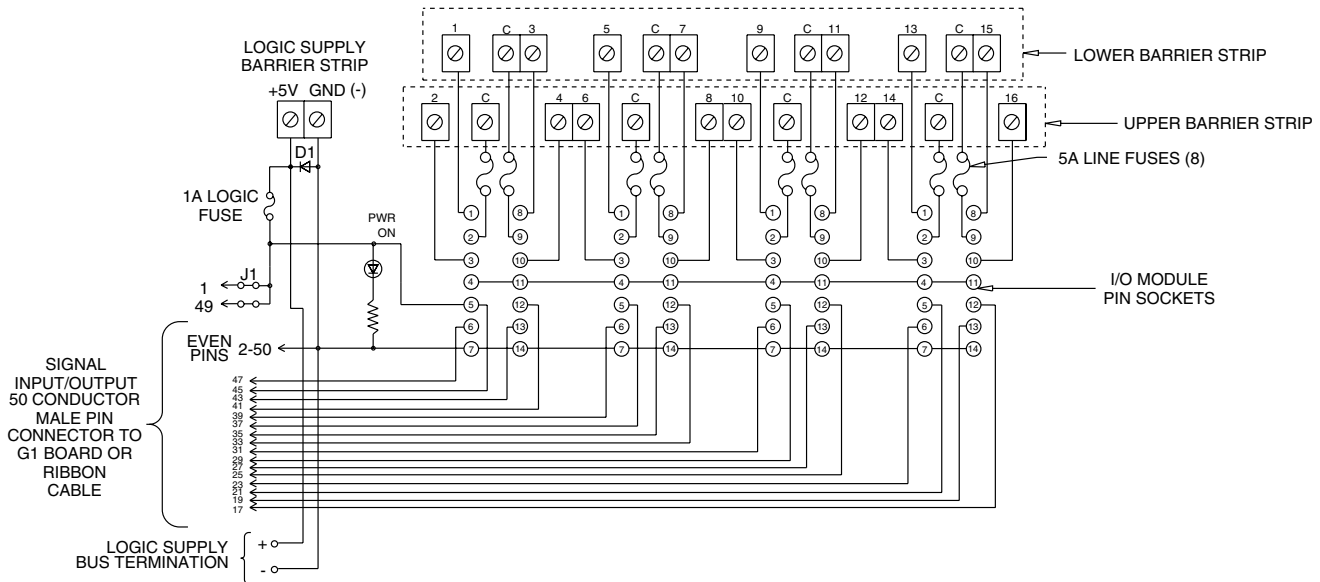
# DIGITAL I/O MODULE MOUNTING BOARDS

## FOR QUAD-PACK MODULES



**NOTES:**

- 1) CONNECTOR IS BERG 65863-145 OR EQUIVALENT.
- 2) 6-32 SCREW TERMINAL BARRIER STRIPS ACCEPT WIRE SIZES FROM 24 TO 12 AWG.
- 3) OPTIONAL JUMPERS AVAILABLE TO INTERCONNECT BARRIER STRIP COMMONS. ORDER 2 EACH JUMPER "JQ4".
- 4) LITTLE FUSE 251001 OR EQUIVALENT.
- 5) LITTLE FUSE 251005 OR EQUIVALENT.



Products and specifications subject to change without notice.  
Consult factory for application assistance.