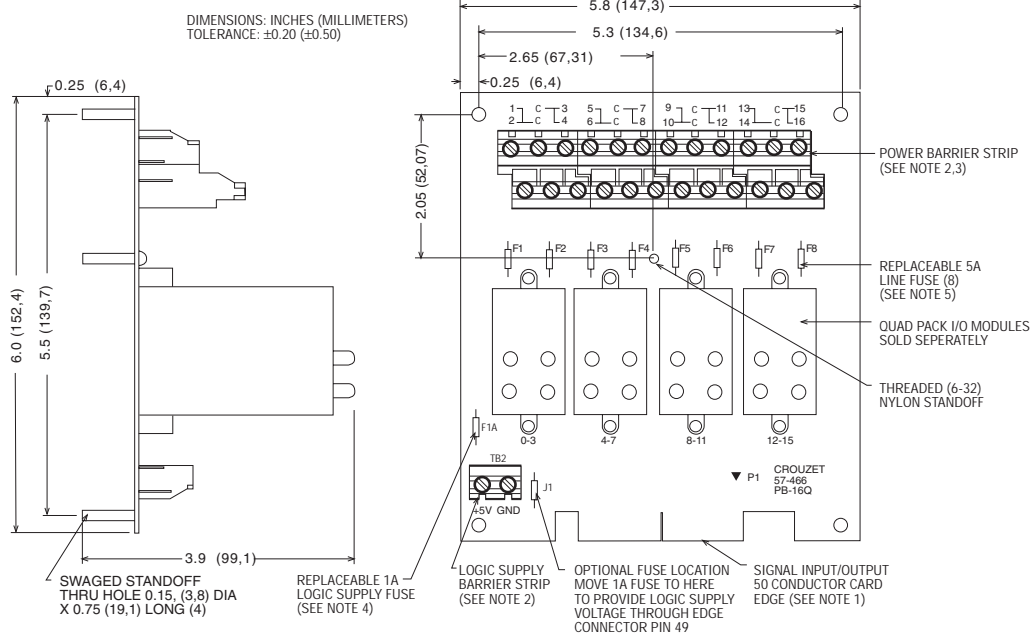


DIGITAL I/O MODULE MOUNTING BOARDS

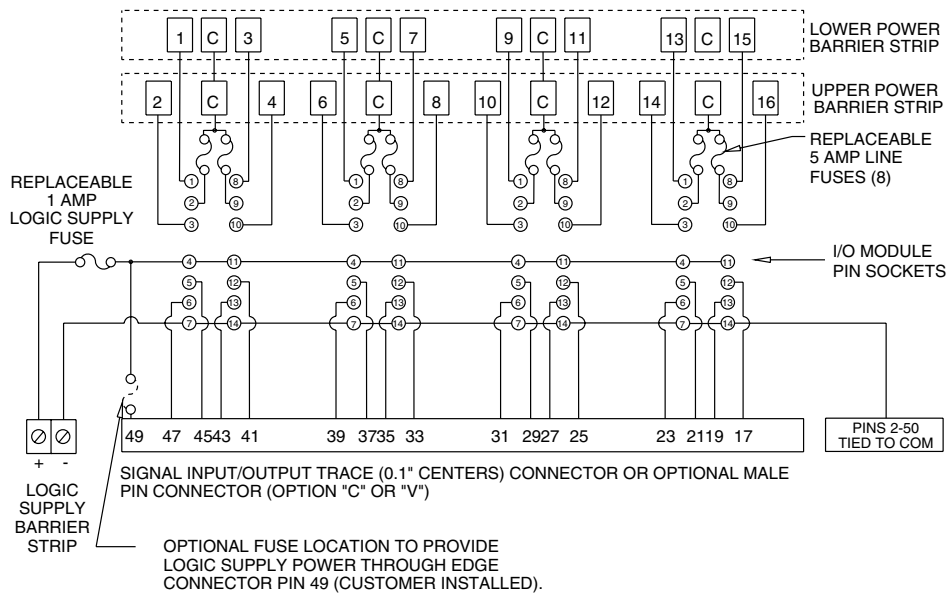
FOR QUAD-PACK MODULES

PB16Q



NOTES:

- MATING CONNECTOR IS BERG 66317-150 OR EQUIVALENT. SPECIFY SUFFIX "C" FOR OPTIONAL BERG 65823-093 (OR EQUIVALENT) MALE PIN CONNECTOR FOR PARALLEL-TO-THE BOARD CABLE CONNECTION. SPECIFY SUFFIX "V" FOR OPTIONAL CIRCUIT ASSEMBLY CA-50H-2B-SR (OR EQUIVALENT) MALE PIN CONNECTOR FOR PERPENDICULAR-TO-THE-BOARD CABLE CONNECTION.
- BARRIER STRIPS ACCEPT WIRE SIZES FROM 24 TO 12 AWG.
- OPTIONAL JUMPERS AVAILABLE TO INTERCONNECT BARRIER STRIP COMMONS. ORDER 2 EACH JUMPER "JQ4".
- LITTLE FUSE 251001 OR EQUIVALENT.
- LITTLE FUSE 251005 OR EQUIVALENT.



Products and specifications subject to change without notice.
Consult factory for application assistance.