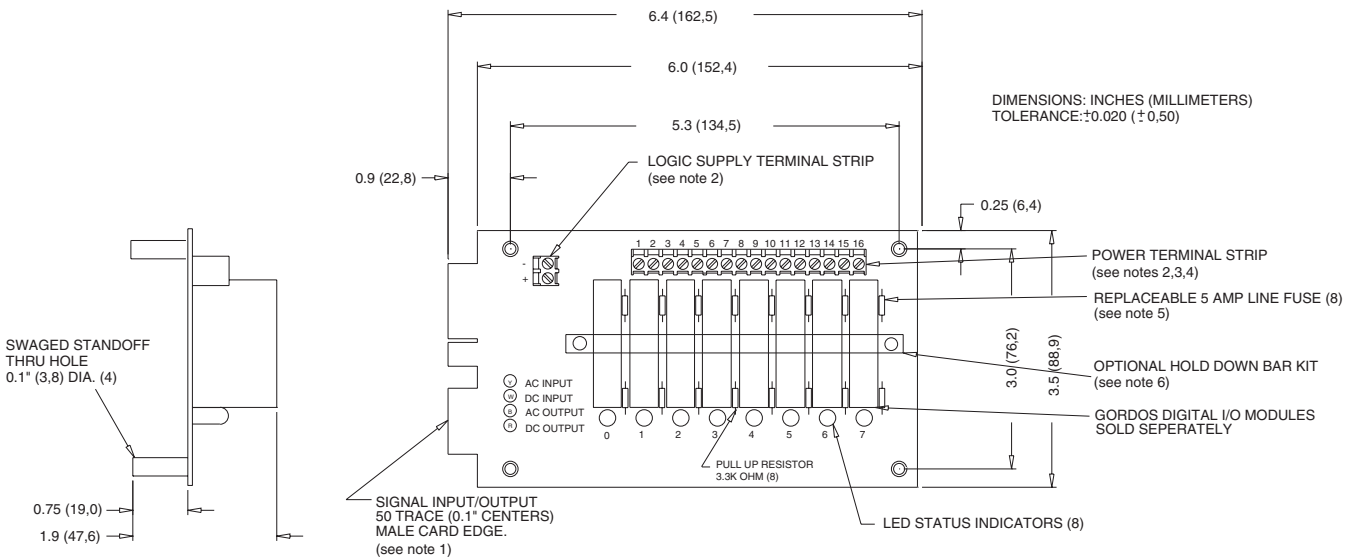


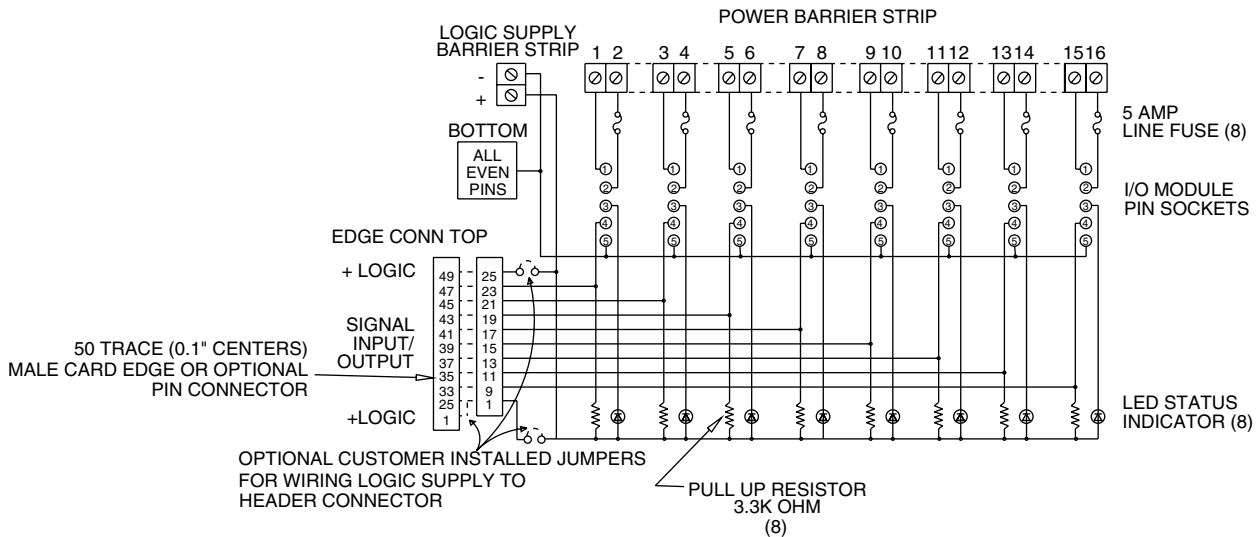
# DIGITAL I/O MODULE MOUNTING BOARDS

FOR "M" SERIES MINIATURE MODULES

## PB8M



- NOTES: 1) MATING CONNECTOR IS BERG 66317-150 OR EQUIVALENT. SPECIFY SUFFIX 'C' FOR OPTIONAL 65823-093 OR EQUIVALENT MALE PIN CONNECTOR FOR PARALLEL-TO-THE-BOARD CABLE CONNECTION. SPECIFY SUFFIX 'V' FOR OPTIONAL CIRCUIT ASSEMBLY CA-50H-2B-SR OR EQUIVALENT MALE PIN CONNECTOR FOR PERPENDICULAR-TO-THE-BOARD CABLE CONNECTION.
- 2) 4-40 SCREW TERMINAL STRIPS ACCEPT WIRE SIZES FROM 26 TO 14 AWG.
- 3) OPTIONAL JUMPERS ARE AVAILABLE TO INTERCONNECT BARRIER STRIP COMMONS. ORDER 1 EACH "JM8".
- 4) PHOENIX MKD51.5 5.08mm SERIES (OR EQUIVALENT) SCREW TERMINAL BLOCKS STANDARD. SPECIFY SUFFIX "A" FOR BOARD-MOUNTED PHOENIX MSTBVA 1.5/16-G-5.08 (OR EQUIVALENT) MALE CONNECTOR. SPECIFY SUFFIX "B" FOR BOARD-MOUNTED PHOENIX MSTBVA 1.5/16-G-5.08 (OR EQUIVALENT) MALE CONNECTOR AND MATING PHOENIX MSTBVA 1.5/16-ST-5.08 (OR EQUIVALENT) FEMALE, SCREW-TERMINAL PLUG-IN CONNECTOR.
- 5) LITTLE FUSE 251005 OR EQUIVALENT.
- 6) TWO HOLD-DOWN BAR KITS ARE AVAILABLE SEPARATELY. MODEL NO. 11.06.414 EMPLOYS A PLAIN ALUMINUM CHANNEL WHILE MODEL NO. 11.06.293 PROVIDES POCKETS IN THE CHANNEL FOR INDIVIDUAL MODULES.



Products and specifications subject to change without notice.  
Consult factory for application assistance.