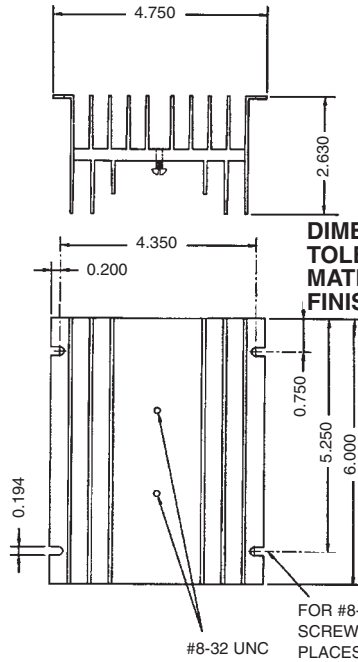


## SOLID STATE RELAY ACCESSORIES

### HS5 HEATSINK

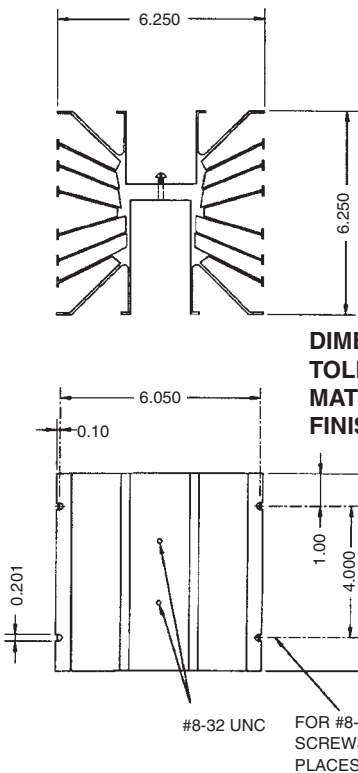
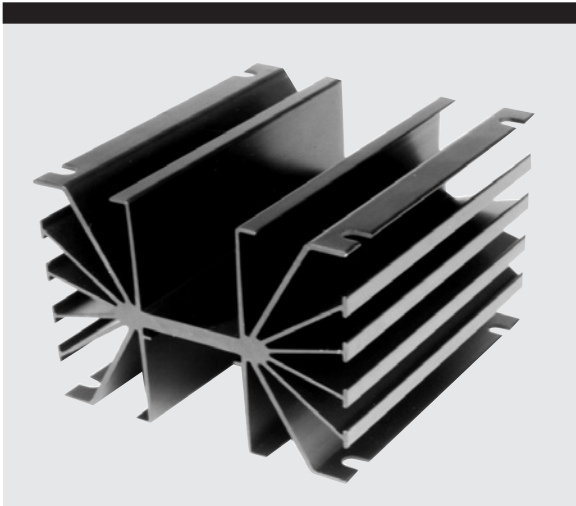


**DIMENSIONS:** inches  
**TOLERANCES:**  $\pm 0.02$  inches  
**MATERIAL:** AISI 6063-T5 Aluminum  
**FINISH:** Black Anodized

#### ORDERING INFORMATION:

Model #	Description
HS5	Heatsink 0.7°C/W (For Single Phase SSR's)

### HS6 HEATSINK



**DIMENSIONS:** inches  
**TOLERANCES:**  $\pm 0.02$  inches  
**MATERIAL:** AISI 6063-T5 Aluminum  
**FINISH:** Black Anodized

#### ORDERING INFORMATION:

Model #	Description
HS6	Heatsink 0.5°C/W (For Single Phase SSR's)

Products and specifications subject to change without notice.  
 Consult factory for application assistance.

204 Airline Drive, Suite 300, Coppell, Texas 75019 / Tel: (800) 677-5311 / FAX: (800) 677-3865 / [www.crouzet-usa.com](http://www.crouzet-usa.com)