

- Protection From Electric Shock
- Fit Standard Crydom SSRs
- Single and Three Phase SSR Covers

## PRODUCTION DESCRIPTION

The KS100 and KS300 are protective covers made of clear polycarbonate material, which are designed to fit over standard CRYDOM SSRs. They provide added protection from electric shock when installing or checking equipment.

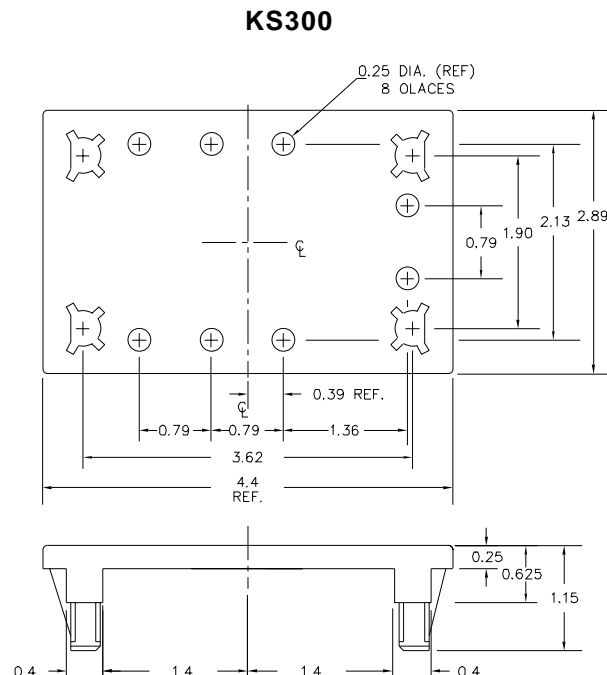
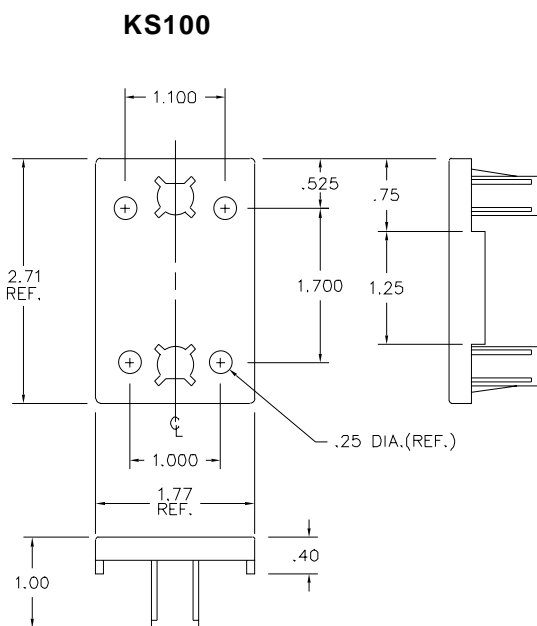
## USE GUIDE

Care should be taken to fit the KS100 or KS300 as per instructions to ensure maximum protection.

## DESIGN ADVANTAGE

The CRYDOM KS100 and KS300 protective covers have been designed specially for Crydom Solid State Relays, and have been made simple to install. The polycarbonate material used is UL94V-0 approved.

## MECHANICAL OUTLINE



© 2003 CRYDOM CORP, Specifications subject to change without notice.