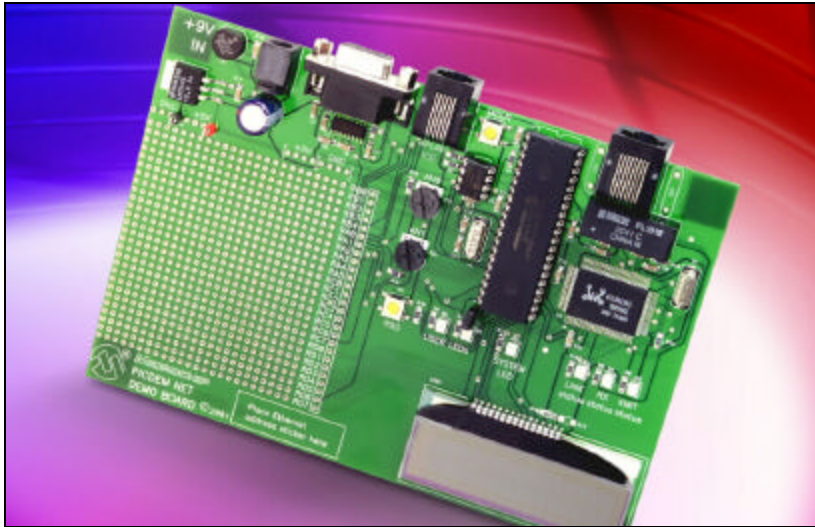


PICDEM.net™

Internet/Ethernet Demonstration Board DM163004



The PICDEM.net™ demonstration board is an Internet/Ethernet demonstration board using the PIC16F877 microcontroller and TCP/IP firmware. The board supports any 40-pin DIP device that conforms to the standard pin out used by the PIC16F877 or PIC18C452.

The firmware used for the network interface was developed by Jeremy Bentham of Iosoft Ltd. based on his book *TCP/IP Lean: Web Servers for Embedded Systems* (ISBN: 1-929629-11-7).

The PICDEM.net supports Ethernet and RS-232 interfaces. A standard web browser such as Microsoft® Internet Explorer or Netscape™ Navigator is used to view HTML web pages that are generated by the PICmicro® microcontroller itself.

The initial board configuration is performed via the RS-232 port using a standard terminal program to configure the IP, Ethernet, etc., addresses for the board.

The demo board is also equipped with a 6-pin modular connector to interface directly with the Microchip In-Circuit Debugger (ICD). With the addition of the ICD (sold separately, P/N DV164002) the developer can now modify or reprogram the onboard FLASH-based PICmicro microcontroller to meet the specific needs. A generous breadboarding area is also available to add your special circuits for experimentation. It is large enough to add an embedded modem to provide for dial up capability.

Several status indicators and user interface devices are provided, including a 16 x 2 LCD indicator and LEDs.

Features:

- User friendly TCP/IP stack
- Web server with HTML
- 24L256 Serial EEPROM
- Firmware for Xmodem to download web pages into Serial EEPROM
- ICSP™/ICD interface connector
- Ethernet interface
- RS-232 interface
- 16 x 2 LCD display

Includes:

- Demo Board
- Textbook:
TCP/IP Lean: Web Servers for Embedded Systems
- PIC16F877 MCU
- Firmware by Iosoft Ltd.
- MPLAB® IDE Software
- PICDEM.net User's Guide
- CAT 5 Ethernet Cable
- DB9 Serial Cable
- Universal Power Supply



Ordering Information:

Model Name:

PICDEM.net™ Demonstration Board

Ordering Part Number:

DM163004

Host System Requirements:

- PC compatible machine with 486 or higher processor
- 4MB RAM, 16MB recommended
- 2MB available hard disk space
- Microsoft® Windows® 95/98/NT®
- CD ROM Drive
- One serial port

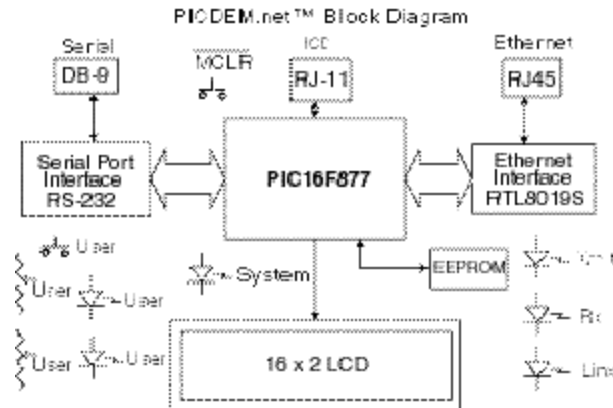
Customer Support:

Microchip Technology maintains a worldwide network of distributors, representatives, local sales offices and Field Application Engineers. To obtain more information contact Microchip Technology's Internet home page at:

<http://www.microchip.com>

System Description:

The PICDEM.net board is used to experiment with Microchip's various TCP/IP solutions. The user has immediate network access after the initial set up of the IP address. The FLASH microcontroller allows modifications to the demonstration program to add application software. The breadboard area includes a regulated 5V power supply for the addition of sensors or custom circuits for testing. Other standard or custom stack control software can be loaded for evaluation.



Development Tools from Microchip	
MPLAB®IDE	Integrated Development Environment (hardware/software)
MPASM™ Assembler	Universal PICmicro® macro-assembler software
MPLINK™ Object Linker	Linker Software
MPLIB™ Object Librarian	Librarian Software
MPLAB SIM Simulator	Simulator Software
MPLAB C18	C compiler for PIC18CXXX family
C compilers	Sold by third-party vendors (HI-TECH, IAR, CCS, etc.)
TCP/IP Software	Sold by third-party vendors (Live Devices, CMX, etc.)
MPLAB ICD	In-circuit Debugger
MPLAB ICE 2000	Full-featured modular in-circuit emulator
PICSTART® Plus Programmer	Entry-level program loader & development kit
PRO MATE® II Programmer	Full-featured, modular design/production device programmer

Americas

Atlanta (770) 640-0034
 Austin-Analog (512) 345-2030
 Boston (978) 692-3848
 Boston-Analog (978) 371-6400
 Chicago (630) 285-0071
 Dallas (972) 818-7423
 Dayton (937) 291-1654
 Detroit (248) 538-2250
 Los Angeles (949) 263-1888
 Mountain View-Analog (650) 968-9241
 New York (631) 273-5305
 San Jose (408) 436-7950
 Toronto (905) 673-0699

Asia/Pacific

Australia 61 2 9868 6733
 China - Beijing 86-10-85282100
 China - Shanghai 86-21-6275-5700
 Hong Kong 852-2-401-1200
 India 91-80-229-0061
 Japan 81-45-471- 6166
 Korea 82-2-554-7200
 Singapore 65-334-8870
 Taiwan 886-2-2717-7175

Europe

Denmark 45 4420 9895
 France 33-1-69-53-63-20
 Germany 49-89-627-144 0
 Germany-Analog 49 89 895650 0
 Italy 39-039-65791-1
 United Kingdom 44 118 921 5869

As of 02/01/01



Microchip Technology Inc. • 2355 W. Chandler Blvd. • Chandler, AZ 85224-6199 • (480) 792-7200 • Fax (480) 792-9210

Information subject to change. The Microchip name and logo, *The Embedded Control Solutions Company*, PIC, PICmicro, PICSTART, PRO MATE, MPLAB, and Keeloq are registered trademarks of Microchip Technology Incorporated in the U.S.A. and other countries. In-Circuit Serial Programming, ICSP, ICEPIC, microD, MXDEV, MPLIB, MPLINK, MPASM, PICC, and PICDEM.net are trademarks of Microchip in the U.S.A. SQTP is a service mark of Microchip Technology Inc. All other trademarks mentioned herein are the property of their respective companies.
 © 2001 Microchip Technology Inc. All rights reserved. Printed in the U.S.A. 2/01