

NBSG86ABAEVB

Evaluation Board Manual for NBSG86A



ON Semiconductor®

<http://onsemi.com>

EVALUATION BOARD MANUAL

DESCRIPTION

This document describes the NBSG86A evaluation board and the appropriate lab test setups. It should be used in conjunction with the device data sheet, which includes specifications and a full description of device operation.

The board is used to evaluate the NBSG86A GigaComm™ differential Smart Gate multi-function logic gate, which can be configured as an AND/NAND, OR/NOR, XOR/XNOR, or 2:1 MUX. The OLS input of the NBSG86A is used to program the peak-to-peak output amplitude between 0 and 800 mV in five discrete steps.

The board is implemented in two layers and provides a high bandwidth 50 Ω controlled impedance environment for higher performance. The first layer or primary trace layer is 5 mils thick Rogers RO6002 material, which is engineered to have equal electrical length on all signal traces from the NBSG86A device to the sense output. The second layer is 32 mils thick copper ground plane.

For standard lab setup and test, a split (dual) power supply is required enabling the 50 Ω impedance from the scope to be used as termination of the ECL signals, where V_{TT} is the system ground ($V_{CC} = 2.0$ V, $V_{TT} = V_{CC} - 2.0$ V and V_{EE} is -0.5 V or -1.3 V, see Setup 1).

What measurements can you expect to make?

The following measurements can be performed in the single-ended (Note 1) or differential mode of operation:

- Frequency Performance
- Output Amplitude (V_{OH} / V_{OL})
- Output Rise and Fall Time
- Output Skew
- Eye pattern generation
- Jitter
- V_{IHCMR} (Input High Common Mode Range)

NOTE:

1. Single-ended measurements can only be made at $V_{CC} - V_{EE} = 3.3$ V using this board setup.

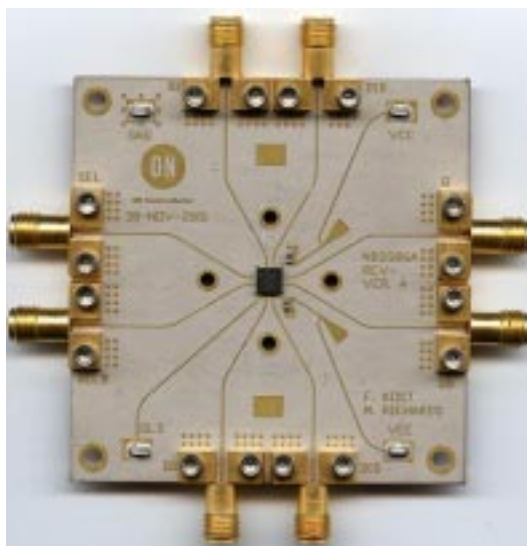


Figure 1. NBSG86A Evaluation Board

NBSG86ABAEVB

Setup for Time Domain Measurements

Table 1. Basic Equipment Needed

Description	Example Equipment (Note 1)	Qty.
Power Supply with 2 Outputs	HP6624A	1
Oscilloscope	TDS8000 with 80E01 Sampling Head (Note 2)	1
Differential Signal Generator	HP 8133A, Advantest D3186	1
Matched High Speed Cables with SMA Connectors	Storm, Semflex	8
Power Supply Cables with Clips		3 / 4 (Note 3)

1. This equipment was used to obtain the measurements included in this document.
2. The 50 GHz sample module was used in order to obtain accurate and repeatable rise, fall, and jitter measurements.
3. Additional power supply cable with clip is needed when output level select (OLS) tested (see device data sheet).

AND/NAND Function Setup

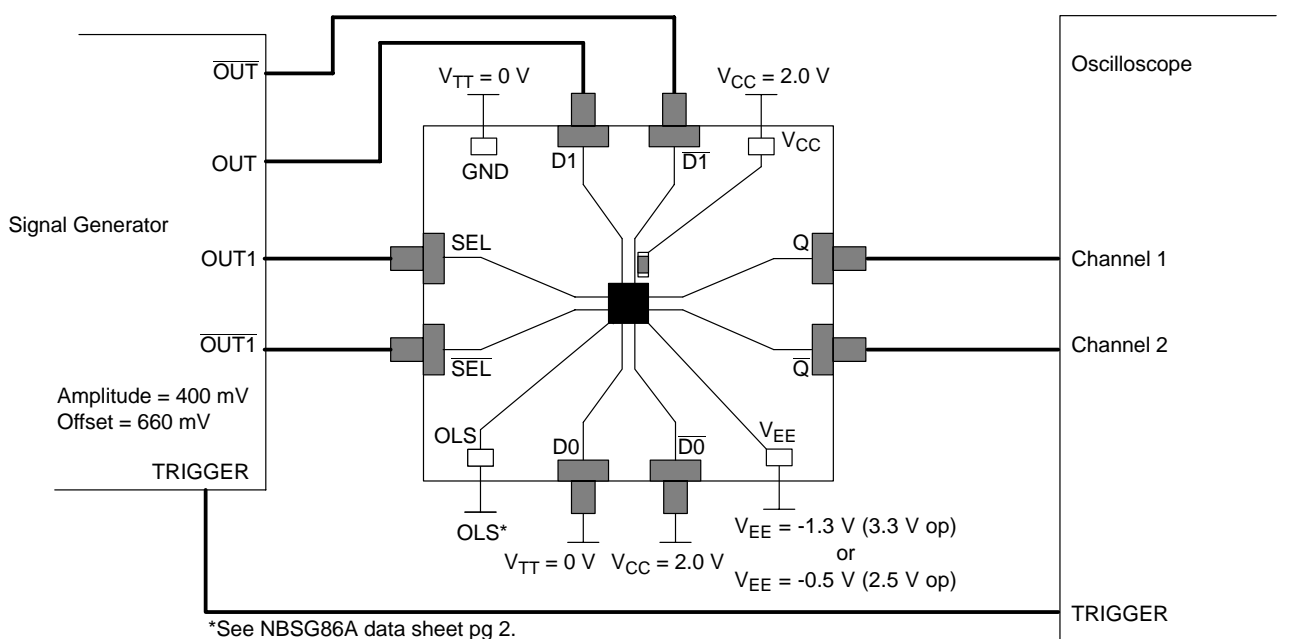


Figure 2. NBSG86A Board Setup - Time Domain (AND/NAND Function)

Connect Power

Step 1:

1a. Connect the following supplies to the evaluation board via surface mount clips.

Power Supply Summary Table

3.3 V Setup	2.5 V Setup
$V_{CC} = 2.0 \text{ V}$	$V_{CC} = 2.0 \text{ V}$
$V_{TT} = \text{GND}$	$V_{TT} = \text{GND}$
$V_{EE} = -1.3 \text{ V}$	$V_{EE} = -0.5 \text{ V}$

AND/NAND Function Setup (continued)

Connect the Inputs

Step 2:

For Differential Mode (3.3 V and 2.5 V operation)

- 2a: Connect the differential outputs of the generator to the differential inputs of the device ($D1/\overline{D1}$ and SEL/\overline{SEL}).
- 2b: Connect the DO input to V_{TT} .
- 2c: Connect the \overline{DO} input to V_{CC} .
- 2d: Connect the generator trigger to the oscilloscope trigger.

For Single-Ended Mode (3.3 V operation only)

- 2a: Connect an AC-coupled output of the generator to the desired differential input of the device.
- 2b: Connect the unused differential input of the device to V_{TT} (GND) through a 50 Ω resistor.
- 2c: Connect the DO input to V_{TT} .
- 2d: Connect the \overline{DO} input to V_{CC} .
- 2e: Connect the generator trigger to the oscilloscope trigger.

All Function Setups

Connect OLS (Output Level Select) to the required voltage to obtain desired output amplitude. Refer to the NBSG86A device data sheet page 2 OLS voltage table.

Setup Input Signal

Step 3:

- 3a: Set the signal generator amplitude to 400 mV. Note that the signal generator amplitude can vary from 75 mV to 900 mV to produce a 400 mV DUT output.
- 3b: Set the signal generator offset to 660 mV (the center of a nominal RSECL output). Note that the V_{IHCMR} (Input High Voltage Common Mode Range) allows the signal generator offset to vary as long as V_{IH} is within the V_{IHCMR} range. Refer to the device data sheet for further information.
- 3c: Set the generator output for a square wave clock signal with a 50% duty cycle, or for a PRBS data signal.

Connect Output Signals

Step 4:

- 4a: Connect the outputs of the evaluation board (Q, \overline{Q}) to the oscilloscope. The oscilloscope sampling head must have internal 50 Ω termination to ground.
- NOTE: Where a single output is being used, the unconnected output for the pair **must be** terminated to V_{TT} through a 50 Ω resistor for best operation. Unused pairs may be left unconnected. Since $V_{TT} = 0$ V, a standard 50 Ω SMA termination is recommended.

NBSG86ABAEVB

OR/NOR Function Setup

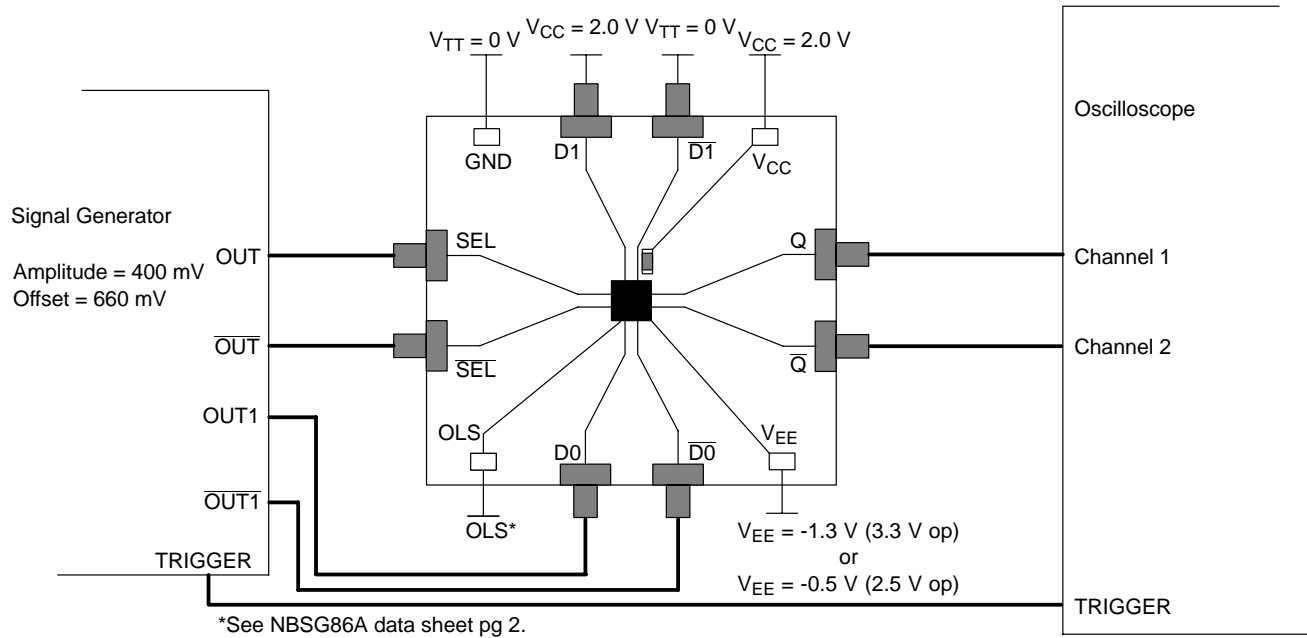


Figure 3. NBSG86A Board Setup - Time Domain (OR/NOR Function)

Connect Power

Step 1:

1a: Connect the following supplies to the evaluation board via surface mount clips.

Power Supply Summary Table

3.3 V Setup	2.5 V Setup
$V_{CC} = 2.0\text{ V}$	$V_{CC} = 2.0\text{ V}$
$V_{TT} = \text{GND}$	$V_{TT} = \text{GND}$
$V_{EE} = -1.3\text{ V}$	$V_{EE} = -0.5\text{ V}$

OR/NOR Function Setup (continued)

Step 2:

Connect the Inputs

For Differential Mode (3.3 V and 2.5 V operation)

2a: Connect the differential outputs of the generator to the differential inputs of the device (D0/ $\overline{D0}$ and SEL/ \overline{SEL}).

2a: Connect the $\overline{D1}$ input to V_{TT} .

2b: Connect the D1 input to V_{CC} .

2e: Connect the generator trigger to the oscilloscope trigger.

For Single-Ended Mode (3.3 V operation only)

2a: Connect an AC-coupled output of the generator to the desired differential input of the device.

2b: Connect the unused differential input of the device to V_{TT} (GND) through a 50 Ω resistor.

2c: Connect the $\overline{D1}$ input to V_{TT} .

2d: Connect the D1 input to V_{CC} .

2e: Connect the generator trigger to the oscilloscope trigger.

All Function Setups

Connect OLS (Output Level Select) to the required voltage to obtain desired output amplitude. Refer to the NBSG86A device data sheet page 2 OLS voltage table.

Step 3:

Setup Input Signal

3a: Set the signal generator amplitude to 400 mV. Note that the signal generator amplitude can vary from 75 mV to 900 mV to produce a 400 mV DUT output.

3b: Set the signal generator offset to 660 mV (the center of a nominal RSECL output). Note that the V_{IHCMR} (Input High Voltage Common Mode Range) allows the signal generator offset to vary as long as V_{IH} is within the V_{IHCMR} range. Refer to the device data sheet for further information.

3c: Set the generator output for a square wave clock signal with a 50% duty cycle, or for a PRBS data signal.

Step 4:

Connect Output Signals

4a: Connect the outputs of the evaluation board (Q, \overline{Q}) to the oscilloscope. The oscilloscope sampling head must have internal 50 Ω termination to ground.

NOTE: Where a single output is being used, the unconnected output for the pair **must be** terminated to V_{TT} through a 50 Ω resistor for best operation. Unused pairs may be left unconnected. Since $V_{TT} = 0$ V, a standard 50 Ω SMA termination is recommended.

NBSG86ABAEVB

XOR/XNOR Function Setup

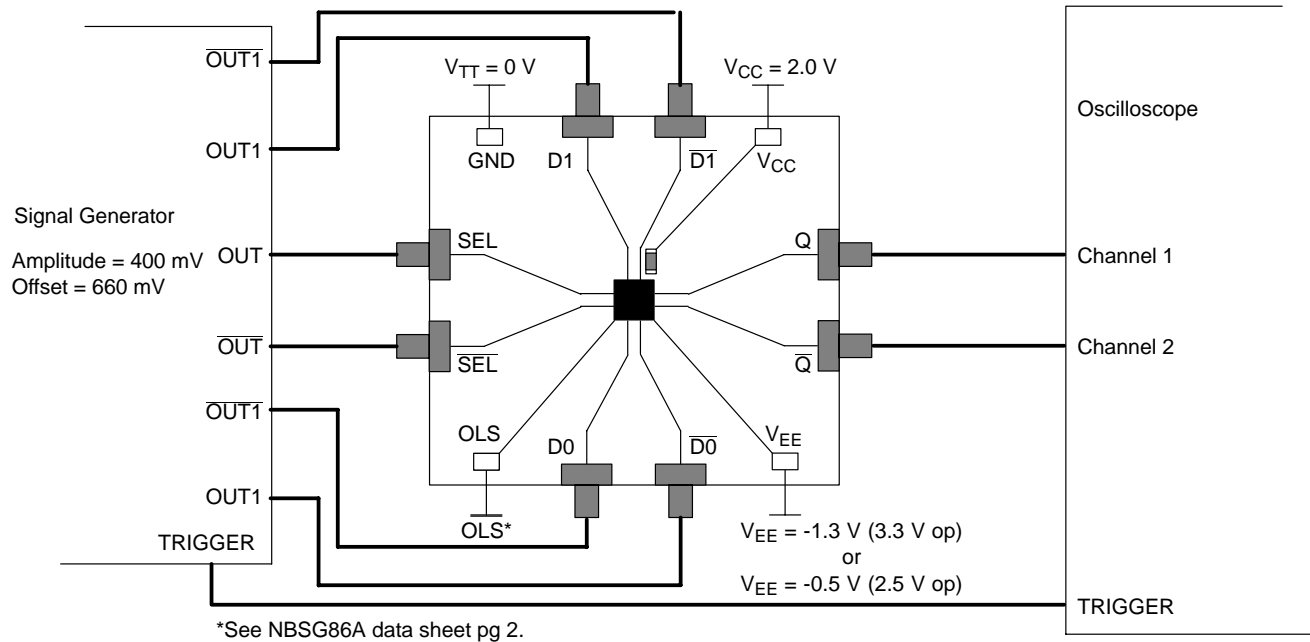


Figure 4. NBSG86A Board Setup - Time Domain (XOR/XNOR Function)

Connect Power

Step 1:

1a: Connect the following supplies to the evaluation board via surface mount clips.

Power Supply Summary Table

3.3 V Setup	2.5 V Setup
$V_{CC} = 2.0\text{ V}$	$V_{CC} = 2.0\text{ V}$
$V_{TT} = \text{GND}$	$V_{TT} = \text{GND}$
$V_{EE} = -1.3\text{ V}$	$V_{EE} = -0.5\text{ V}$

XOR/XNOR Function Setup (continued)

Connect the Inputs

Step 2:

For Differential Mode (3.3 V and 2.5 V operation)

2a: Connect the differential outputs of the generator to the differential inputs of the device (OUT $\overline{\text{OUT}}$ to SEL/ $\overline{\text{SEL}}$; OUT1/ $\overline{\text{OUT1}}$ to DO& $\overline{\text{D1}}$ / $\overline{\text{D0}}$ &D1 respectively).

Step 2e: Connect the generator trigger to the oscilloscope trigger.

For Single-Ended Mode (3.3 V operation only)

2a: Connect an AC-coupled output of the generator to the desired differential input of the device.

2b: Connect the unused differential input of the device to V_{TT} (GND) through a 50 Ω resistor.

2e: Connect the generator trigger to the oscilloscope trigger.

All Function Setups

Connect OLS (Output Level Select) to the required voltage to obtain desired output amplitude. Refer to the NBSG86A device data sheet page 2 OLS voltage table.

Setup Input Signal

Step 3:

3a: Set the signal generator amplitude to 400 mV. Note that the signal generator amplitude can vary from 75 mV to 900 mV to produce a 400 mV DUT output.

3b: Set the signal generator offset to 660 mV (the center of a nominal RSECL output). Note that the V_{IHCMR} (Input High Voltage Common Mode Range) allows the signal generator offset to vary as long as V_{IH} is within the V_{IHCMR} range. Refer to the device data sheet for further information.

3c: Set the generator output for a square wave clock signal with a 50% duty cycle, or for a PRBS data signal.

Connect Output Signals

Step 4:

4a: Connect the outputs of the evaluation board (Q, $\overline{\text{Q}}$) to the oscilloscope. The oscilloscope sampling head must have internal 50 Ω termination to ground.

NOTE: Where a single output is being used, the unconnected output for the pair **must be** terminated to V_{TT} through a 50 Ω resistor for best operation. Unused pairs may be left unconnected. Since $V_{\text{TT}} = 0 \text{ V}$, a standard 50 Ω SMA termination is recommended.

NBSG86ABAEVB

2:1 MUX Function Setup

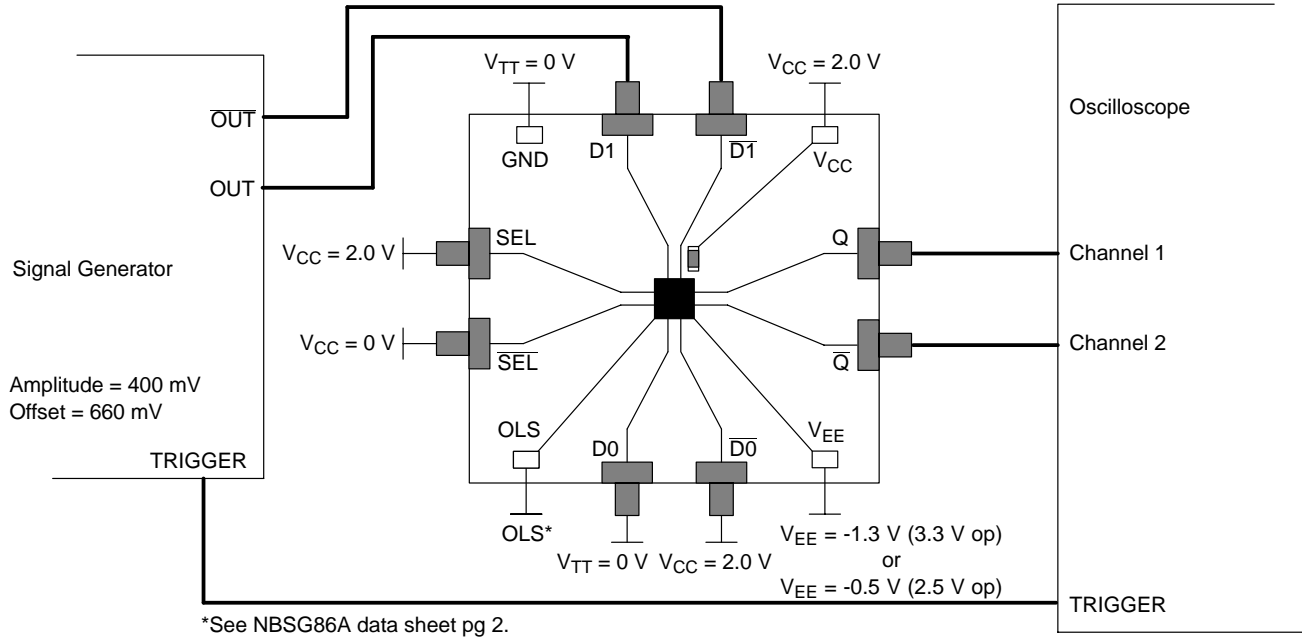


Figure 5. NBSG86A Board Setup - Time Domain (2:1 MUX Function)

Connect Power

Step 1:

1a: Connect the following supplies to the evaluation board via surface mount clips.

Power Supply Summary Table

3.3 V Setup	2.5 V Setup
$V_{CC} = 2.0 \text{ V}$	$V_{CC} = 2.0 \text{ V}$
$V_{TT} = \text{GND}$	$V_{TT} = \text{GND}$
$V_{EE} = -1.3 \text{ V}$	$V_{EE} = -0.5$

2:1 MUX Function Setup (continued)

Step 2:

Connect the Inputs

For Differential Mode (3.3 V and 2.5 V operation)

- 2a: Connect the differential outputs of the generator to the differential inputs of the device (D1/ $\overline{D1}$).
- 2b: Connect the D0 input to V_{TT} and the $\overline{D0}$ input to V_{CC} .
- 2c: Connect the SEL input to V_{CC} and the \overline{SEL} input to V_{TT} .
- 2d: Connect the generator trigger to the oscilloscope trigger.

For Single-Ended Mode (3.3 V operation only)

- 2a: Connect an AC-coupled output of the generator to the desired differential input of the device.
- 2b: Connect the unused differential input of the device to V_{TT} (GND) through a 50 Ω resistor.
- 2c: Connect the D0 input to V_{TT} and the $\overline{D0}$ input to V_{CC} .
- 2d: Connect the SEL input to V_{CC} and the \overline{SEL} input to V_{TT} .
- 2e: Connect the generator trigger to the oscilloscope trigger.

All Function Setups

Connect OLS (Output Level Select) to the required voltage to obtain desired output amplitude. Refer to the NBSG86A device data sheet page 2 OLS voltage table.

Step 3:

Setup Input Signal

- 3a: Set the signal generator amplitude to 400 mV. Note that the signal generator amplitude can vary from 75 mV to 900 mV to produce a 400 mV DUT output.
- 3b: Set the signal generator offset to 660 mV (the center of a nominal RSECL output). Note that the V_{IHCMR} (Input High Voltage Common Mode Range) allows the signal generator offset to vary as long as V_{IH} is within the V_{IHCMR} range. Refer to the device data sheet for further information.
- 3c: Set the generator output for a square wave clock signal with a 50% duty cycle, or for a PRBS data signal.

Step 4:

Connect Output Signals

- 4a: Connect the outputs of the evaluation board (Q, \overline{Q}) to the oscilloscope. The oscilloscope sampling head must have internal 50 Ω termination to ground.

NOTE: Where a single output is being used, the unconnected output for the pair **must be** terminated to V_{TT} through a 50 Ω resistor for best operation. Unused pairs may be left unconnected. Since $V_{TT} = 0$ V, a standard 50 Ω SMA termination is recommended.

NBSG86ABAEVB

Setup for Frequency Domain Measurements

Table 2. Basic Equipment

Description	Example Equipment (Note 4)	Qty.
Power Supply with 2 outputs	HP 6624A	1
Vector Network Analyzer (VNA)	R&S ZVK (10 MHz to 40 GHz)	1
180° Hybrid Coupler	Krytar Model #4010180	1
Bias Tee with 50 Ω Resistor Termination	Picosecond Model #5542-219	1
Matched high speed cables with SMA connectors	Storm, Semflex	3
Power Supply cables with clips		3

4. Equipment used to generate example measurements within this document.

Setup

Step 1:

Connect Power

1a: Three power levels must be provided to the board for V_{CC} , V_{EE} , and GND via the surface mount clips. Using the split power supply mode, $GND = V_{TT} = V_{CC} - 2.0 V$.

Power Supply Connections
3.3 V Setup
$V_{CC} = 2.0 V$
$V_{TT} = GND$
$V_{EE} = -1.3 V$

NOTE: For frequency domain measurements, 2.5 V power supply is not recommended because additional equipment (bias tee, etc.) is needed for proper operation. The input signal has to be properly offset to meet V_{IHCMR} range of the device.

NBSG86ABAEVB

Setup Test Configurations For Differential Operation

Small Signal Setup

Step 2:	Input Setup 2a: Calibrate VNA from 1.0 GHz to 12 GHz. 2b: Set input level to -35 dBm at the output of the 180° Hybrid coupler (input of the DUT).
Step 3:	Output Setup 3a: Set display to measure S21 and record data.

Large Signal Setup

Step 2:	Input Setup 2a: Calibrate VNA from 1.0 GHz to 12 GHz. 2b: Set input levels to -2.0 dBm (500 mV) at the input of DUT.
Step 3:	Output Setup 3a: Set display to measure S21 and record data.

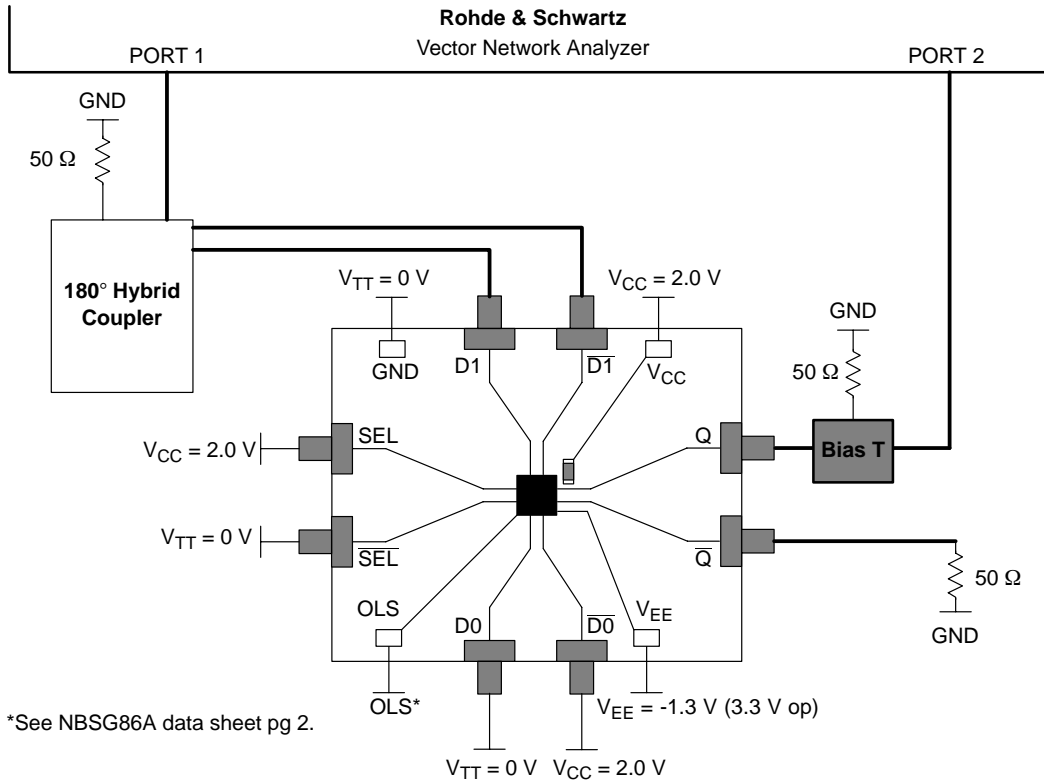


Figure 6. NBSG86A Board Setup - Frequency Domain (Differential 2:1 MUX Function - D1 Selected)

NBSG86ABAEVB

Setup Test Configurations For Single-Ended Operation

Single-Ended Mode – Small Signal

Step 2:	Input Setup 2a: Calibrate VNA from 1.0 GHz to 12 GHz. 2b: Set input level to -35 dBm at the input of DUT.
Step 3:	Output Setup 3a: Set display to measure S21 and record data.

Single-Ended Mode – Large Signal

Step 2:	Input Setup 2a: Calibrate VNA from 1.0 GHz to 12 GHz. 2b: Set input levels to $+2$ dBm (500 mV) at the input of DUT.
Step 3:	Output Setup 3a: Set display to measure S21 and record data.

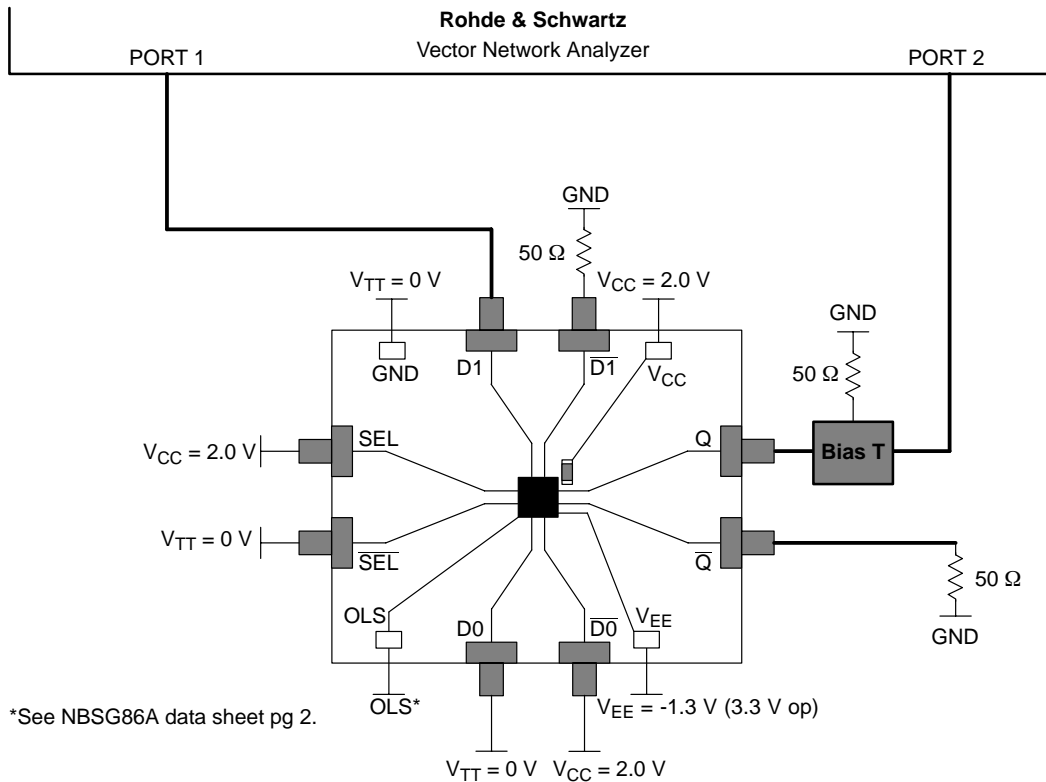


Figure 7. NBSG86A Board Setup - Frequency Domain (Differential 2:1 MUX Function - D1 Selected)

NBSG86ABAEVB

More Information About Evaluation Board

Design Considerations for >10 GHz operation

While the NBSG86A is specified to operate at 12 GHz, this evaluation board is designed to support operating frequencies up to 20 GHz.

The following considerations played a key role to ensure this evaluation board achieves high-end microwave performance:

- Optimal SMA connector launch
- Minimal insertion loss and signal dispersion
- Accurate Transmission line matching (50Ω)
- Distributed effects while bypassing and noise filtering

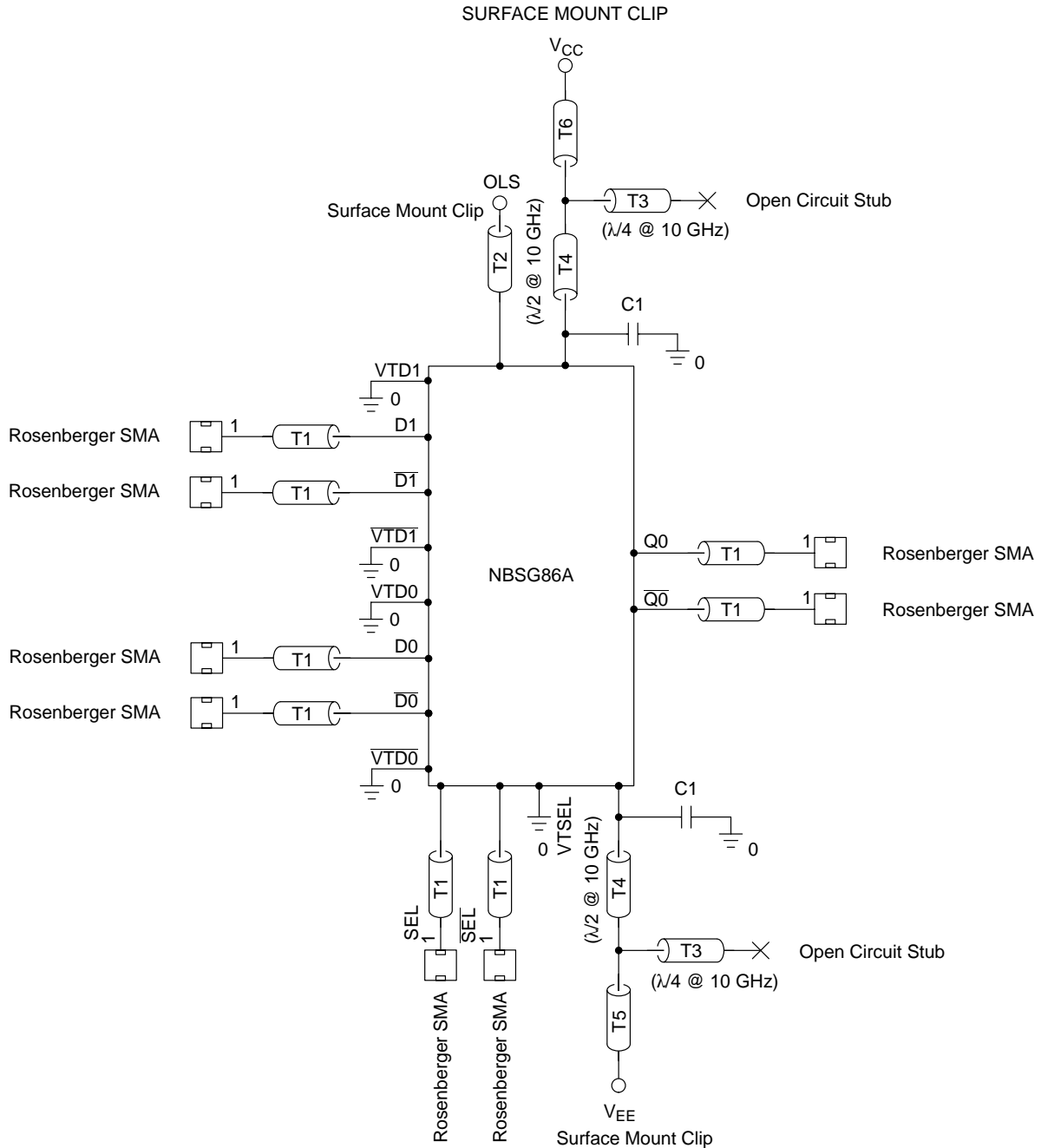


Figure 8. Evaluation Board Schematic

NBSG86ABAEVB

Table 3. Table 3. Parts List

Part No	Description	Manufacturer	WEB address
NBSG86ABA	SiGe Differential Smart Gate with Output Level Select	ON Semiconductor	http://www.onsemi.com
32K243-40ME3	Gold plated connector	Rosenberger	http://www.rosenberger.de
CO6BLBB2X5UX	2 MHz – 30 GHz capacitor	Dielectric Laboratories	http://www.dilabs.com

Table 4. Board Material

Material	Thickness
Rogers 6002	5.0 mil
Copper Plating	32 mil

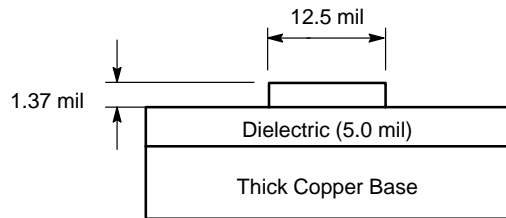


Figure 9. Board Stack-up

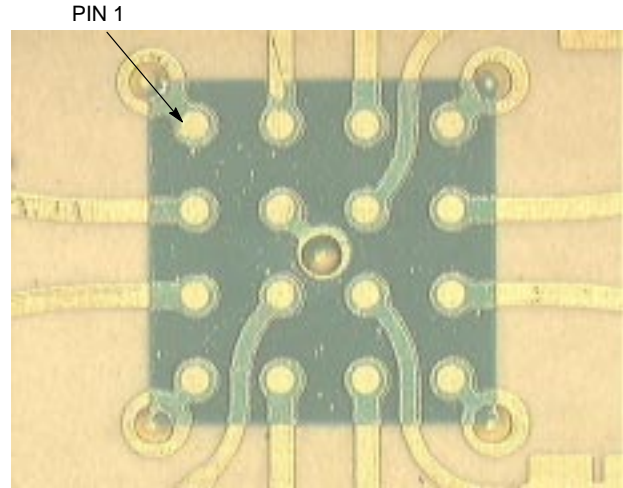
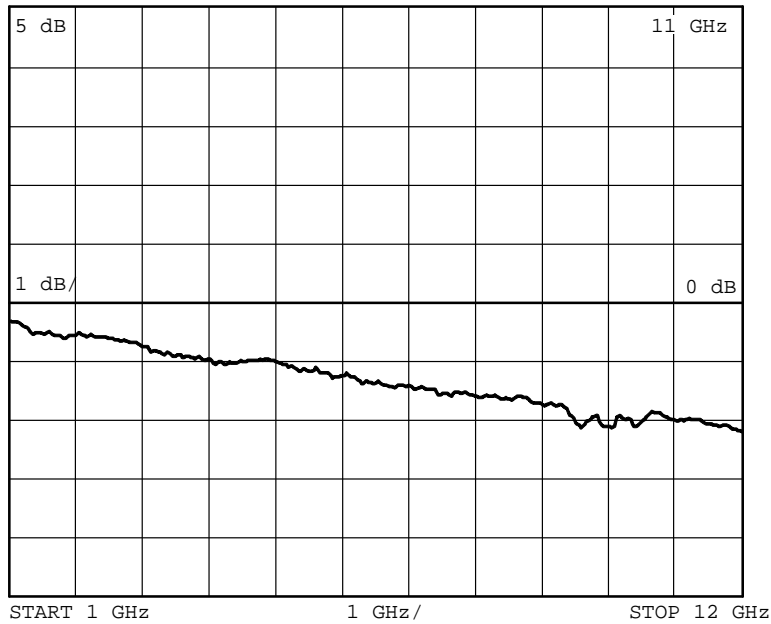


Figure 10. Layout Mask for NBSG86A



NOTE: The insertion loss curve can be used to calibrate out board loss if testing under small signal conditions.

Figure 11. Insertion Loss

NBSG86ABAEVB

EXAMPLE TIME DOMAIN MEASUREMENT RESULTS

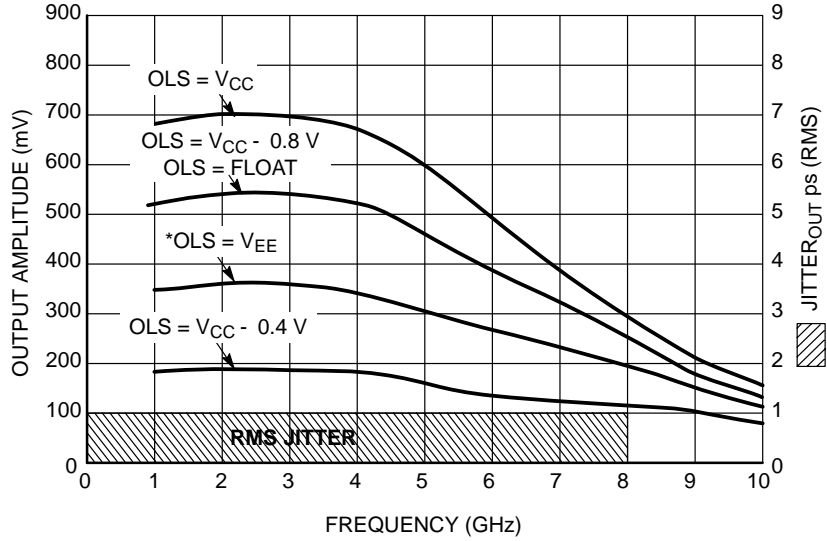


Figure 12. V_{OUT}/Jitter vs. Frequency (2:1 MUX Function)
 (V_{CC} - V_{EE} = 3.3 V @ 25°C; Repetitive 1010 Input Data Pattern)

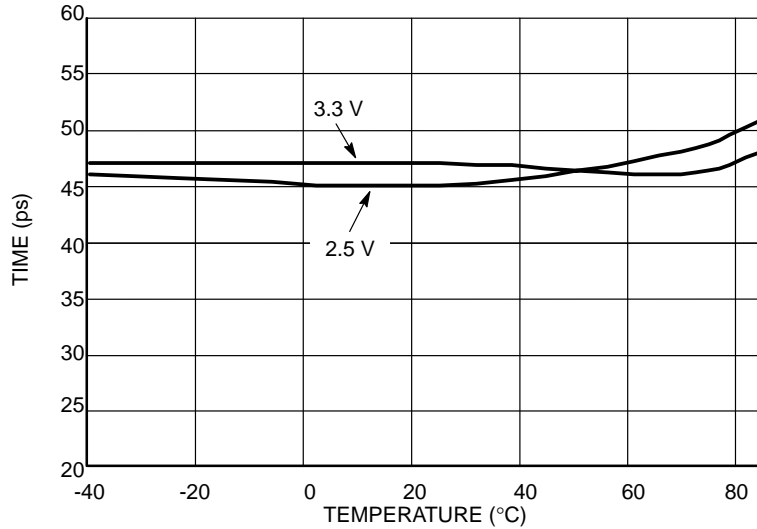


Figure 13. tr. vs. Temperature and Power Supply

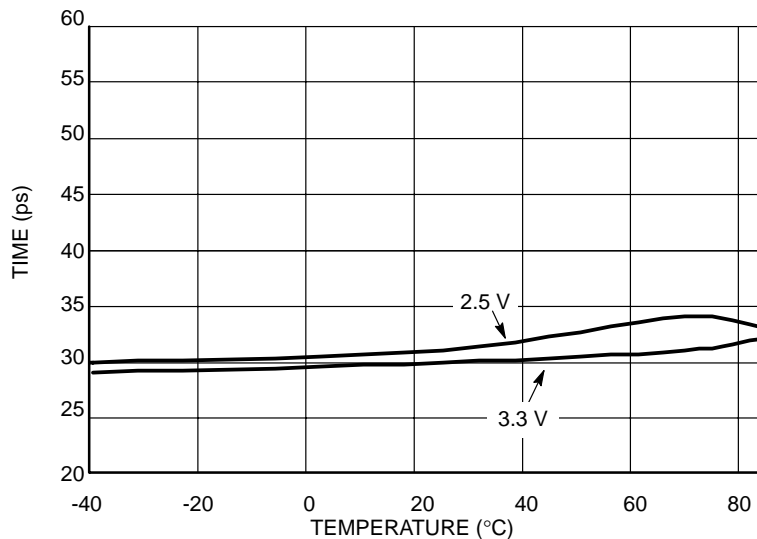


Figure 14. tr. vs. Temperature and Power Supply

NBSG86ABAEVB

EXAMPLE FREQUENCY DOMAIN MEASUREMENT RESULTS

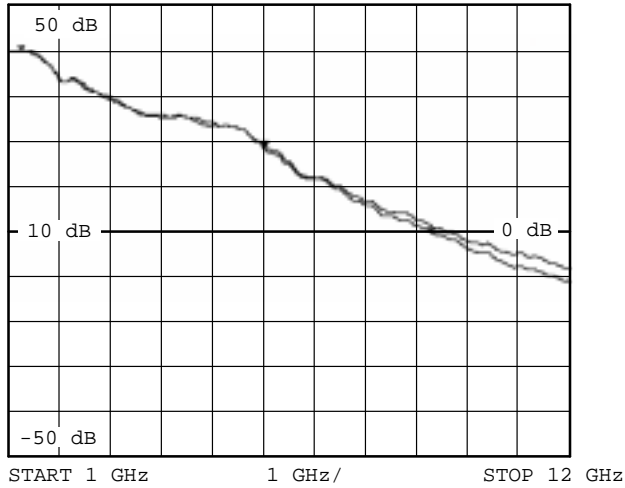


Figure 15. NBSG86A: Small Signal Gain (S21)
 $D0/D0 - Q0/Q0$

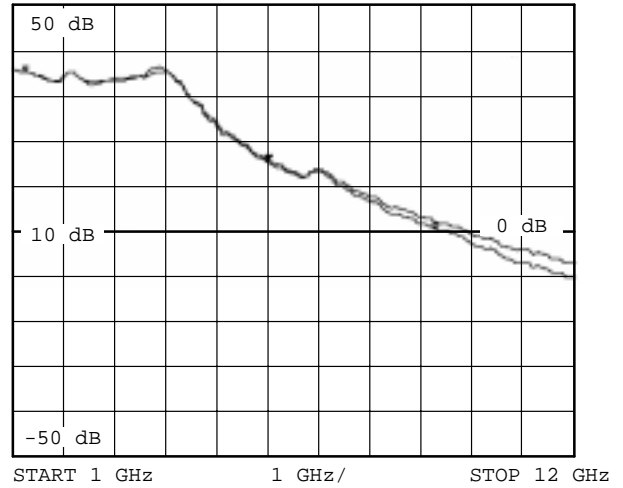


Figure 16. NBSG86A: Small Signal Gain (S21)
 $D1/D1 - Q0/Q0$

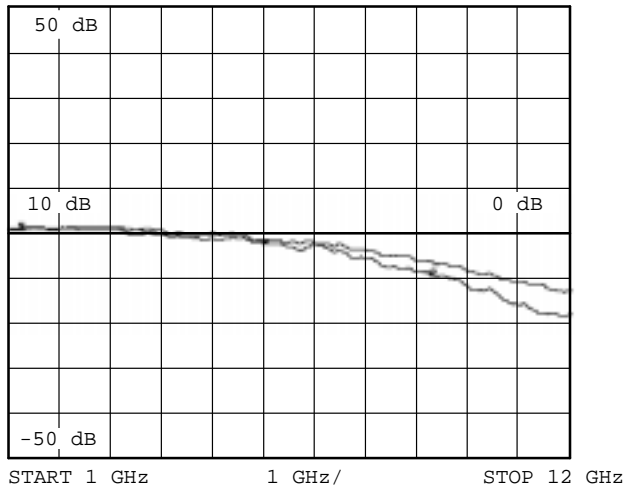


Figure 17. NBSG86A: Large Signal Gain (S21)
 $D0/D0 - Q0/Q0$

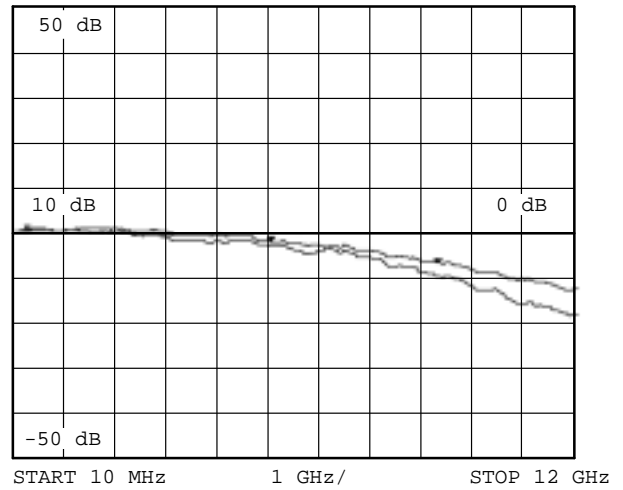


Figure 18. NBSG86A: Large Signal Gain (S21)
 $D1/D1 - Q0/Q0$

NBSG86ABAEVB

ADDITIONAL INFORMATION

www.onsemi.com

In all cases, the most up-to-date information can be found on our website.

- Sample orders for devices and boards
- New Product updates
- Literature download/order
- IBIS and Spice models

AND8075/D, Application Note, *Board Mounting Considerations for the FCBGA Packages*

BRD8017/D, Brochure, *Clock and Data Management Solutions*

NBSG86A/D, Data Sheet, *2.5V/3.3V SiGe Differential Smart Gate with Output Level Select*

References

AND8077/D, Application Note, *GigaComm™ (SiGe) SPICE Modeling Kit*


ORDERING INFORMATION

Orderable Part No	Description	Package	Shipping
NBSG86ABA	SiGe Differential Smart Gate with Output Level Select	4X4 mm FCBGA/16	100 Units/Tray
NBSG86ABAR2	SiGe Differential Smart Gate with Output Level Select	4X4 mm FCBGA/16	500 Units/Reel
NBSG86ABAEVB	NBSG86A Evaluation Board		

Notes

Notes

GigaComm is a trademark of Semiconductor Components Industries, LLC.

ON Semiconductor and  are registered trademarks of Semiconductor Components Industries, LLC (SCILLC). SCILLC reserves the right to make changes without further notice to any products herein. SCILLC makes no warranty, representation or guarantee regarding the suitability of its products for any particular purpose, nor does SCILLC assume any liability arising out of the application or use of any product or circuit, and specifically disclaims any and all liability, including without limitation special, consequential or incidental damages. "Typical" parameters which may be provided in SCILLC data sheets and/or specifications can and do vary in different applications and actual performance may vary over time. All operating parameters, including "Typicals" must be validated for each customer application by customer's technical experts. SCILLC does not convey any license under its patent rights nor the rights of others. SCILLC products are not designed, intended, or authorized for use as components in systems intended for surgical implant into the body, or other applications intended to support or sustain life, or for any other application in which the failure of the SCILLC product could create a situation where personal injury or death may occur. Should Buyer purchase or use SCILLC products for any such unintended or unauthorized application, Buyer shall indemnify and hold SCILLC and its officers, employees, subsidiaries, affiliates, and distributors harmless against all claims, costs, damages, and expenses, and reasonable attorney fees arising out of, directly or indirectly, any claim of personal injury or death associated with such unintended or unauthorized use, even if such claim alleges that SCILLC was negligent regarding the design or manufacture of the part. SCILLC is an Equal Opportunity/Affirmative Action Employer.

PUBLICATION ORDERING INFORMATION

Literature Fulfillment:

Literature Distribution Center for ON Semiconductor
P.O. Box 5163, Denver, Colorado 80217 USA
Phone: 303-675-2175 or 800-344-3860 Toll Free USA/Canada
Fax: 303-675-2176 or 800-344-3867 Toll Free USA/Canada
Email: ONlit@hibbertco.com

N. American Technical Support: 800-282-9855 Toll Free USA/Canada

JAPAN: ON Semiconductor, Japan Customer Focus Center
2-9-1 Kamimeguro, Meguro-ku, Tokyo, Japan 153-0051
Phone: 81-3-5773-3850

ON Semiconductor Website: <http://onsemi.com>

For additional information, please contact your local Sales Representative.