

XTAG-2 Quick Start Guide

Version 1.1

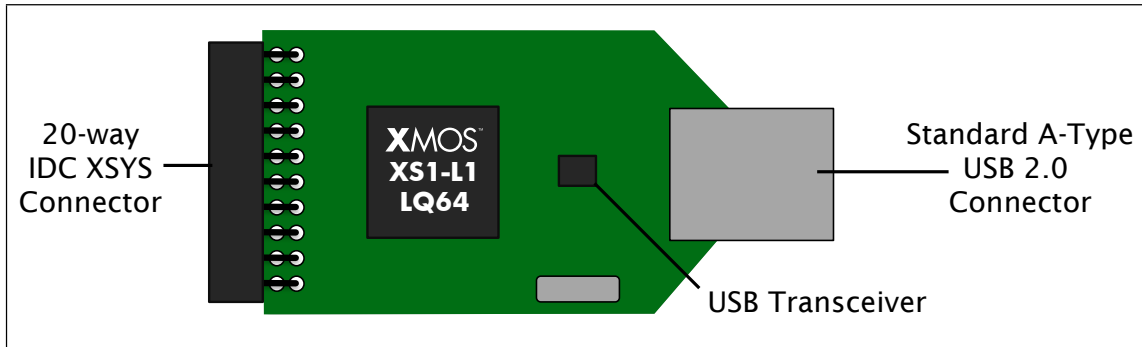


Publication Date: 2010/05/10

Copyright © 2010 XMOS Ltd. All Rights Reserved.

1 Introduction

The XTAG-2 debug adapter is a simple adapter card based on an XS1-L1 64TQFP event-driven processor device. It can be used to connect XMOS development boards with an XSYS2 connector to PCs, providing a JTAG interface to the board and a 5V power supply from a USB 2.0 port.



XTAG-2 Connector

Further information on XTAG-2 is available from <http://www.xmos.com/xtag2>

1.1 System Requirements

- XMOS Design Tools (version 9.9 or later)
- Development board with XMOS XSYS2 Connector

2 XMOS Tools Support

The XTAG-2 can also be used as a development board. To program the device you need to use the XMOS tools, which are provide in a single platform-specific downloadable file from:

<http://www.xmos.com/tools>

Instructions on installing and using the XMOS Tools can be found in the XMOS Tools User Guide http://www.xmos.com/published/xtools_en. The following table provides a summary tools support for the XTAG-2 Debug Adapter.

Minimum tools version required	9.9
Board support file	XTAG-2.xn
Hardware Guide	http://www.xmos.com/published/xtag2hw

3 Document History

Date	Release	Comment
2009-11-03	1.0	First release
2010-05-10	1.1	Added tools support section

Disclaimer

XMOS Ltd. is the owner or licensee of this design, code, or Information (collectively, the "Information") and is providing it to you "AS IS" with no warranty of any kind, express or implied and shall have no liability in relation to its use. XMOS Ltd. makes no representation that the Information, or any particular implementation thereof, is or will be free from any claims of infringement and again, shall have no liability in relation to any such claims.

Copyright © 2010 XMOS Ltd. All Rights Reserved. XMOS and the XMOS logo are registered trademarks of XMOS Ltd in the United Kingdom and other countries, and may not be used without written permission. Company and product names mentioned in this document are the trademarks or registered trademarks of their respective owners. Where those designations appear in this document, and XMOS was aware of a trademark claim, the designations have been printed with initial capital letters or in all capitals.