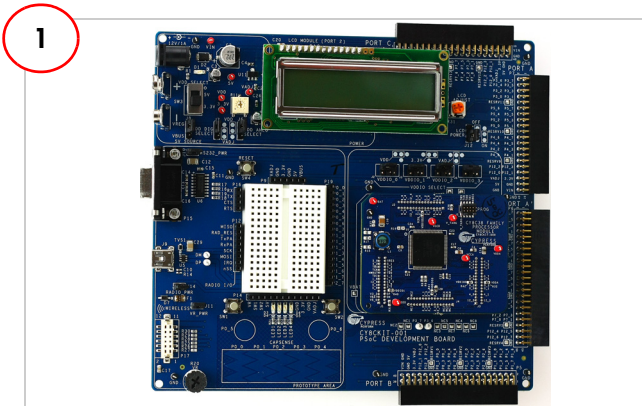
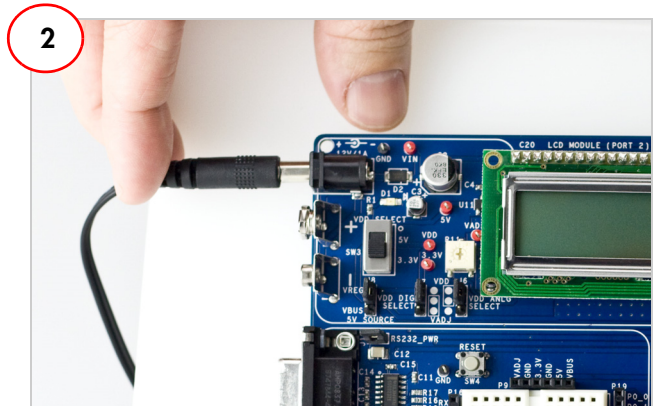


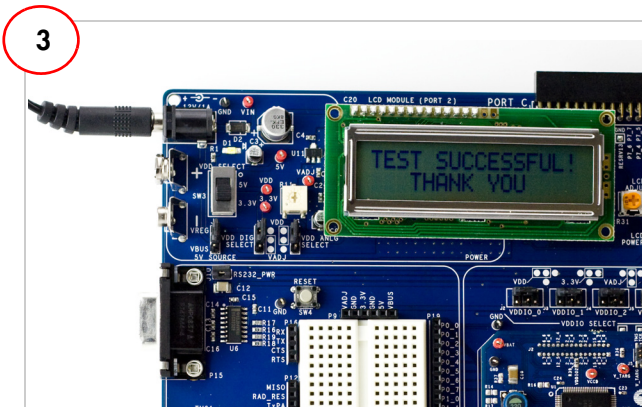
PSoC Development Board Self Test



Remove PSoC Development Board from Kit Packaging



Connect the AC Power Adapter



After self test, read LCD screen for success message



Select an Architecture:

- PSoC 1: Insert the "PSoC 1 Software" CD
- PSoC 3 / PSoC 5: Insert the "PSoC 3 / PSoC 5 Software" CD



For PSoC 1 Development:

- View the Kit User's Guide
- Install the PSoC 1 Software

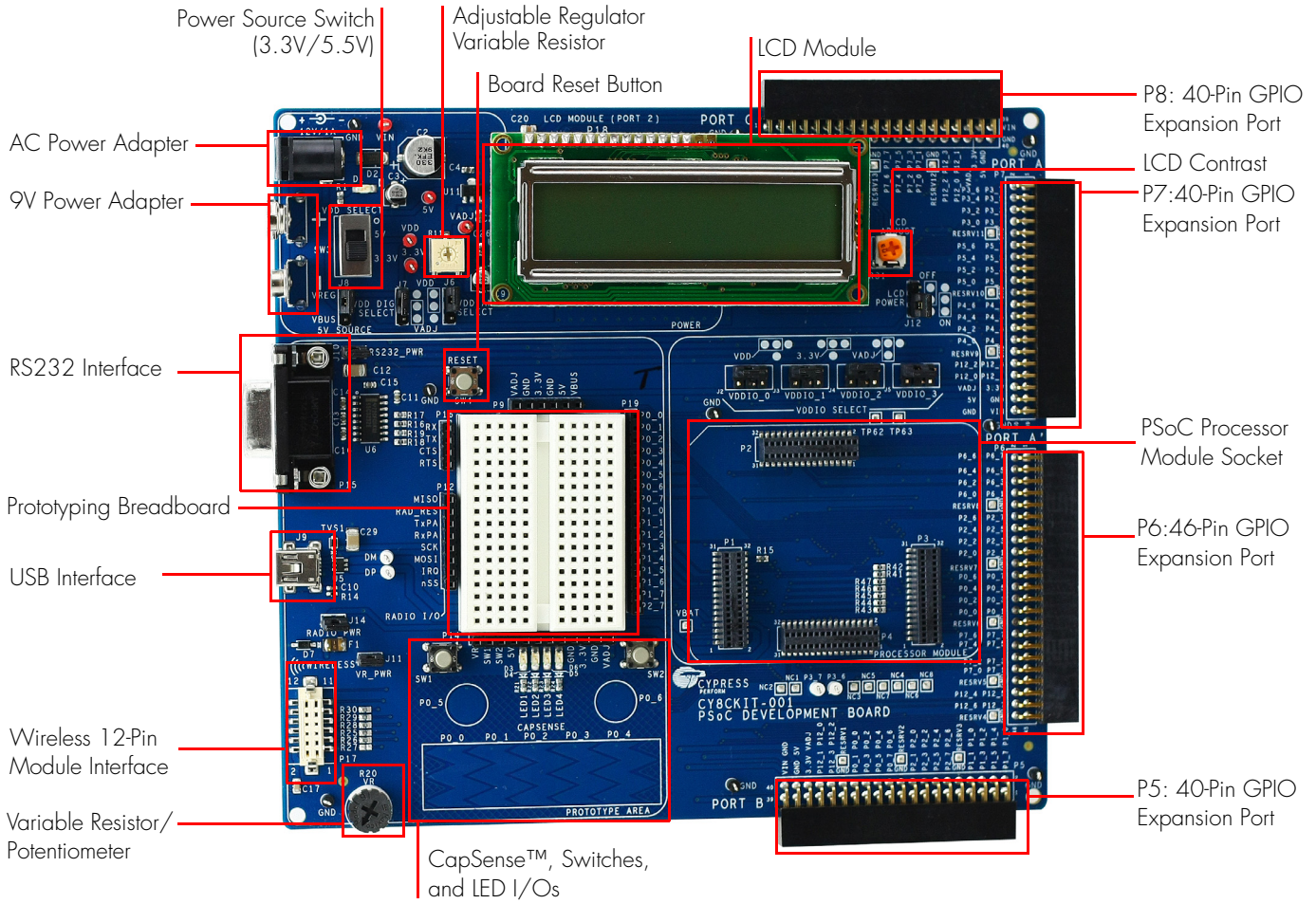


For PSoC 3 / PSoC 5 Development:

- View the Kit User's Guide
- Install the PSoC 3 / PSoC 5 Software

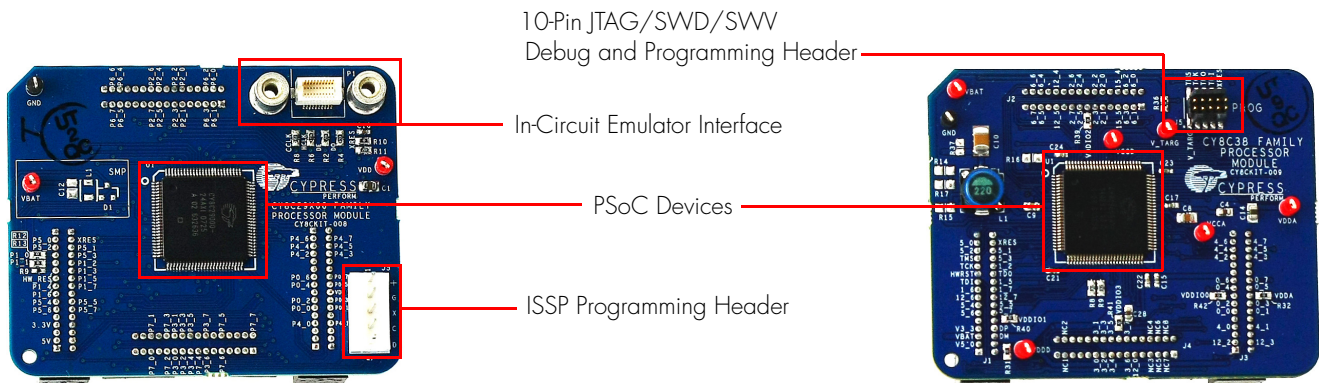
PSoC DEVELOPMENT KIT QUICK START GUIDE

PSoC Development Board



PSoC CY8C29 Family Processor Module

PSoC CY8C38 Family Processor Module



For the latest information about this kit visit
www.cypress.com/go/CY8CKIT-001

