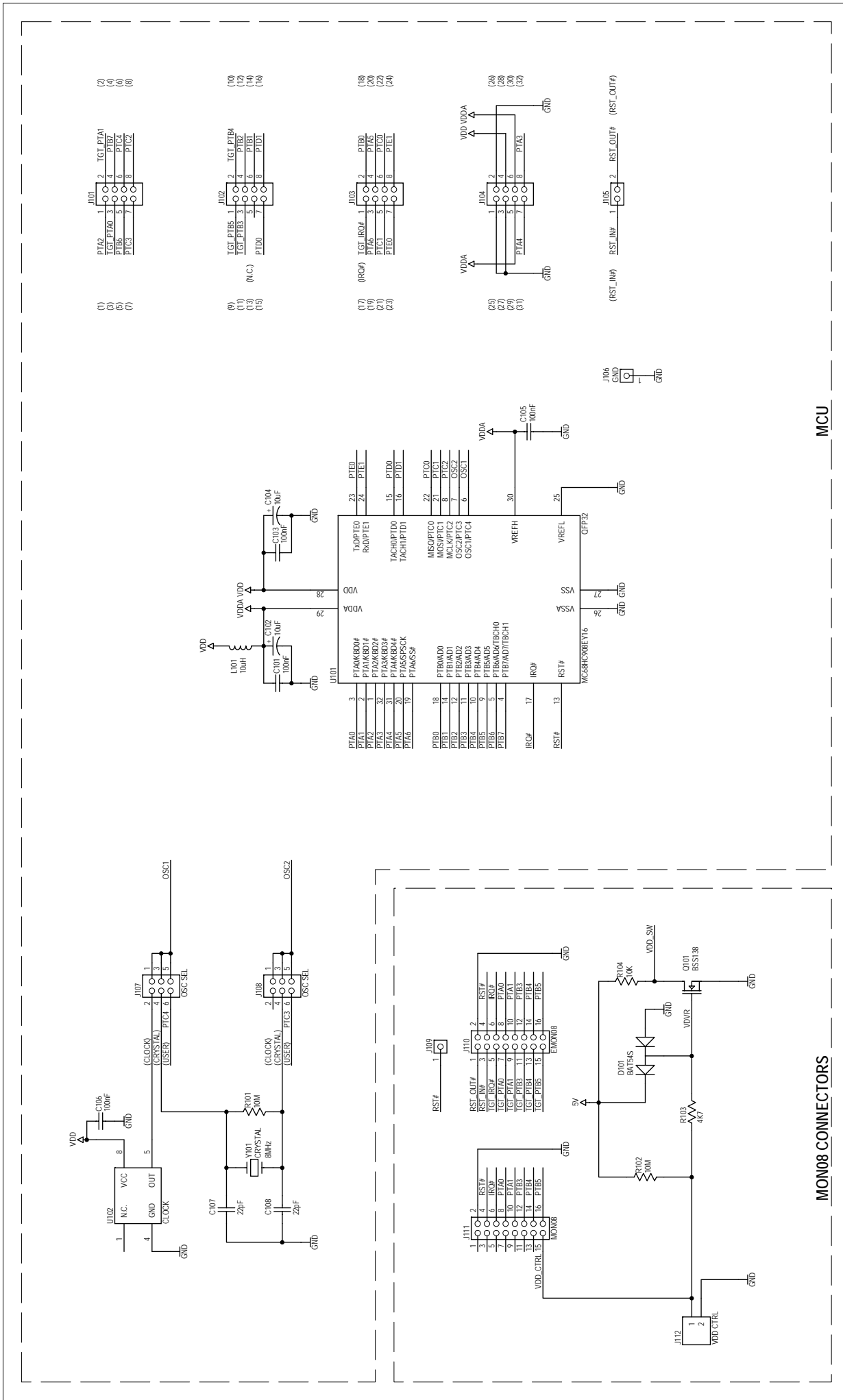


ZK-HC08EY-A

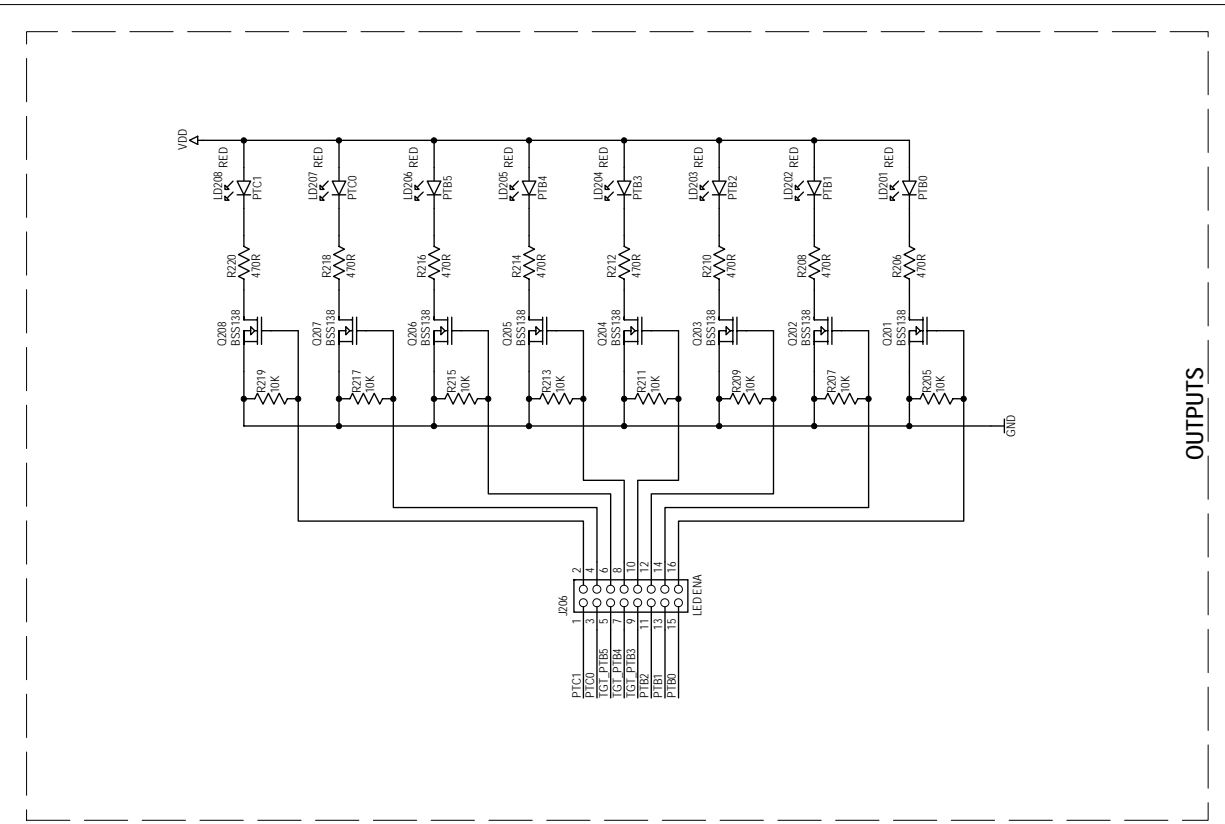
Schematic and Bill of Material

DC00914

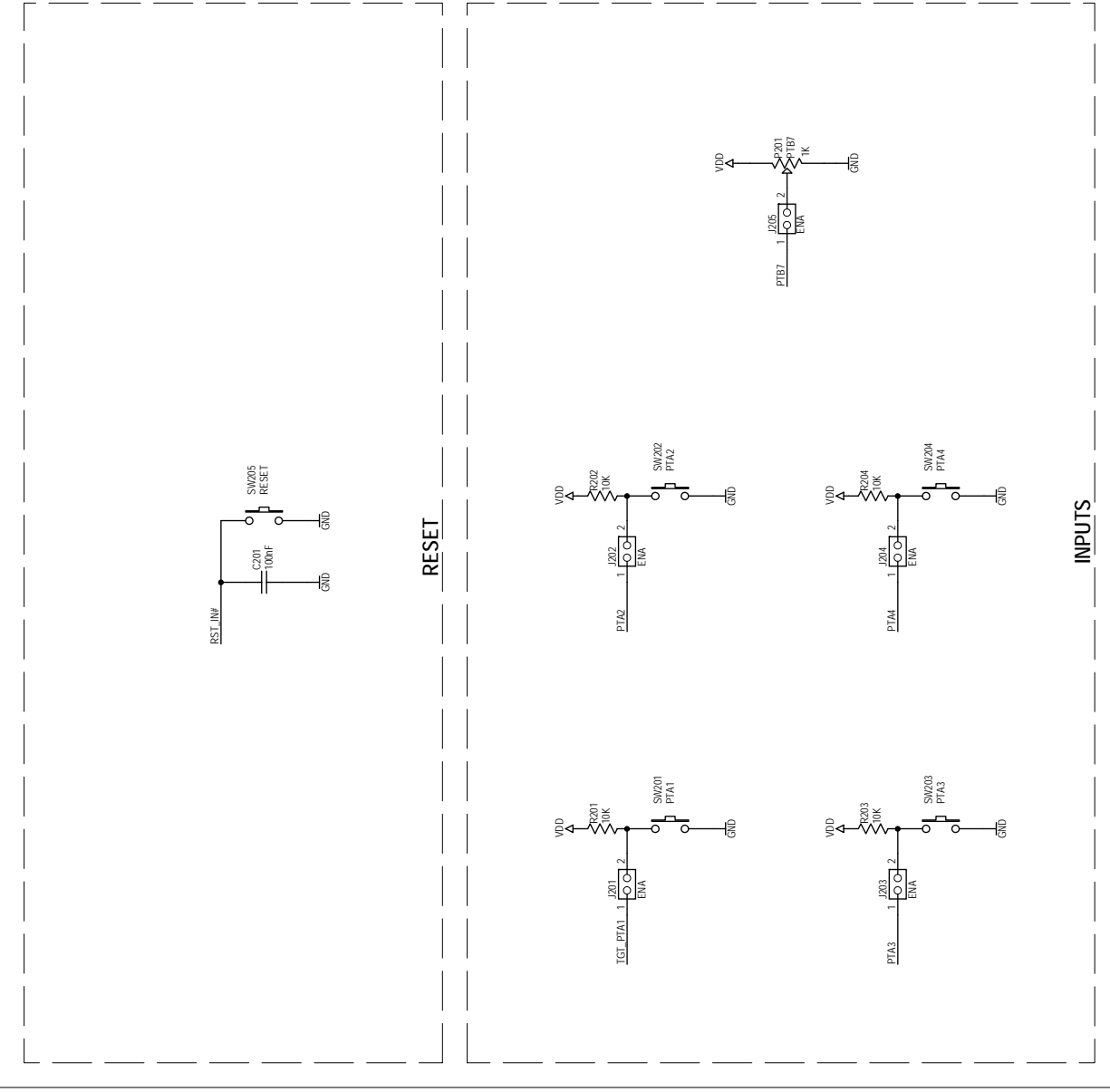


MON08 CONNECTORS

MCU

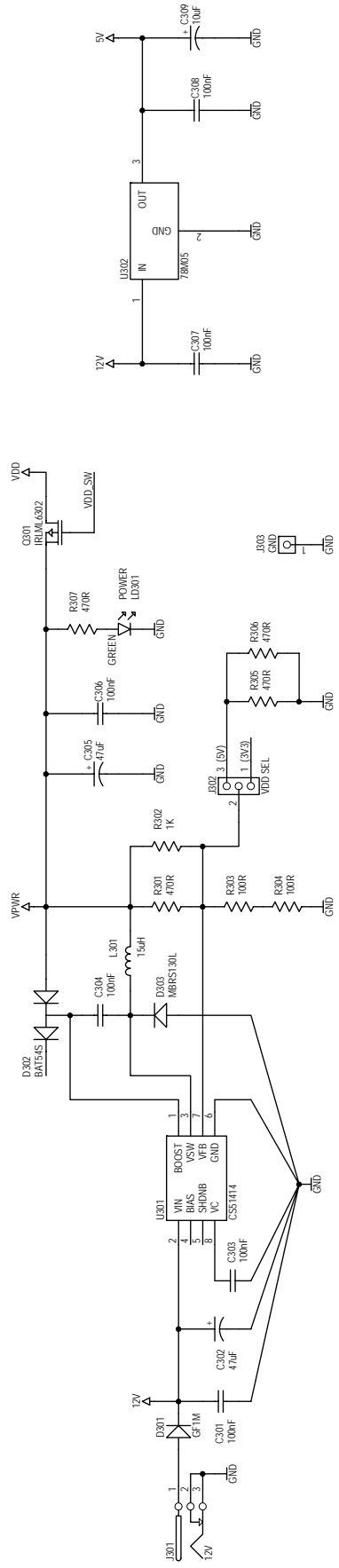


OUTPUTS

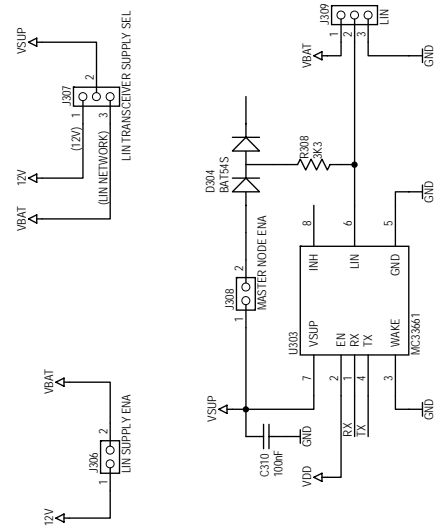


INPUTS

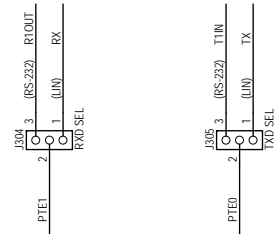
Downloaded from Elcodis.com electronic components distributor



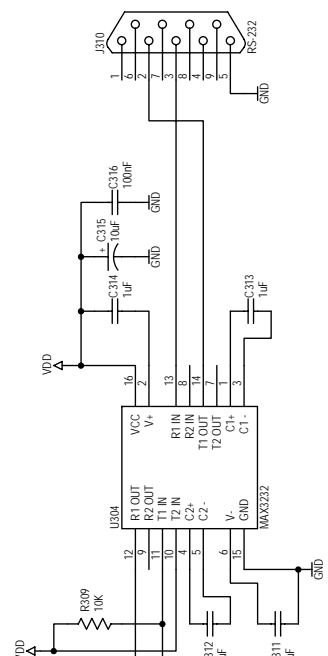
POWER SUPPLY



SERIAL SETTINGS



RS-232



ZK-HC08EY-A Bill of Material

Qty	Description	Ref. Designators	Vendor Part#
Capacitors			
18	Ceramic Capacitor 100nF X7R 50V 0805	C101, C103, C105, C106, C201, C301, C303, C304, C306, C307, C308, C310, C316, C403, C404, C406, C408, C409	Walsin, 0805B104K500CT
4	Ceramic Capacitor 1uF X7R 25V 0805	C311, C312, C313, C314	Walsin, 0805B105K250CT
4	Ceramic Capacitor 22pF NP0 50V 0805	C107, C108, C401, C402	Walsin, 0805N220K500CT
6	Tantalum Capacitor 10uF 16V size B	C102, C104, C309, C315, C405, C407	NIC Components, NTC-T106M16TRBF
2	Tantalum Capacitor 47uF 16V (low ESR) size D	C302, C305	NIC Components, NTC-L476M16TRD
Connectors			
1	AMP MODU II Connector AMP 2X1 male 180° PCB solder 2-way	J112	AMP, 280370-1
1	DC Power Connector 2.1 mm male 90° PCB mounting	J301	Samar, 22HP037
1	D-Sub Connector 9 pin female 90°	J310	Coxoc, 205A-09FSTUBE3
1	Header Connector 1x1 pin male gold straight 6mm pitch 2,54mm	J109	Coxoc, 307A-040GASAA3
8	Header Connector 2x1 pin male gold straight 6mm pitch 2,54mm	J105, J201, J202, J203, J204, J205, J306, J308	Coxoc, 307A-040GASAA3
5	Header Connector 3x1 pin male gold straight 6mm pitch 2,54mm	J302, J304, J305, J307, J309	Coxoc, 307A-040GASAA3
2	Header Connector 3x2 pin male gold straight 6mm pitch 2,54mm	J107, J108	Coxoc, 307A-080GBSAA3
4	Header Connector 4x2 pin male gold straight 6mm pitch 2,54mm	J101, J102, J103, J104	Coxoc, 307A-040GBSAA3
1	Header Connector 7x2 pin male gold straight 6mm pitch 2,54mm	J402	Coxoc, 307A-040GBSAA3
3	Header Connector 8x2 pin male gold straight 6mm pitch 2,54mm	J110, J111, J206	Coxoc, 307A-040GBSAA3
2	PCB Terminal Connector black 1,32mm	J106, J303	William Hughes, 100-103
28	Shunt jumper 2,54mm totally insulated black		Coxoc, 308A02PGBA003
1	USB Connector Receptacle Type B 90°	J401	Coxoc, 317A-04PSB0003
Crystals			
1	SMD Crystal 12MHz HC-49USMD (11x5x3)	Y401	Megatec, HC49/USM4-012M000000CR
1	SMD Crystal 8MHz HC-49USMD (11x5x3)	Y101	Megatec, HC49/USM4-008M000000CR
Diodes			
1	Rectifier Diode GF1M SMA	D301	Fairchild Semiconductor, GF1M
4	Schottky Diode BAT54S SOT23	D101, D302, D304, D401	Philips, BAT54S
1	Schottky Diode MBRS130L SMB	D303	On Semiconductor, MBRS130LT3G
1	Zener Diode BZX84 9.1V 1/4W SOT23	D402	Philips, BZX84-A9V1
Inductors			
1	SMD Inductor 10uH 150mA 1210	L101	TDK, NL322522T-100J
1	SMD Inductor 15uH 1,47A 2-pin	L301	Würth, 744777115
Integrated Circuits			
1	IC Microcontroller MC9S12UF32 LQFP64	U401	Freescale, MC9S12UF32PB
1	IC Transceiver LIN MC33661 SOIC8	U303	Freescale, MC33661D/R2
1	IC Transceiver RS-232 MAX3232 SOIC16	U304	STMicroelectronics, ST3232CD
1	IC Voltage Regulator CS51414 SOIC8	U301	On Semiconductor, CS51414G
1	IC Voltage Regulator LM78M05 5V TO252 (DPAK)	U302	National Semiconductor, LM78M05CDT
LEDs			

Qty	Description	Ref. Designators	Vendor Part#
1	SMD LED Green 1206	LD301	Agilent Technologies, HSMG-C150
8	SMD LED Red 1206	LD201, LD202, LD203, LD204, LD205, LD206, LD207, LD208	Agilent Technologies, HSMH-C150
Potentiometers			
1	Potentiometer 1K vertical adjust	P201	Phier, PT10MVP102A2020
Resistors			
1	SMD Resistor 1,5K 1% 0805	R403	Kamaya, RMC1/10K1501FTP
3	SMD Resistor 100K 1% 0805	R407, R418, R425	Kamaya, RMC1/10K1003FTP
9	SMD Resistor 100R 1% 0805	R303, R304, R409, R410, R411, R412, R413, R417, R426	Kamaya, RMC1/10K1000FTP
20	SMD Resistor 10K 1% 0805	R104, R201, R202, R203, R204, R205, R207, R209, R211, R213, R215, R217, R219, R309, R406, R414, R415, R419, R422, R424	Kamaya, RMC1/10K1002FTP
2	SMD Resistor 10M 1% 0805	R101, R102	Kamaya, RMC1/10K1005FTP
2	SMD Resistor 1K 1% 0805	R302, R423	Kamaya, RMC1/10K1001FTP
1	SMD Resistor 1M 1% 0805	R405	Kamaya, RMC1/10K1004FTP
2	SMD Resistor 3,3K 1% 0805	R308, R416	Kamaya, RMC1/10K3301FTP
2	SMD Resistor 33R 1% 0805	R401, R402	Kamaya, RMC1/10K33R0FTP
2	SMD Resistor 4,7K 1% 0805	R103, R408	Kamaya, RMC1/10K4701FTP
14	SMD Resistor 470R 1% 0805	R206, R208, R210, R212, R214, R216, R218, R220, R301, R305, R306, R307, R420, R421	Kamaya, RMC1/10K4700FTP
1	SMD Resistor 510R 1% 0805	R404	Kamaya, RMC1/10K5100FTP
Sockets			
1	IC Socket 4(8) pin tulip for oscillator module DIP4	U102	E-tec, COS-084-S001-01
1	ZIF IC Socket QFP32	U101	Yamaichi, IC51-1498AC-20545
Switches			
5	Push Button SMD	SW201, SW202, SW203, SW204, SW205	Augat, FSM4JSMA
Transistors			
14	NMOS Transistor BSS138 SOT23	Q101, Q201, Q202, Q203, Q204, Q205, Q206, Q207, Q208, Q402, Q403, Q404, Q406, Q407	On Semiconductor, BSS138LT1G
3	PMOS Transistor IRLML6302 SOT23	Q301, Q401, Q405	International Rectifier, IRLML6302TRPBF