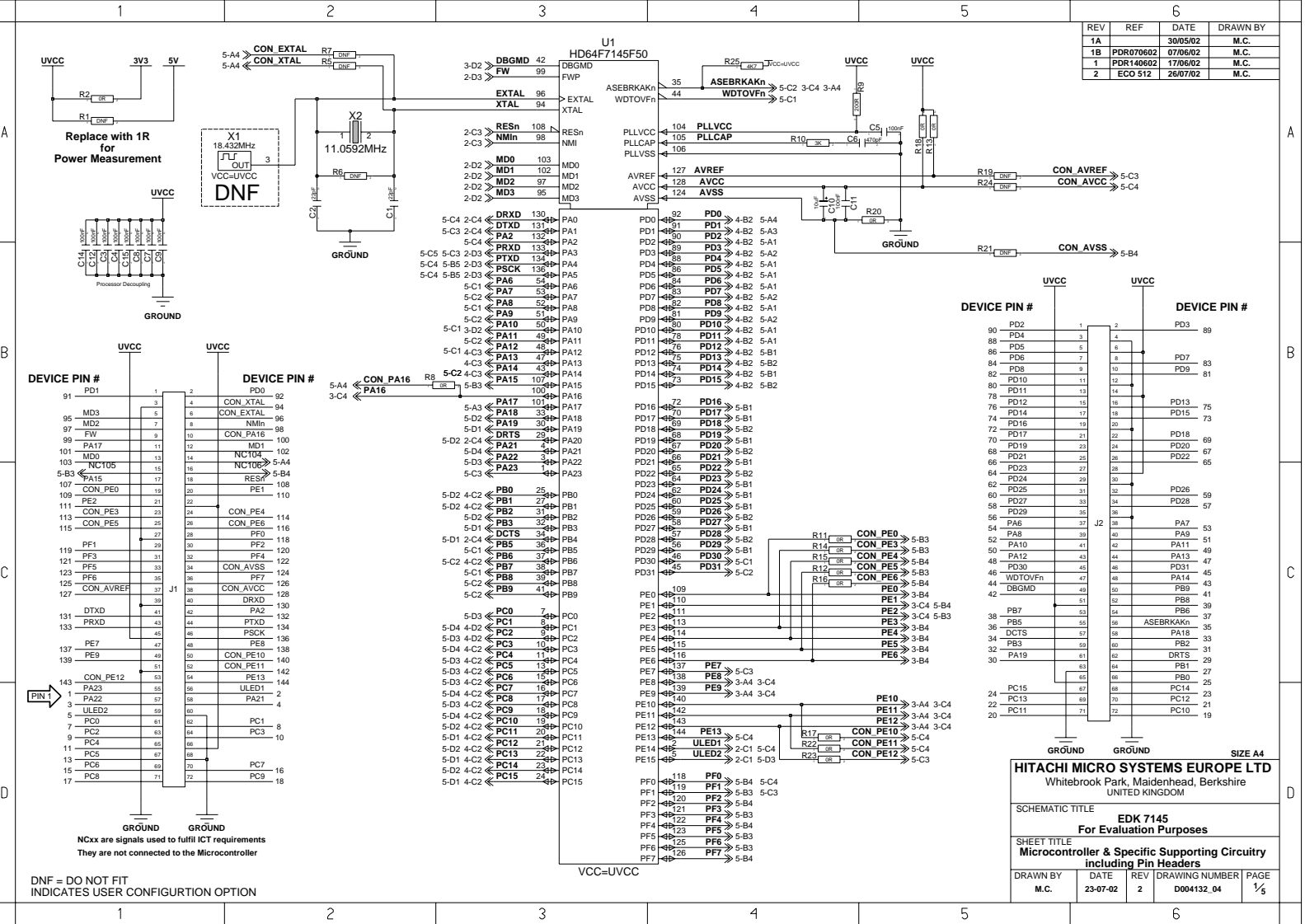


REV	REF	DATE	DRAWN BY
1A		30/05/02	M.C.
1B	PDR070602	07/06/02	M.C.
1	PDR140602	17/06/02	M.C.
2	ECO 512	26/07/02	M.C.



DEVICE PIN #	1	2	3	4	5	6	7	8	9	10	11	12	13	14	15	16	17	18	19	20	21	22	23	24	25	26	27	28	29	30	31	32	33	34	35	36	37	38	39	40	41	42	43	44	45	46	47	48	49	50	51	52	53	54	55	56	57	58	59	60	61	62	63	64	65	66	67	68	69	70	71	72	73	74	75	76	77	78	79	80	81	82	83	84	85	86	87	88	89	
PD0	PD1	PD2	PD3	PD4	PD5	PD6	PD7	PD8	PD9	PD10	PD11	PD12	PD13	PD14	PD15	PD16	PD17	PD18	PD19	PD20	PD21	PD22	PD23	PD24	PD25	PD26	PD27	PD28	PD29	PD30	PD31	PD32	PD33	PD34	PD35	PD36	PD37	PD38	PD39	PD40	PD41	PD42	PD43	PD44	PD45	PD46	PD47	PD48	PD49	PD50	PD51	PD52	PD53	PD54	PD55	PD56	PD57	PD58	PD59	PD60	PD61	PD62	PD63	PD64	PD65	PD66	PD67	PD68	PD69	PD70	PD71	PD72	PD73	PD74	PD75	PD76	PD77	PD78	PD79	PD80	PD81	PD82	PD83	PD84	PD85	PD86	PD87	PD88	PD89	PD90

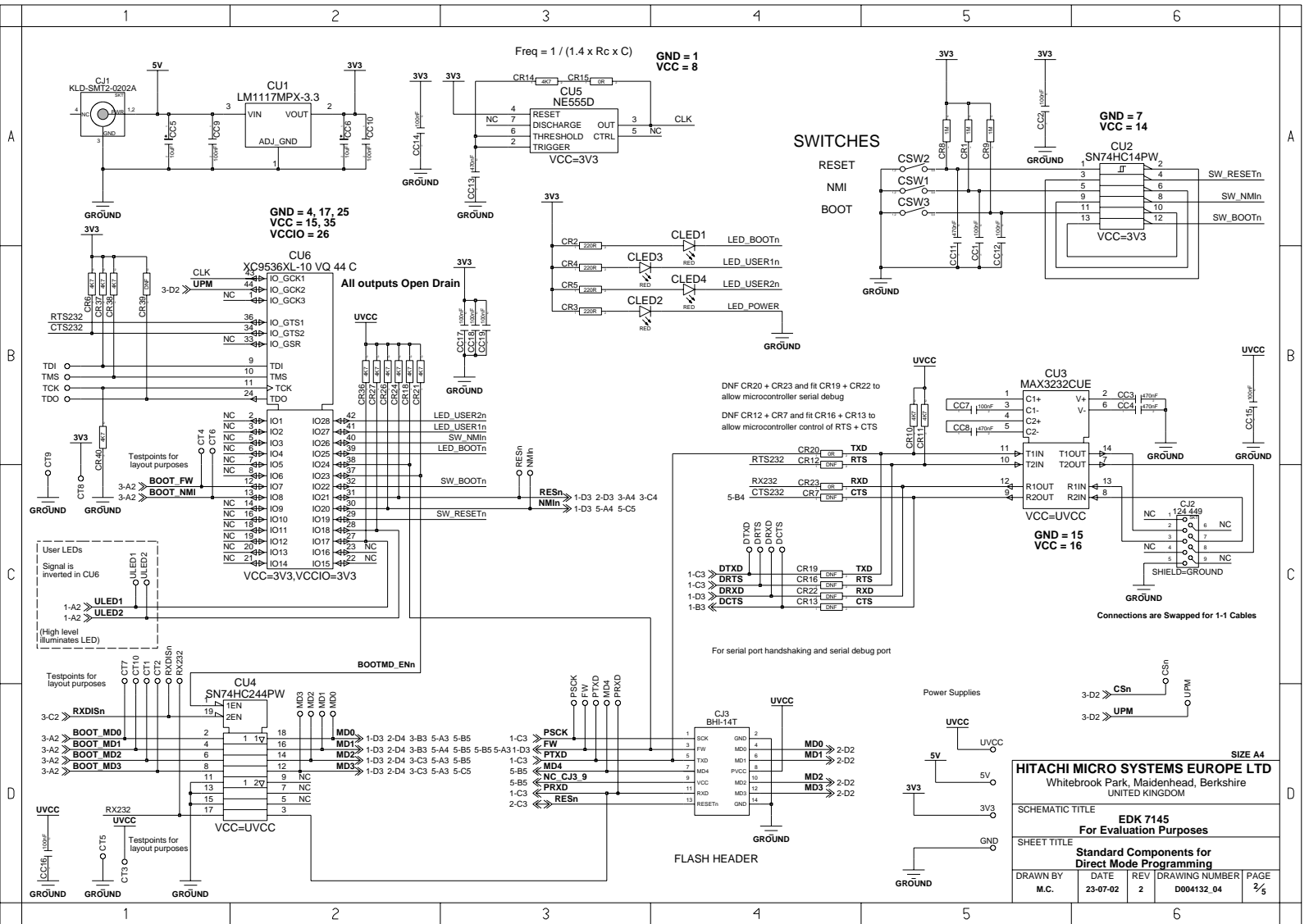
**HITACHI MICRO SYSTEMS EUROPE LTD**  
 Whitebrook Park, Maidenhead, Berkshire  
 UNITED KINGDOM

**EDK 7145**  
 For Evaluation Purposes

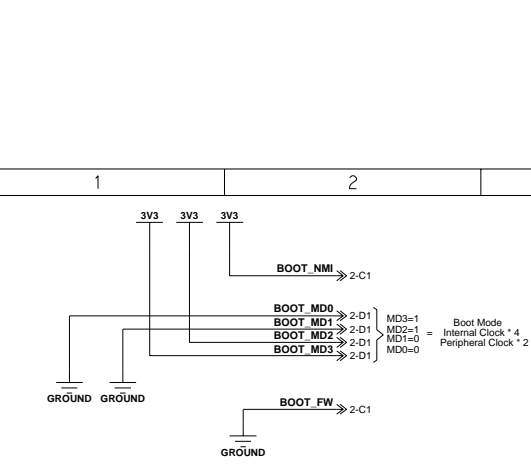
**Microcontroller & Specific Supporting Circuitry**  
 including Pin Headers

DRAWN BY	DATE	REV	DRAWING NUMBER	PAGE
M.C.	23-07-02	2	D004132_04	1/5

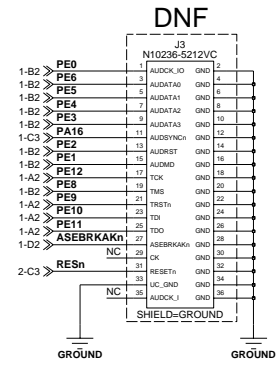
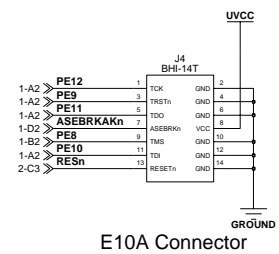
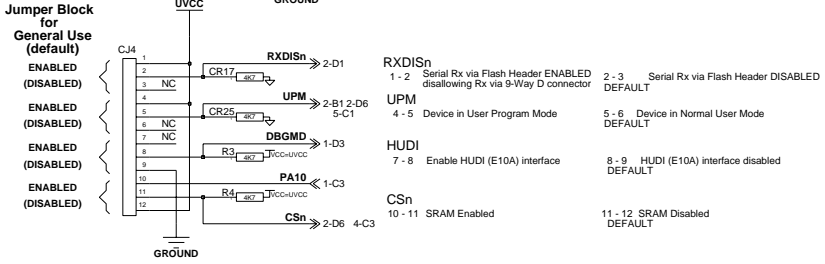
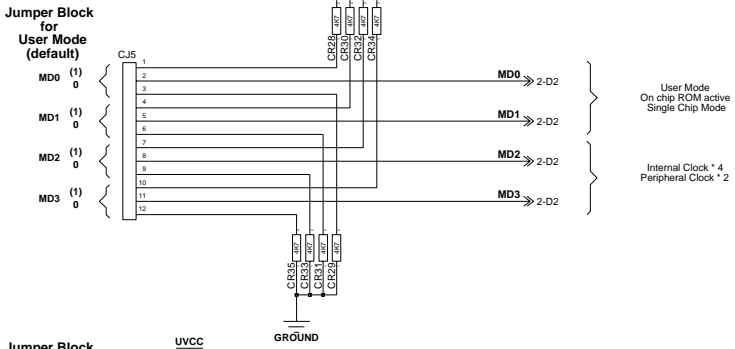
DNF = DO NOT FIT  
 INDICATES USER CONFIGURTION OPTION



SIZE A4			
<b>HITACHI MICRO SYSTEMS EUROPE LTD</b>			
Whitebrook Park, Maidenhead, Berkshire UNITED KINGDOM			
SCHEMATIC TITLE		<b>EDK 7145</b>	
		<b>For Evaluation Purposes</b>	
SHEET TITLE			
<b>Standard Components for Direct Mode Programming</b>			
DRAWN BY	DATE	REV	DRAWING NUMBER
M.C.	23-07-02	2	D004132_04
			PAGE
			3/5



USER MODE JUMPERS			
1 - 2	MD0 = 1	2 - 3	MD0 = 0
4 - 5	MD1 = 1	5 - 6	MD1 = 0
7 - 8	MD2 = 1	8 - 9	MD2 = 0
10 - 11	MD3 = 1	11 - 12	MD3 = 0



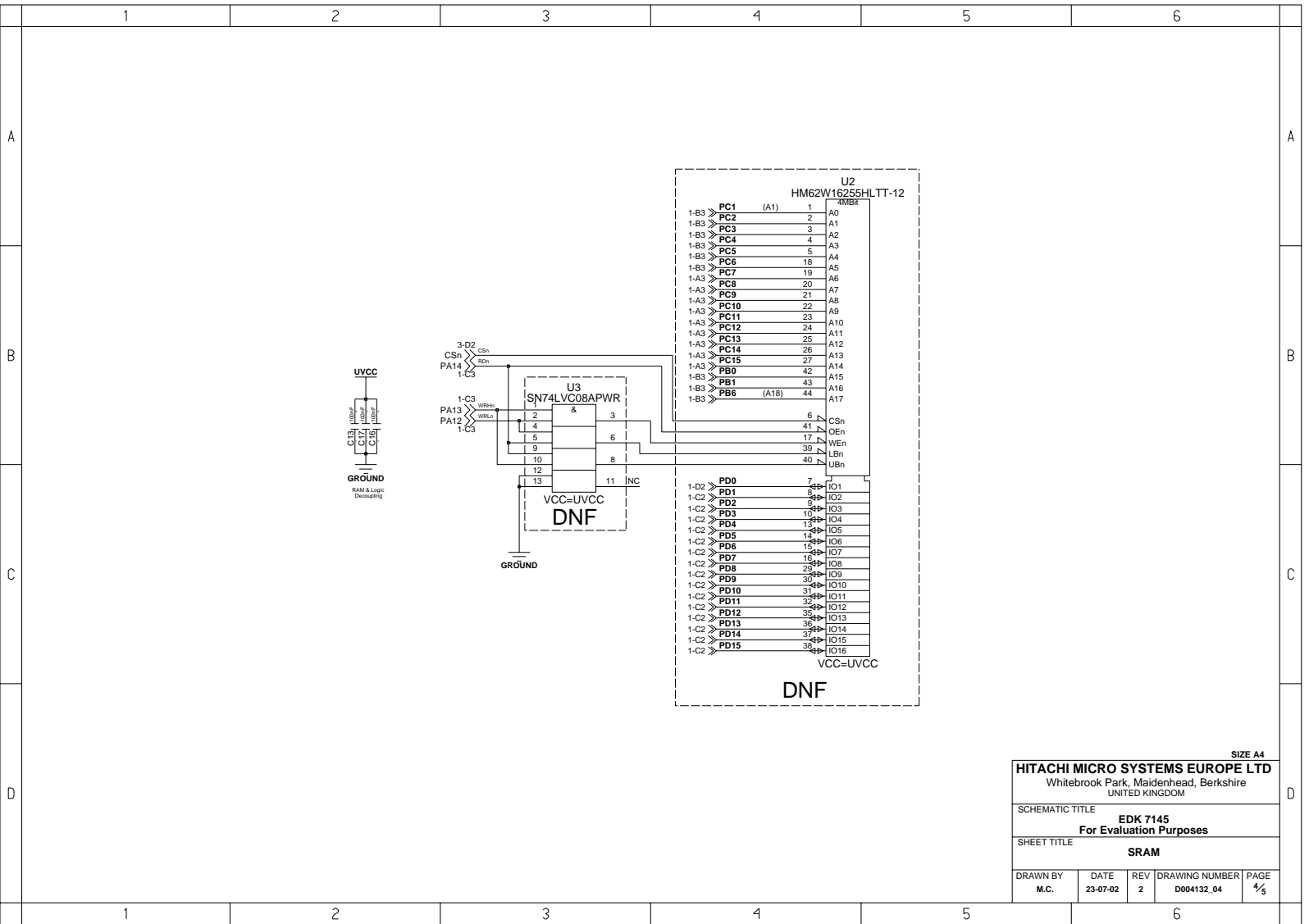
SIZE A4

**HITACHI MICRO SYSTEMS EUROPE LTD**  
Whitebrook Park, Maidenhead, Berkshire  
UNITED KINGDOM

SCHEMATIC TITLE **EDK 7145**  
**For Evaluation Purposes**

SHEET TITLE **Mode and Option Selection**  
**Debug Connectors**

DRAWN BY	DATE	REV	DRAWING NUMBER	PAGE
M.C.	23-07-02	2	D004132_04	3/5



SIZE A4

**HITACHI MICRO SYSTEMS EUROPE LTD**  
Whitebrook Park, Maidenhead, Berkshire  
UNITED KINGDOM

SCHEMATIC TITLE **EDK 7145**  
**For Evaluation Purposes**

SHEET TITLE **SRAM**

DRAWN BY	DATE	REV	DRAWING NUMBER	PAGE
M.C.	23-07-02	2	D004132_04	4/5

