

### Analog Peripherals

#### 12-Bit ADC

- No missing codes
- Programmable throughput up to 100 ksps
- 32 external inputs (each port I/O can be configured as an ADC input on-the-fly)
- Programmable amplifier gain: 16, 8, 4, 2, 1, 0.5
- Data-dependent windowed interrupt generator
- $V_{REF}$  from external pin or  $V_{DD}$

#### Two comparators

- Programmable hysteresis
- Configurable to generate interrupts or reset

#### $V_{DD}$ Monitor and Brown-out Detector

#### On-Chip JTAG Debug

- On-chip emulation circuitry facilitates full-speed, non-intrusive, in-circuit emulation
- Supports breakpoints, single stepping, watchpoints, inspect/modify memory, and registers
- Superior performance to emulation systems using ICE-chips, target pods, and sockets
- Fully compliant with IEEE 1149.1 specification

#### Supply Voltage: 2.7 to 3.6 V

- Typical operating current: 9 mA at 25 MHz
- Typical stop mode current:  $<0.1 \mu A$

#### Temperature Range: -40 to +85 °C

### High-Speed 8051 $\mu C$ Core

- Pipelined instruction architecture; executes 70% of instructions in 1 or 2 system clocks
- Up to 25 MIPS throughput with 25 MHz system clock
- Expanded interrupt handler; up to 21 interrupt sources

### Memory

- 1280 bytes data RAM
- 8 kB Flash; in-system programmable in 512 byte sectors (512 bytes are reserved)

### Digital Peripherals

- 32 port I/O; all are 5 V tolerant
- Hardware SPI™ and UART serial ports available concurrently
- 3 general-purpose 16-bit counter/timers
- Dedicated watchdog timer; bidirectional reset

### Clock Sources

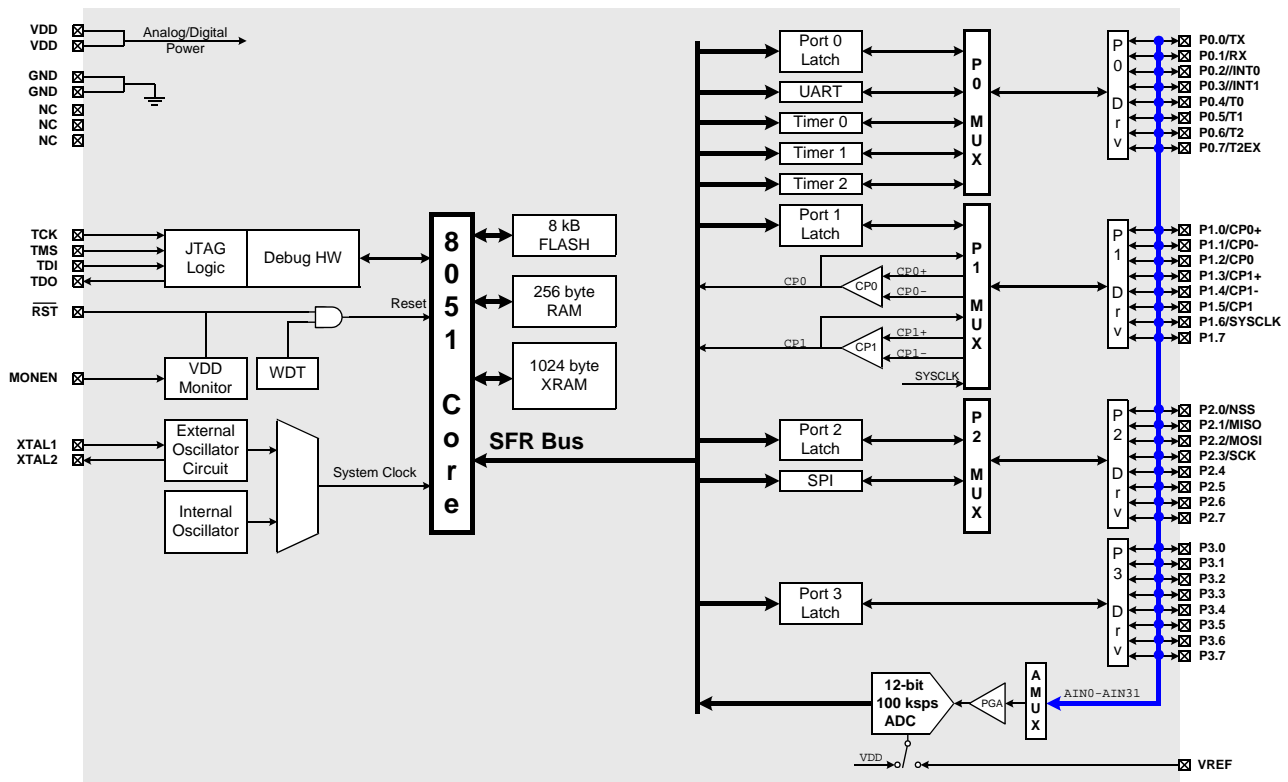
- Internal programmable oscillator: 2–16 MHz
- External oscillator: Crystal, RC, C, or Clock
- Can switch between clock sources on-the-fly

### Package

- 48-pin TQFP

### Ordering Part Numbers

- Lead-free package: C8051F206-GQ

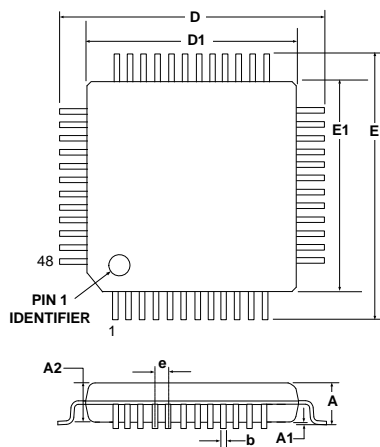


### Selected Electrical Specifications

( $T_A = -40$  to  $+85$  °C,  $V_{DD} = 2.7$  V unless otherwise specified)

PARAMETER	CONDITIONS	MIN	TYP	MAX	UNITS
<b>GLOBAL CHARACTERISTICS</b>					
Digital Supply Voltage		2.7		3.6	V
Digital Supply Current with CPU active	Clock = 25 MHz Clock = 1 MHz Clock = 32 kHz; $V_{DD}$ Monitor Enabled		9 0.4 20		mA mA $\mu$ A
Digital Supply Current (shutdown)	Oscillator not running; $V_{DD}$ Monitor Enabled Oscillator not running; $V_{DD}$ Monitor Disabled		10 0.1		$\mu$ A $\mu$ A
Digital Supply RAM Data Retention Voltage			1.5		V
<b>CPU &amp; DIGITAL I/O PORTS</b>					
Clock Frequency Range		DC		25	MHz
Port Output High Voltage	$I_{OH} = -3$ mA, Port I/O push-pull	$V_{DD} - 0.7$			V
Port Output Low Voltage	$I_{OL} = 8.5$ mA			0.6	V
Input High Voltage		$0.7 \times V_{DD}$			V
Input Low Voltage				$0.3 \times V_{DD}$	V
SPI Bus Clock Frequency	fCLK=MCU Clock; SPI Master Mode			fCLK/2	MHz
<b>A/D CONVERTER</b>					
Resolution			12		bits
Integral Nonlinearity			$\pm 1$	$\pm 2$	LSB
Differential Nonlinearity	Guaranteed Monotonic			$\pm 1$	LSB
Signal-to-Noise Plus Distortion		64			dB
Throughput Rate				100	ksps
Input Voltage Range		0		$V_{REF}$	V
<b>COMPARATORS</b>					
Supply Current	(each Comparator)		1.3		$\mu$ A
Response Time	$ CP+ - CP-  = 100$ mV		4		$\mu$ s
Input Voltage Range		-0.25		$V_{DD} + 0.25$	V
Input Bias Current		-5	0.001	+5	nA
Input Offset Voltage		-10		+10	mV

### Package Information



	MIN (mm)	NOM (mm)	MAX (mm)
A	-	-	1.20
A1	0.05	-	0.15
A2	0.95	1.00	1.05
b	0.17	0.22	0.27
D	-	9.00	-
D1	-	7.00	-
e	-	0.50	-
E	-	9.00	-
E1	-	7.00	-

### C8051F206DK Development Kit

